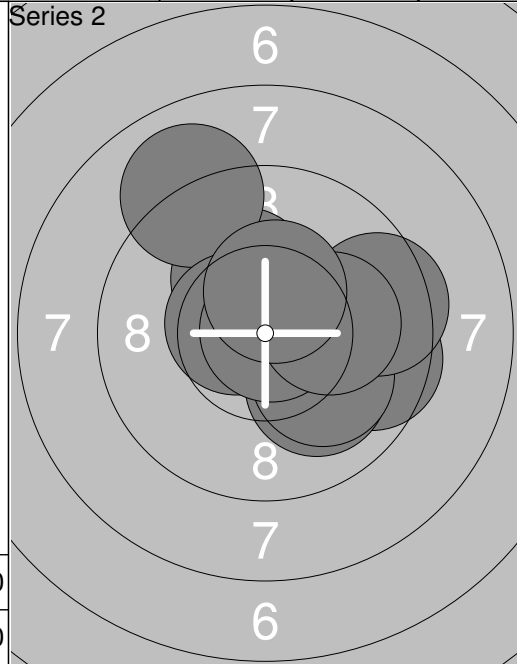
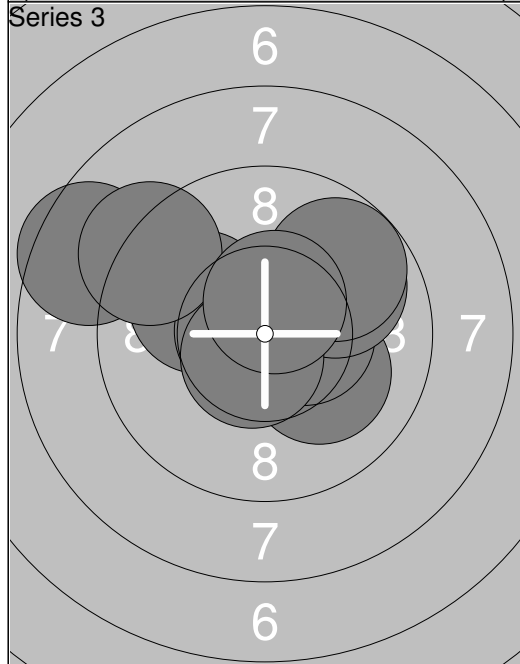


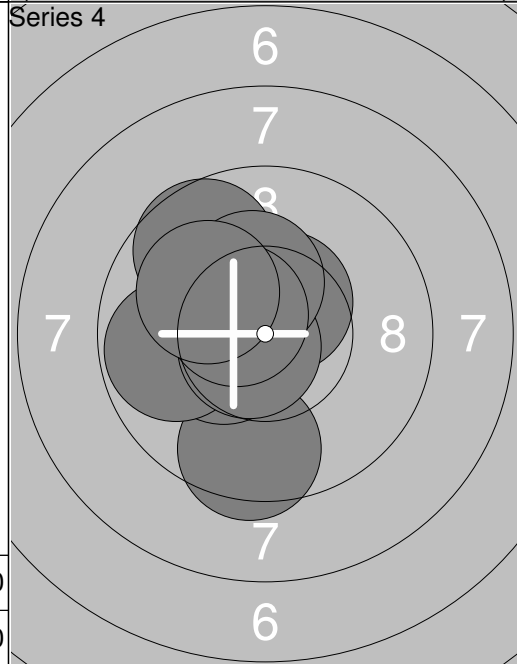
1:	10.7x	↘
2:	10.2x	↗
3:	10.6x	↘
4:	10.5x	↘
5:	10.6x	→
6:	9.2	↖
7:	9.7	←
8:	10.6x	←
9:	9.9	↗
10:	9.9	↘
<b>Series</b>		<b>96.0</b>
<b>Total</b>		<b>96.0</b>



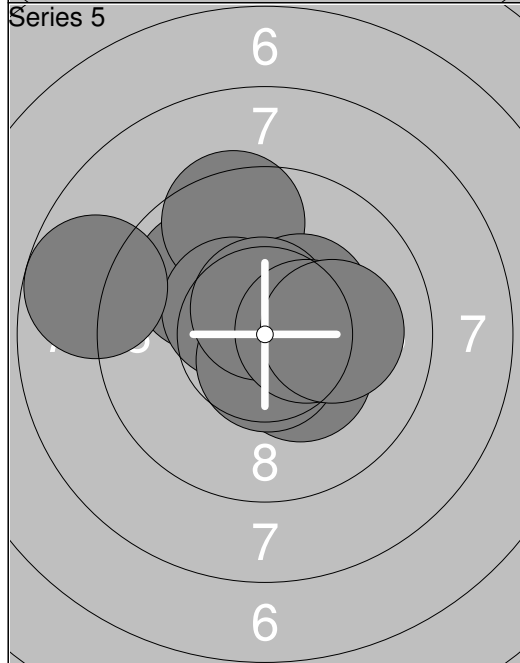
11:	9.6	→
12:	10.1	↘
13:	10.1	↘
14:	10.2x	↗
15:	9.0	↖
16:	9.5	→
17:	10.6x	↖
18:	10.9x	↗
19:	10.1	→
20:	10.4x	↗
<b>Series</b>		<b>97.0</b>
<b>Total</b>		<b>193.0</b>



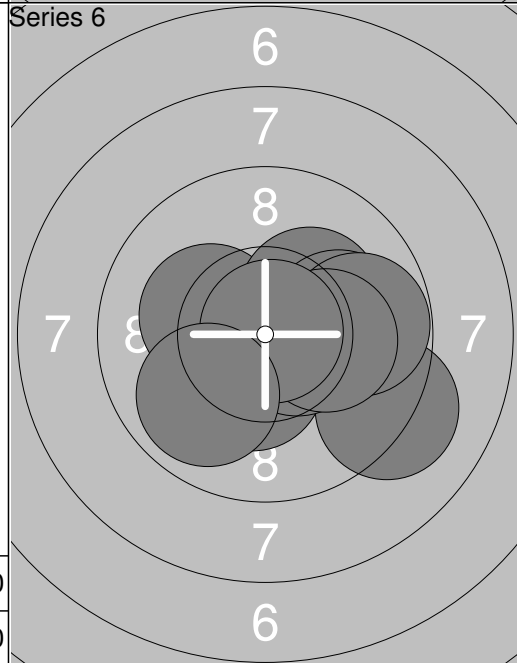
21:	10.1	↖
22:	8.5	↖
23:	10.7x	↖
24:	9.2	↖
25:	10.1	↘
26:	10.5x	→
27:	9.9	↗
28:	9.8	↗
29:	10.6x	↘
30:	10.5x	↗
<b>Series</b>		<b>95.0</b>
<b>Total</b>		<b>288.0</b>



31:	9.5	↘
32:	10.5x	↗
33:	10.5x	↖
34:	9.7	↖
35:	10.4x	↖
36:	9.8	←
37:	10.7x	↖
38:	10.3x	↗
39:	10.5x	↖
40:	10.0	↖
<b>Series</b>		<b>97.0</b>
<b>Total</b>		<b>385.0</b>



41:	9.9	↖
42:	10.3x	↘
43:	9.5	↗
44:	10.4x	↖
45:	10.6x	↘
46:	8.8	←
47:	10.4x	↗
48:	10.6x	↗
49:	10.4x	→
50:	10.1	→
<b>Series</b>		<b>96.0</b>
<b>Total</b>		<b>481.0</b>

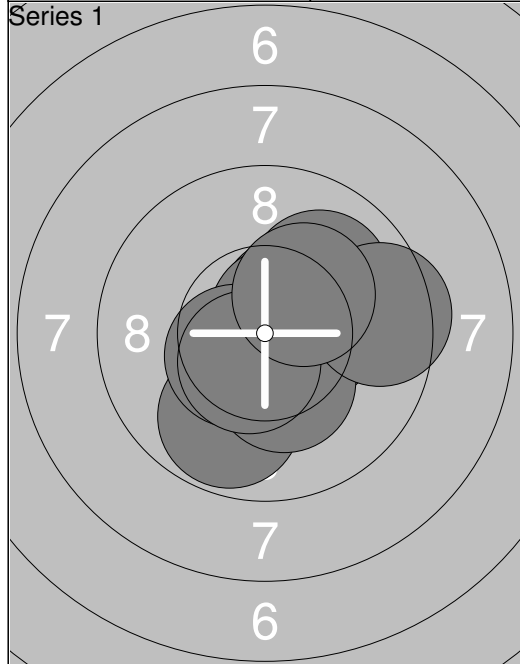


51:	10.2x	↖
52:	10.3x	↗
53:	10.0	→
54:	9.2	↘
55:	9.8	→
56:	10.4x	↘
57:	10.5x	→
58:	10.2x	→
59:	10.8x	↗
60:	9.9	↖
<b>Series</b>		<b>97.0</b>
<b>Total</b>		<b>578.0</b>

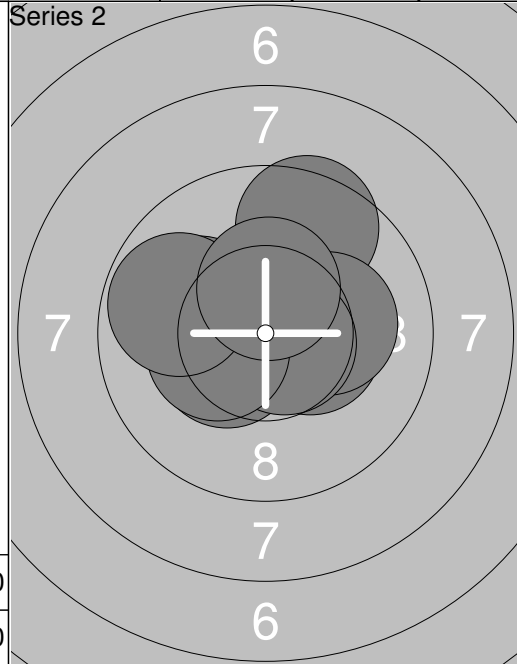
<p><b>Series 1</b></p>	<p>1: 9.7 →</p> <p>2: 10.1 ↗</p> <p>3: 10.2x ↘</p> <p>4: 9.6 ↖</p> <p>5: 10.4x →</p> <p>6: 10.1 ↗</p> <p>7: 10.0 ↗</p> <p>8: 9.8 ↘</p> <p>9: 9.5 ↘</p> <p>10: 9.8 ←</p>	<p><b>Series 2</b></p>	<p>11: 8.8 ↘</p> <p>12: 9.9 →</p> <p>13: 10.3x →</p> <p>14: 10.2x ↗</p> <p>15: 10.0 ↘</p> <p>16: 10.2x ↘</p> <p>17: 10.6x →</p> <p>18: 10.3x ↘</p> <p>19: 10.2x ↘</p> <p>20: 9.7 ←</p>
Series 95.0	Series 96.0	Series 96.0	Series 96.0
Total 95.0	Total 191.0	Total 191.0	Total 191.0

<p><b>Series 3</b></p>	<p>21: 10.5x →</p> <p>22: 9.9 →</p> <p>23: 9.6 ↗</p> <p>24: 10.0 ↑</p> <p>25: 9.7 →</p> <p>26: 10.6x →</p> <p>27: 10.9x ↗</p> <p>28: 8.8 ←</p> <p>29: 10.2x ↘</p> <p>30: 10.0 ↘</p>	<p><b>Series 4</b></p>	<p>31: 10.2x ↗</p> <p>32: 10.2x ↑</p> <p>33: 9.7 ↘</p> <p>34: 9.3 ↘</p> <p>35: 10.4x →</p> <p>36: 10.2x →</p> <p>37: 10.3x ←</p> <p>38: 10.1 →</p> <p>39: 10.2x ↗</p> <p>40: 10.0 →</p>
Series 95.0	Series 98.0	Series 98.0	Series 98.0
Total 286.0	Total 384.0	Total 384.0	Total 384.0

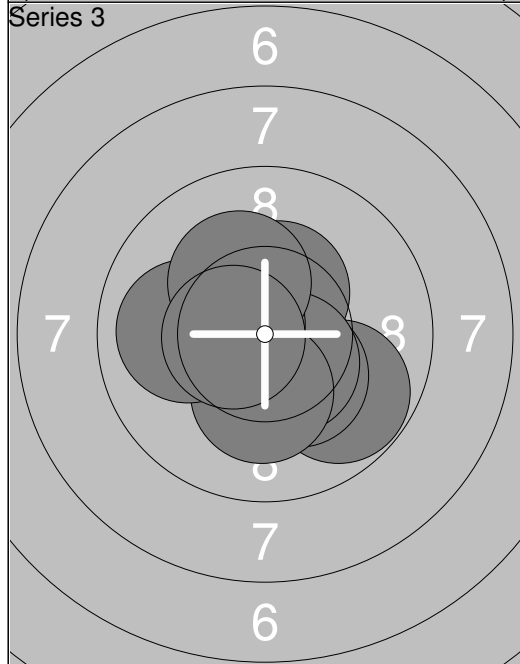
<p><b>Series 5</b></p>	<p>41: 10.5x ←</p> <p>42: 10.5x ↗</p> <p>43: 10.7x ↘</p> <p>44: 10.6x ↑</p> <p>45: 9.4 →</p> <p>46: 10.5x ↑</p> <p>47: 9.3 ←</p> <p>48: 9.7 ↑</p> <p>49: 9.8 ↑</p> <p>50: 10.3x ↘</p>	<p><b>Series 6</b></p>	<p>51: 10.5x ↘</p> <p>52: 10.0 ↗</p> <p>53: 8.9 →</p> <p>54: 10.4x ↗</p> <p>55: 10.0 ←</p> <p>56: 10.0 ↘</p> <p>57: 9.8 →</p> <p>58: 10.5x ↘</p> <p>59: 9.3 →</p> <p>60: 10.3x ↑</p>
Series 96.0	Series 96.0	Series 96.0	Series 96.0
Total 480.0	Total 576.0	Total 576.0	Total 576.0



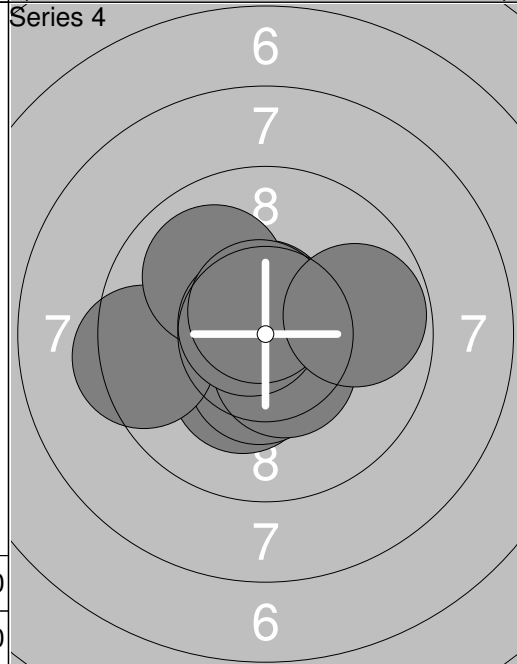
1:	10.5x ↗
2:	9.8 ↓
3:	10.0 ↗
4:	10.7x ↗
5:	10.5x ↙
6:	10.4x →
7:	10.3x ↓
8:	9.5 →
9:	10.5x ↙
10:	10.3x ↗
Series	98.0
Total	98.0



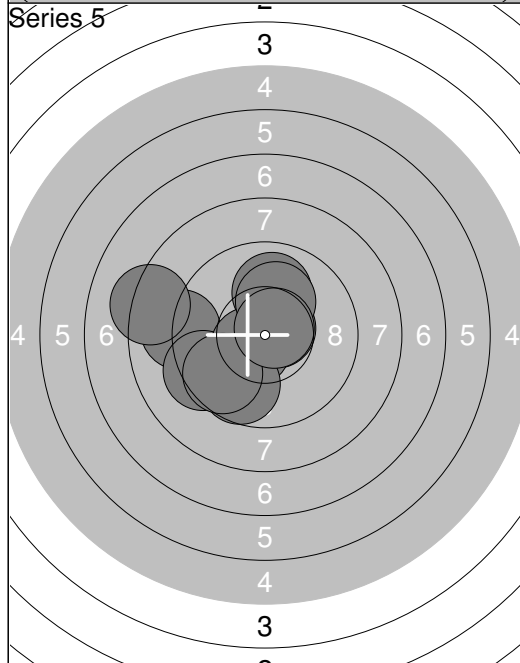
11:	10.1 ↙
12:	10.4x →
13:	10.8x ↙
14:	9.5 ↑
15:	10.2x →
16:	10.4x ↙
17:	10.7x →
18:	10.3x ↙
19:	9.8 ↙
20:	10.4x ↑
Series	98.0
Total	196.0



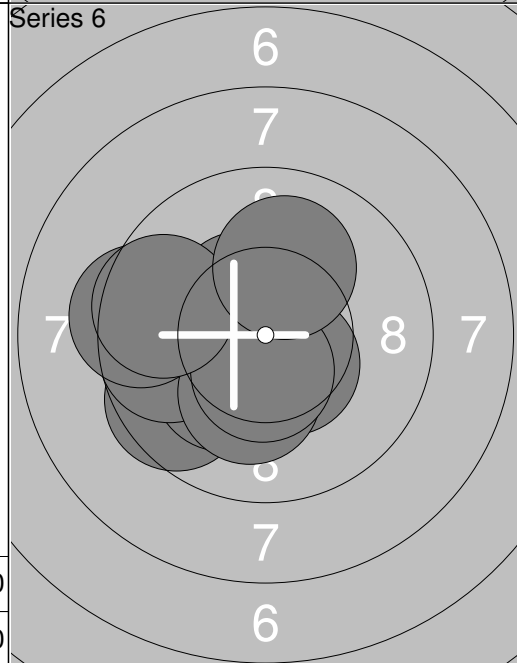
21:	10.5x ↙
22:	9.8 ↘
23:	10.3x ↘
24:	10.4x ↑
25:	10.5x ↘
26:	10.2x ↓
27:	10.5x ↙
28:	10.0 ←
29:	10.2x ↗
30:	10.5x ←
Series	99.0
Total	295.0



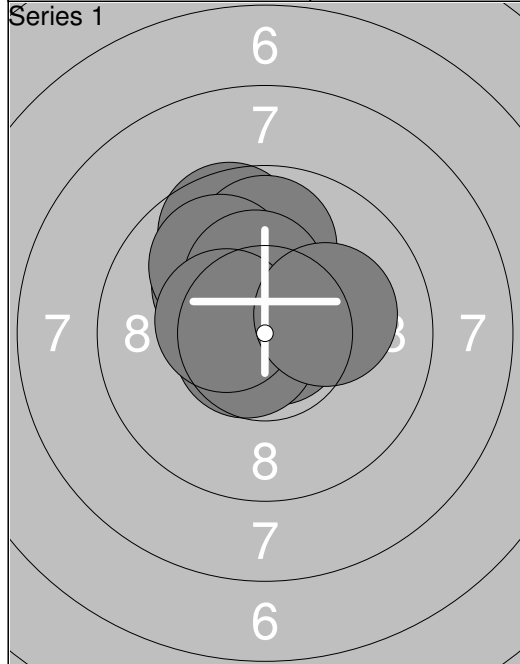
31:	10.3x ↙
32:	10.8x ↗
33:	10.4x ↓
34:	10.7x ↑
35:	10.5x ↘
36:	9.4 ←
37:	10.0 ↖
38:	10.7x ↖
39:	10.7x ↑
40:	9.8 →
Series	98.0
Total	393.0



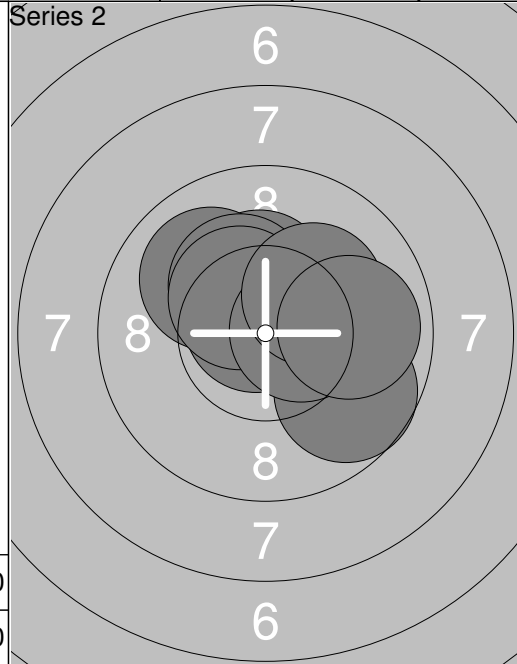
41:	9.0 ←
42:	9.3 ↙
43:	10.0 ↑
44:	10.6x ↗
45:	10.5x ↙
46:	9.7 ↓
47:	10.1 ↑
48:	8.3 ←
49:	9.7 ↙
50:	10.7x ↗
Series	94.0
Total	487.0



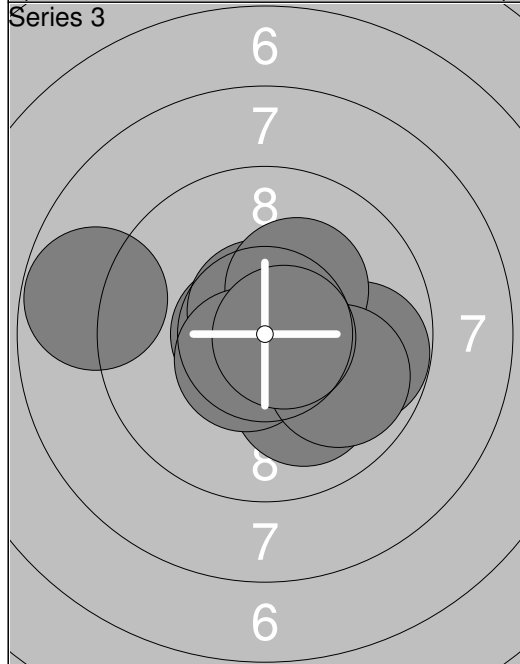
51:	9.6 ↙
52:	10.5x ↘
53:	10.2x ↙
54:	9.7 ←
55:	10.2x ↓
56:	9.4 ←
57:	10.5x ↖
58:	10.5x ↓
59:	9.6 ↙
60:	10.1 ↑
Series	96.0
Total	583.0



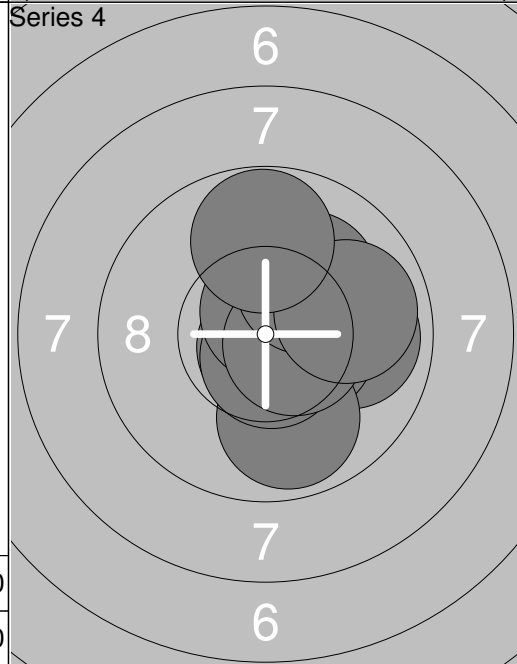
1:	9.6	↗
2:	10.8x	→
3:	10.1	↖
4:	10.6x	↑
5:	10.7x	↙
6:	9.9	↑
7:	9.9	↖
8:	10.3x	↑
9:	10.4x	↙
10:	10.2x	→
<b>Series</b>		<b>97.0</b>
<b>Total</b>		<b>97.0</b>



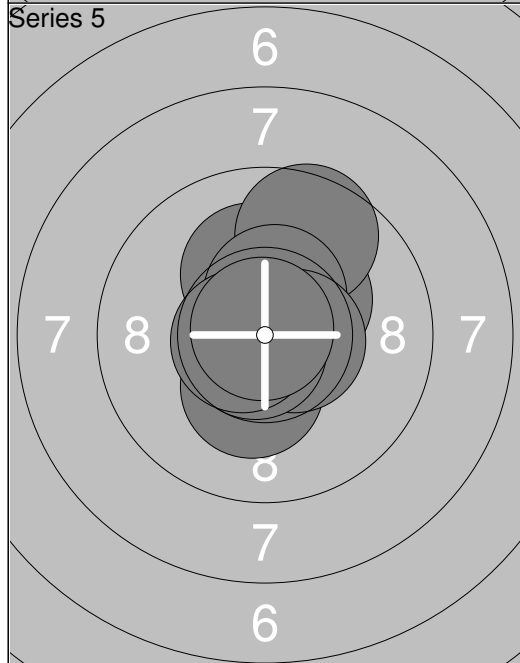
11:	10.6x	↑
12:	10.3x	↑
13:	10.0	↖
14:	10.3x	↖
15:	10.8x	↖
16:	10.4x	↖
17:	9.7	↘
18:	10.5x	→
19:	10.2x	↗
20:	9.9	→
<b>Series</b>		<b>98.0</b>
<b>Total</b>		<b>195.0</b>



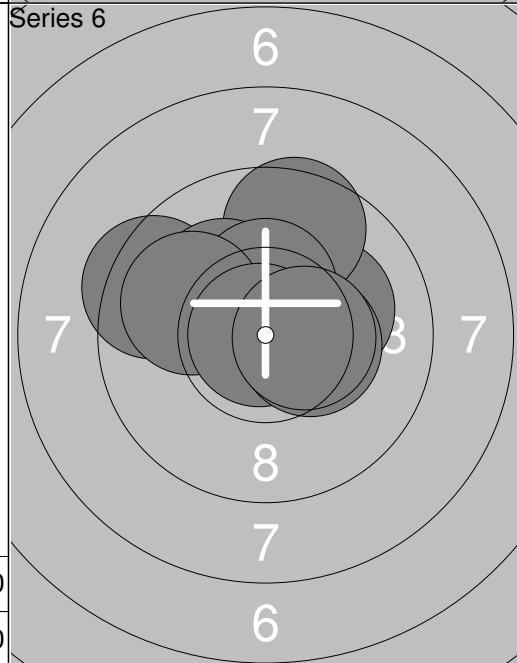
21:	9.8	→
22:	10.0	↘
23:	10.7x	←
24:	10.8x	↑
25:	10.6x	↑
26:	10.3x	↗
27:	10.5x	↙
28:	9.9	↘
29:	8.8	←
30:	10.7x	→
<b>Series</b>		<b>96.0</b>
<b>Total</b>		<b>291.0</b>



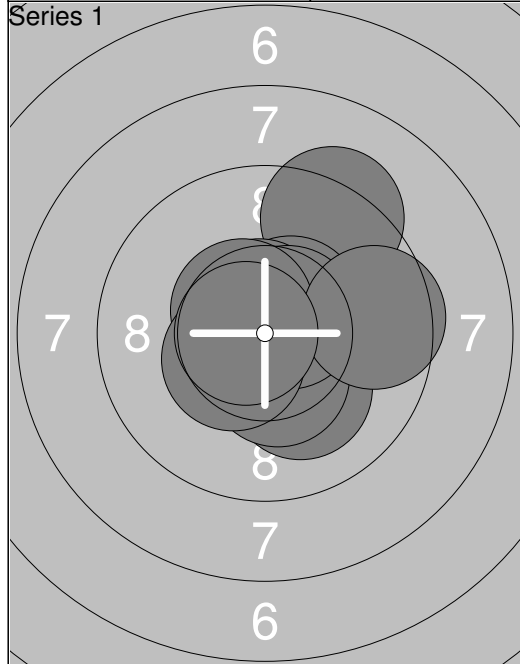
31:	10.8x	↘
32:	9.9	→
33:	10.4x	→
34:	9.9	↘
35:	10.7x	↘
36:	10.6x	↑
37:	10.6x	→
38:	10.1	↗
39:	9.9	→
40:	9.8	↑
<b>Series</b>		<b>96.0</b>
<b>Total</b>		<b>387.0</b>



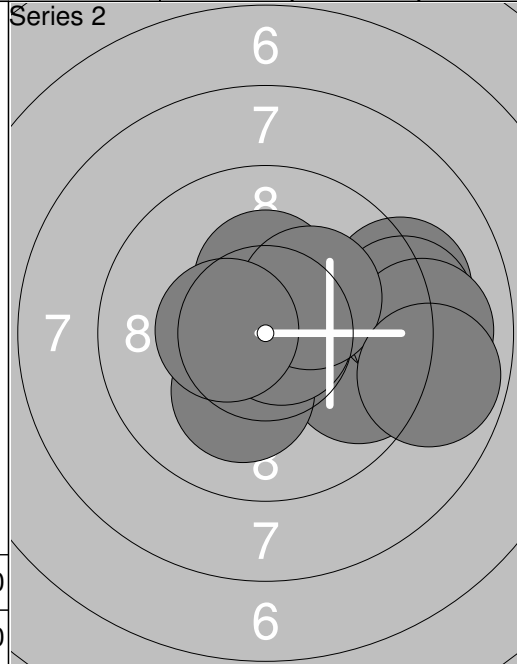
41:	10.3x	↗
42:	10.2x	↑
43:	9.6	↑
44:	10.3x	↘
45:	10.7x	↗
46:	10.5x	↑
47:	10.6x	→
48:	10.8x	↙
49:	10.7x	←
50:	10.9x	↖
<b>Series</b>		<b>99.0</b>
<b>Total</b>		<b>486.0</b>



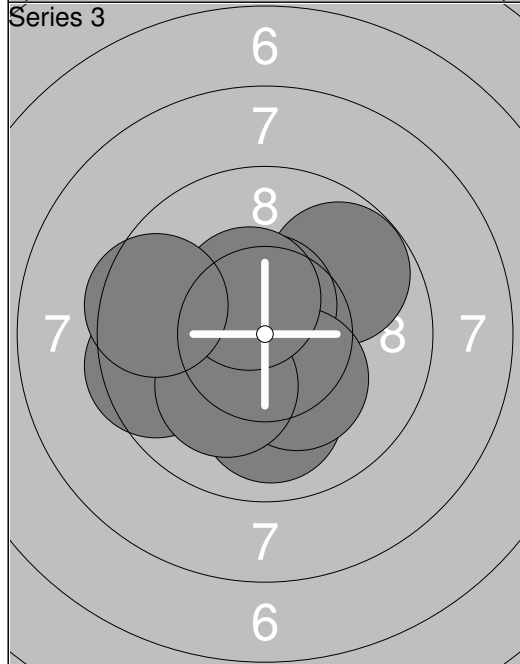
51:	10.2x	↗
52:	10.5x	↑
53:	9.6	↑
54:	9.4	↙
55:	10.2x	↖
56:	10.4x	↑
57:	10.0	←
58:	10.9x	←
59:	10.4x	→
60:	10.5x	→
<b>Series</b>		<b>98.0</b>
<b>Total</b>		<b>584.0</b>



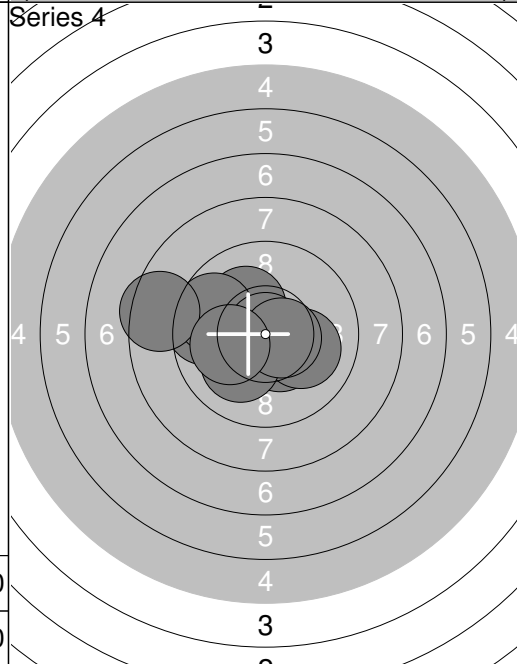
1:	9.3	↗
2:	10.5x	↗
3:	10.2x	↘
4:	10.4x	↘
5:	10.7x	↗
6:	10.6x	↗
7:	10.6x	↖
8:	9.6	→
9:	10.4x	↙
10:	10.7x	←
<b>Series</b>		<b>98.0</b>
<b>Total</b>		<b>98.0</b>



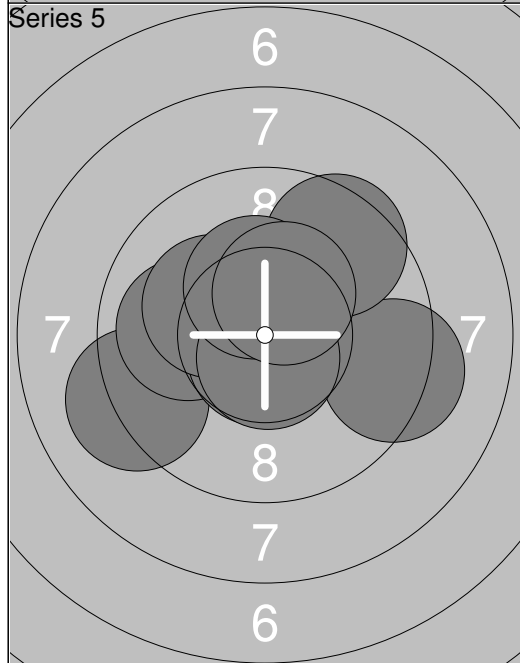
11:	9.7	→
12:	10.3x	↑
13:	9.2	→
14:	9.2	→
15:	10.2x	↘
16:	9.0	→
17:	10.8x	→
18:	10.2x	↗
19:	10.5x	←
20:	8.9	→
<b>Series</b>		<b>94.0</b>
<b>Total</b>		<b>192.0</b>



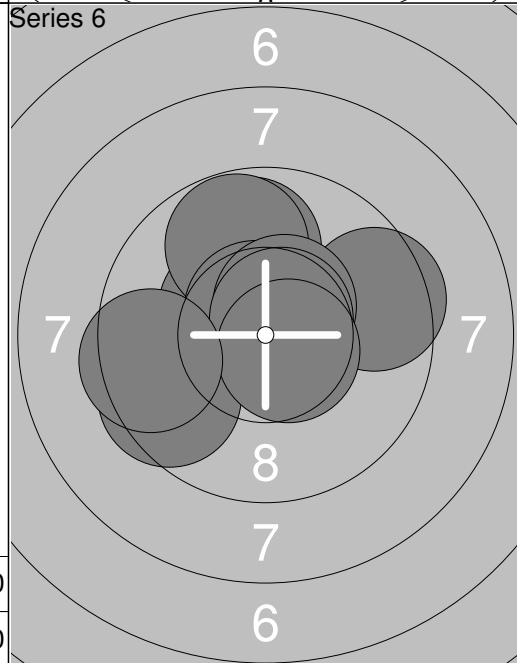
21:	9.8	↗
22:	10.6x	↑
23:	9.8	←
24:	10.0	↓
25:	10.7x	↘
26:	9.5	←
27:	10.3x	↘
28:	10.1	↙
29:	10.5x	↗
30:	9.5	←
<b>Series</b>		<b>96.0</b>
<b>Total</b>		<b>288.0</b>



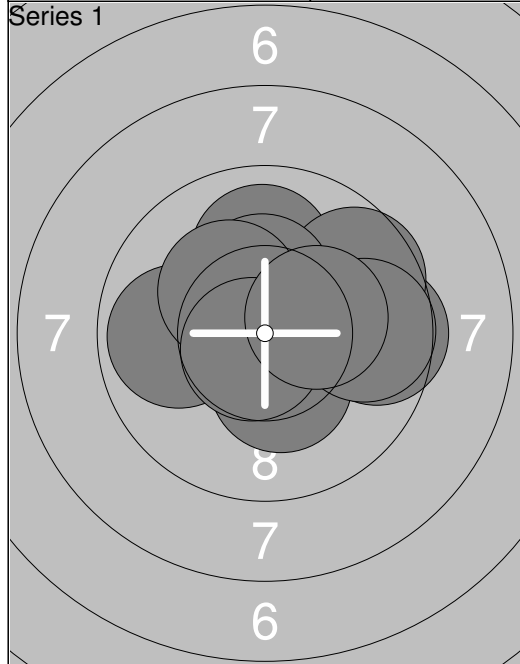
31:	10.5x	↘
32:	9.6	←
33:	10.2x	↗
34:	9.7	←
35:	8.5	←
36:	10.1	→
37:	10.9x	↑
38:	10.1	↙
39:	10.6x	→
40:	10.1	←
<b>Series</b>		<b>96.0</b>
<b>Total</b>		<b>384.0</b>



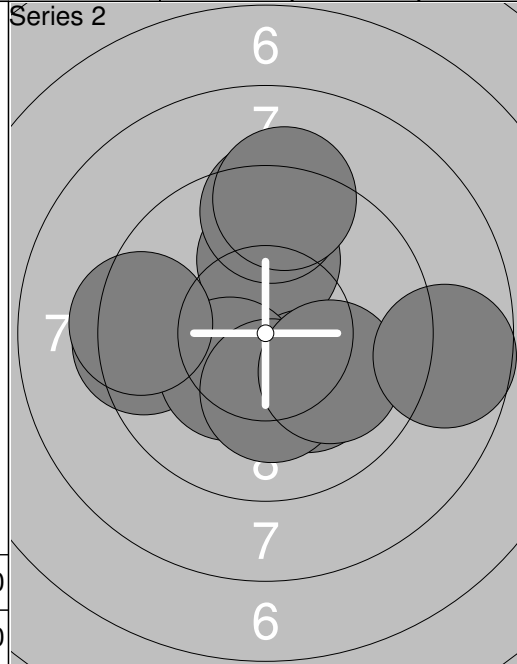
41:	9.2	←
42:	10.5x	↑
43:	10.0	←
44:	10.7x	↘
45:	9.3	→
46:	10.2x	↖
47:	10.7x	↘
48:	9.5	↗
49:	10.3x	↑
50:	10.4x	↗
<b>Series</b>		<b>97.0</b>
<b>Total</b>		<b>481.0</b>



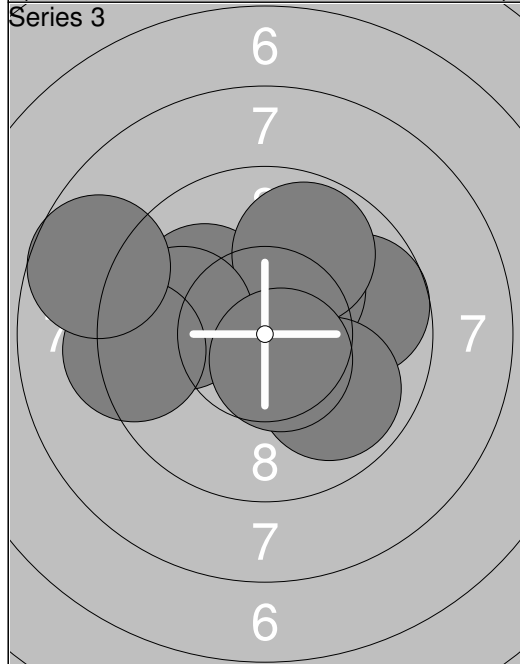
51:	10.4x	↖
52:	9.9	↑
53:	9.8	↑
54:	10.6x	↗
55:	9.5	→
56:	9.5	↖
57:	10.5x	↗
58:	10.7x	↗
59:	10.6x	↘
60:	9.5	←
<b>Series</b>		<b>95.0</b>
<b>Total</b>		<b>576.0</b>



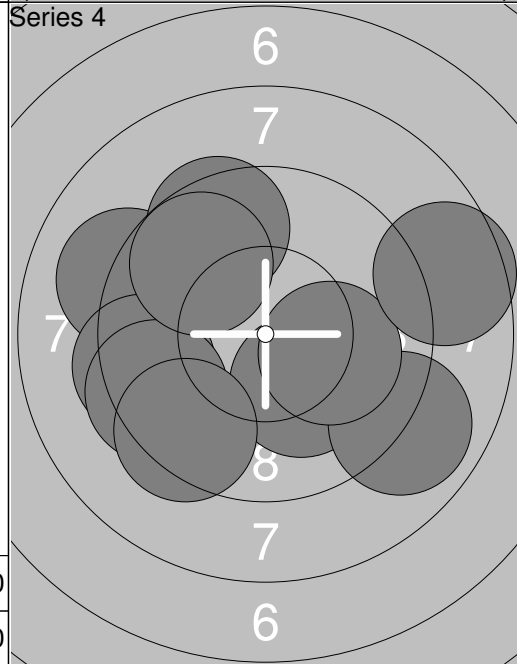
1: 9.9	←
2: 10.3x	↓
3: 9.5	→
4: 10.0	↑
5: 9.6	↗
6: 10.3x	↑
7: 9.7	→
8: 10.2x	↙
9: 10.7x	↙
10: 10.3x	→
Series	96.0
Total	96.0



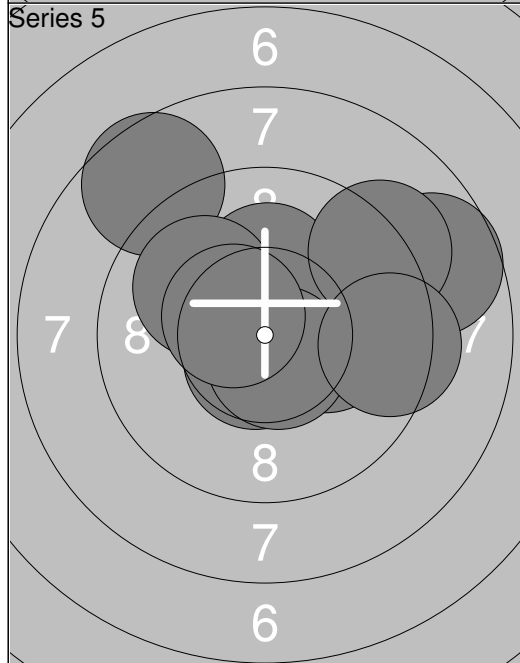
11: 10.0	↑
12: 9.4	←
13: 10.2x	↓
14: 10.4x	↙
15: 10.2x	↓
16: 9.4	↑
17: 10.0	↘
18: 8.7	→
19: 9.3	↑
20: 9.4	←
Series	94.0
Total	190.0



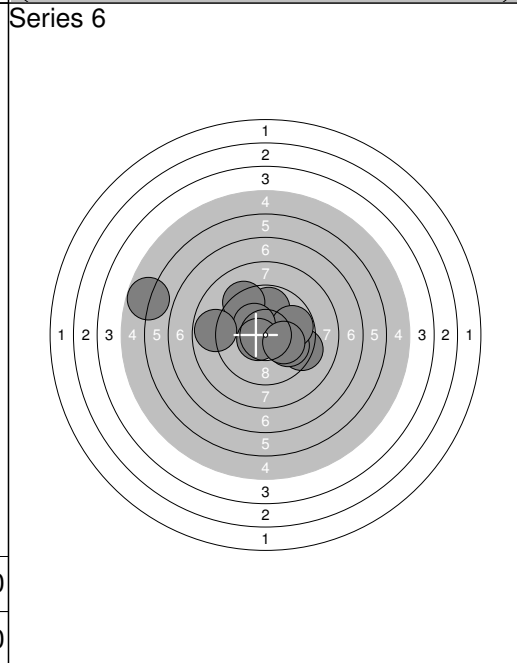
21: 10.4x	↗
22: 9.7	→
23: 10.3x	↑
24: 10.1	←
25: 9.9	↓
26: 9.9	↑
27: 9.9	←
28: 9.3	←
29: 8.7	←
30: 10.6x	↓
Series	93.0
Total	283.0



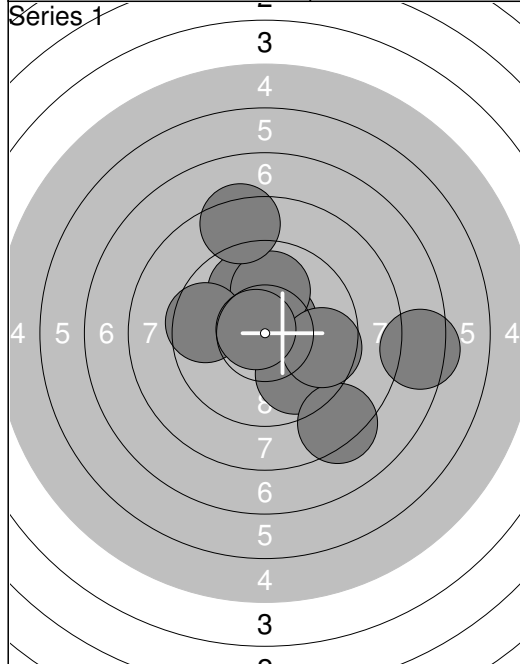
31: 10.2x	↓
32: 8.9	↓
33: 9.1	←
34: 9.4	←
35: 9.5	↑
36: 10.1	→
37: 9.4	←
38: 9.8	↑
39: 9.4	↓
40: 8.6	→
Series	90.0
Total	373.0



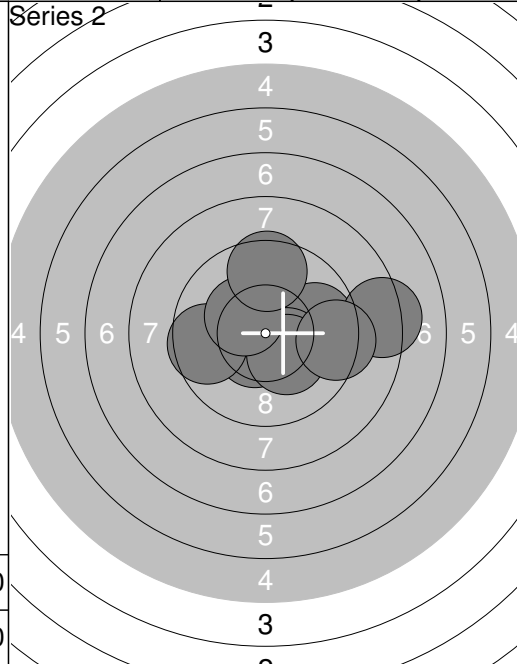
41: 10.7x	↓
42: 10.2x	→
43: 8.7	→
44: 10.2x	↑
45: 8.6	↑
46: 10.6x	↓
47: 10.0	←
48: 10.5x	←
49: 9.2	↗
50: 9.4	→
Series	94.0
Total	467.0



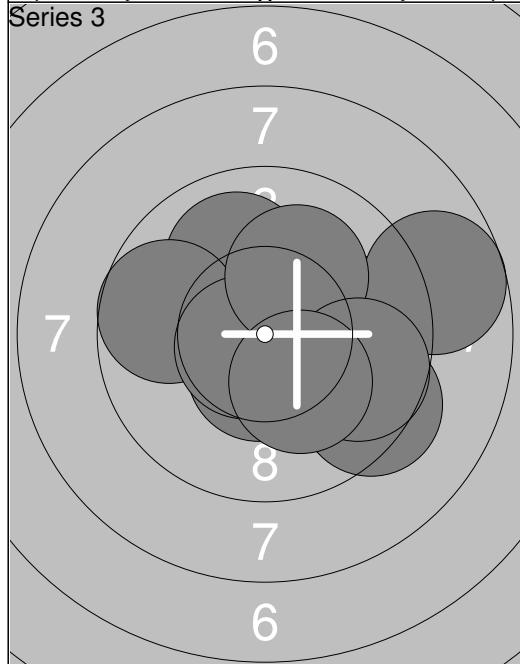
51: 9.3	→
52: 9.9	→
53: 9.8	↑
54: 9.3	↑
55: 9.8	→
56: 5.7	←
57: 10.3x	←
58: 10.6x	↙
59: 8.8	←
60: 10.1	→
Series	88.0
Total	555.0



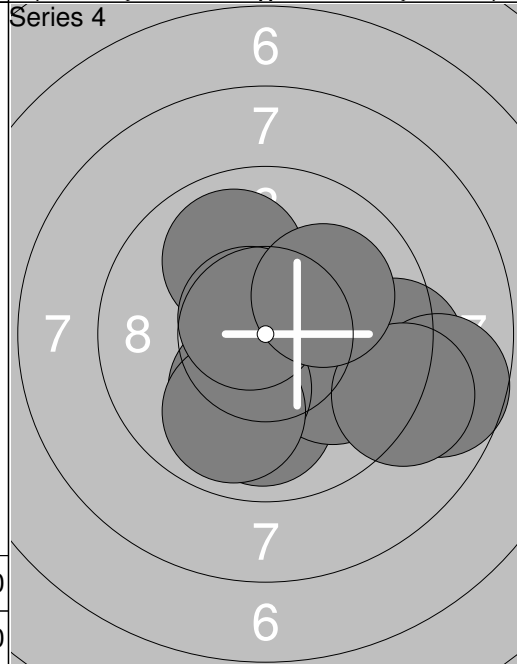
1:	10.5x ↗
2:	9.9 ↗
3:	9.8 ↘
4:	10.0 ↗
5:	8.4 ↗
6:	7.4 →
7:	8.4 ↘
8:	9.6 ←
9:	9.6 →
10:	10.7x ↙
<b>Series</b>	<b>89.0</b>
<b>Total</b>	<b>89.0</b>



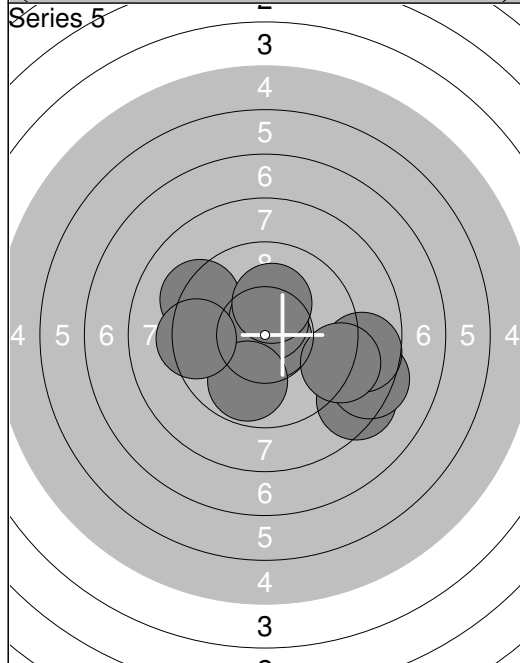
11:	10.3x ↘
12:	9.8 →
13:	8.3 →
14:	10.6x ↘
15:	10.4x ↘
16:	9.6 ←
17:	10.3x ↘
18:	10.3x ↖
19:	9.4 →
20:	9.5 ↗
<b>Series</b>	<b>94.0</b>
<b>Total</b>	<b>183.0</b>



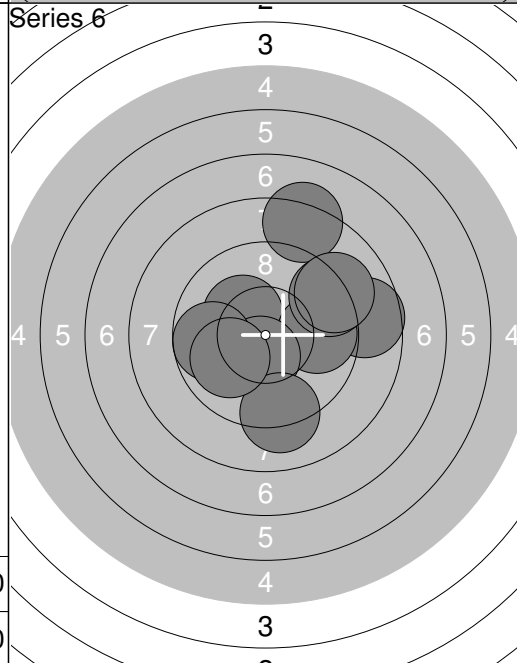
21:	10.1 →
22:	8.7 →
23:	10.0 ↗
24:	9.3 ↘
25:	10.5x ↘
26:	9.7 ←
27:	10.7x ↙
28:	10.1 ↗
29:	9.7 →
30:	10.2x ↘
<b>Series</b>	<b>95.0</b>
<b>Total</b>	<b>278.0</b>



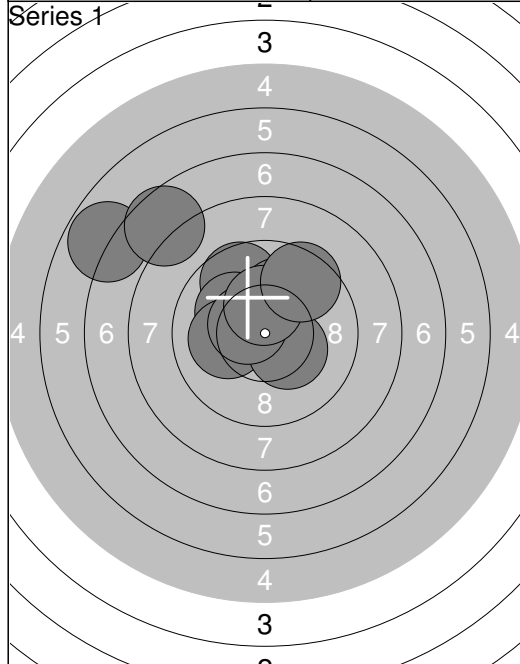
31:	9.9 ↓
32:	9.3 →
33:	10.0 ↘
34:	8.7 →
35:	10.2x ↘
36:	9.1 →
37:	10.0 ↗
38:	9.9 ↓
39:	10.7x ↖
40:	10.1 ↗
<b>Series</b>	<b>94.0</b>
<b>Total</b>	<b>372.0</b>



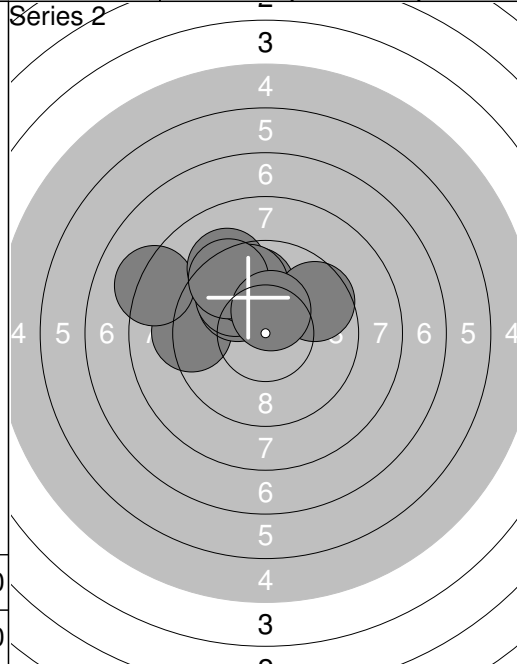
41:	8.4 ↘
42:	9.3 ↖
43:	10.8x ↘
44:	10.6x ↗
45:	10.2x ↗
46:	8.4 →
47:	9.8 ↘
48:	8.7 →
49:	9.4 ←
50:	9.1 →
<b>Series</b>	<b>90.0</b>
<b>Total</b>	<b>462.0</b>



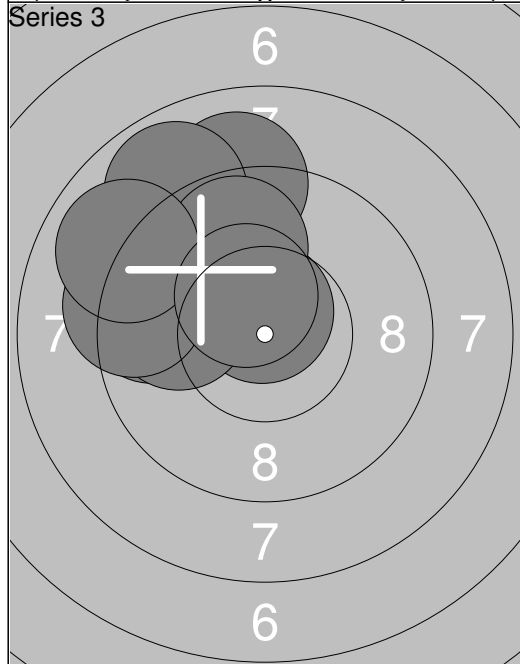
51:	10.2x ↖
52:	8.7 →
53:	9.8 →
54:	8.3 ↗
55:	10.5x ↘
56:	9.7 ←
57:	9.3 ↗
58:	9.1 ↗
59:	9.1 ↓
60:	10.0 ↙
<b>Series</b>	<b>91.0</b>
<b>Total</b>	<b>553.0</b>



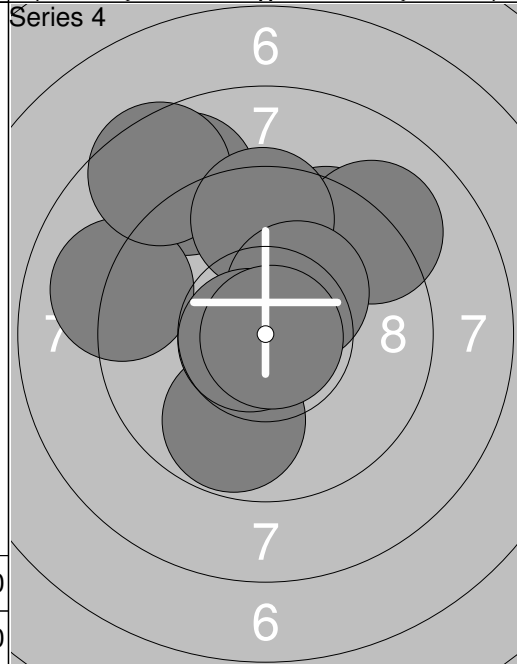
1:	9.6	↗
2:	10.1	↖
3:	10.1	↗
4:	10.1	←
5:	6.8	↖
6:	10.3x	↘
7:	7.6	↖
8:	10.5x	↖
9:	10.3x	↗
10:	9.5	↗
<b>Series</b>		<b>91.0</b>
<b>Total</b>		<b>91.0</b>



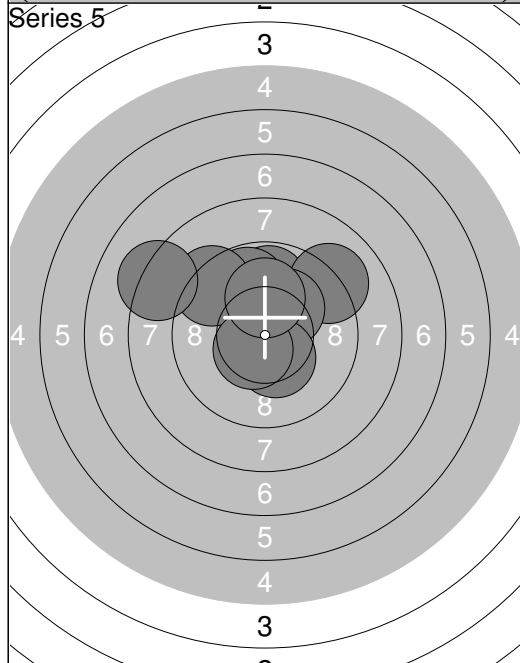
11:	9.3	←
12:	8.2	↖
13:	9.2	↗
14:	10.0	↗
15:	9.9	↗
16:	9.9	↗
17:	9.6	↗
18:	9.8	↗
19:	9.5	↖
20:	10.4x	↗
<b>Series</b>		<b>91.0</b>
<b>Total</b>		<b>182.0</b>



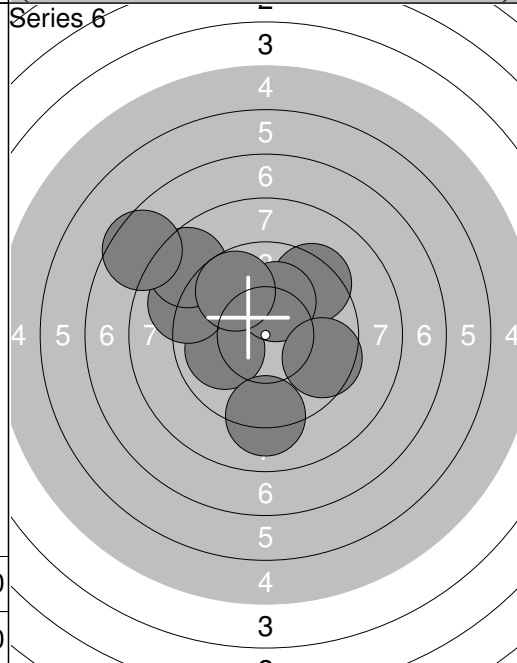
21:	9.5	↗
22:	9.0	↗
23:	8.9	↖
24:	10.7x	↗
25:	9.8	↗
26:	9.5	←
27:	9.8	←
28:	9.3	←
29:	8.9	↖
30:	10.4x	↖
<b>Series</b>		<b>90.0</b>
<b>Total</b>		<b>272.0</b>



31:	8.8	↖
32:	9.1	←
33:	9.5	↗
34:	9.1	↗
35:	8.6	↖
36:	9.5	↗
37:	10.3x	↗
38:	9.8	↘
39:	10.7x	↖
40:	10.9x	↘
<b>Series</b>		<b>91.0</b>
<b>Total</b>		<b>363.0</b>

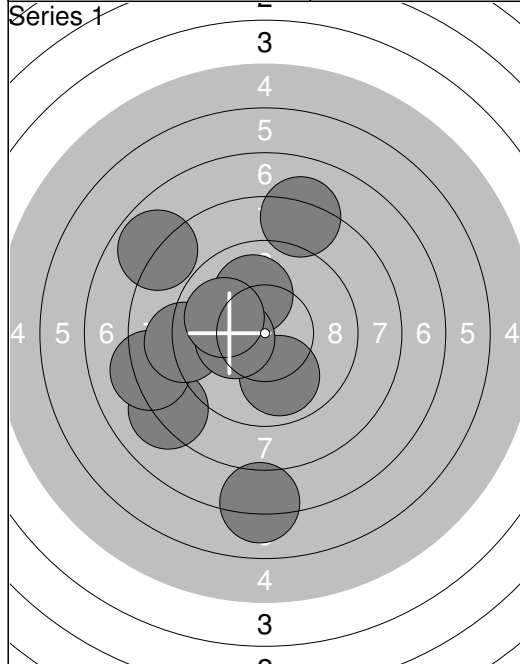


41:	9.8	↗
42:	10.6x	↗
43:	9.1	↗
44:	9.8	↗
45:	9.3	↖
46:	8.2	↖
47:	10.2x	↗
48:	10.4x	↘
49:	10.5x	↖
50:	10.1	↗
<b>Series</b>		<b>94.0</b>
<b>Total</b>		<b>457.0</b>

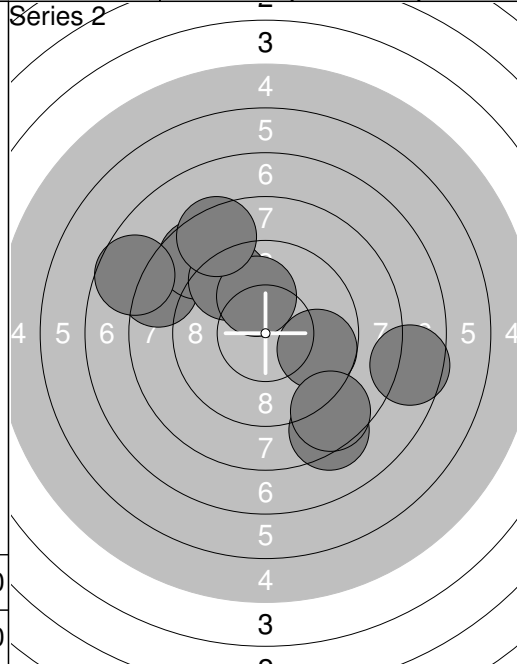


51:	10.0	←
52:	9.1	↖
53:	9.0	←
54:	9.4	↗
55:	8.6	↖
56:	7.5	↖
57:	10.1	↗
58:	9.1	↘
59:	9.7	↗
60:	9.6	↘
<b>Series</b>		<b>89.0</b>
<b>Total</b>		<b>546.0</b>

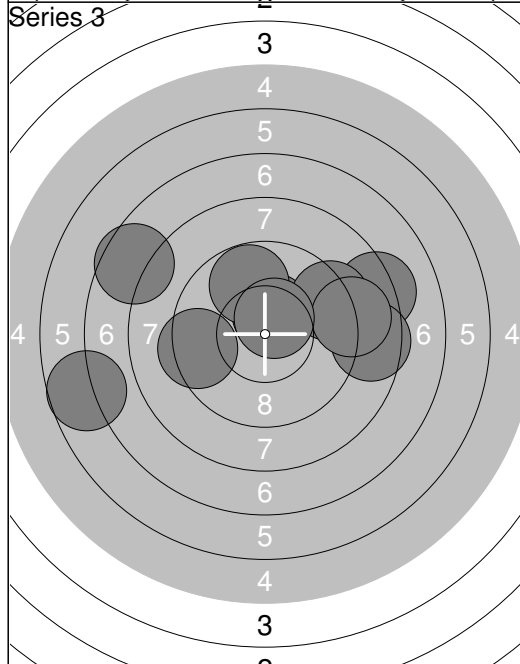




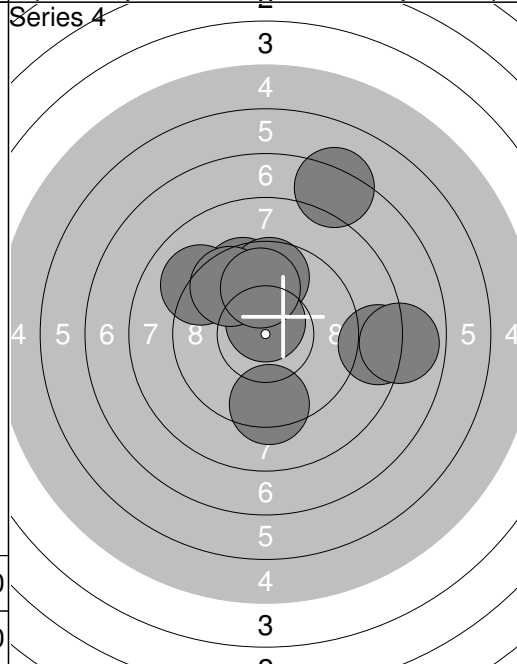
1:	8.2	↙
2:	9.9	↓
3:	8.2	↑
4:	8.2	↙
5:	9.1	↙
6:	7.9	↗
7:	10.0	↑
8:	7.1	↓
9:	10.3x	↙
10:	9.9	↙
<b>Series</b>		<b>85.0</b>
<b>Total</b>		<b>85.0</b>



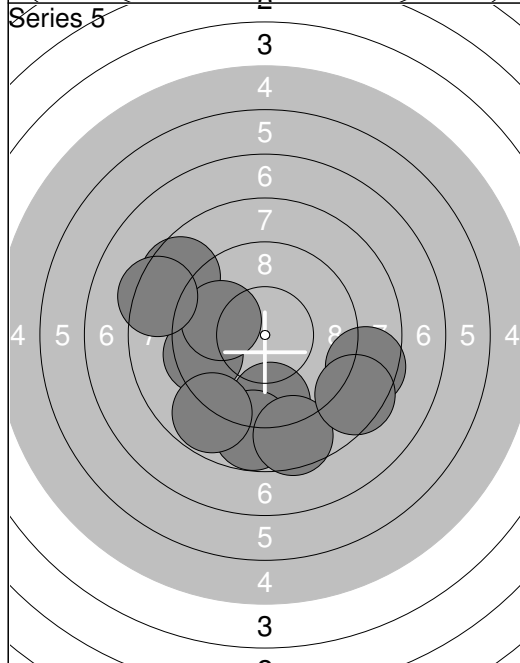
11:	9.7	→
12:	8.3	↖
13:	8.7	↗
14:	8.3	↓
15:	9.5	↗
16:	8.6	↓
17:	7.7	↖
18:	7.6	→
19:	10.1	↑
20:	8.5	↗
<b>Series</b>		<b>82.0</b>
<b>Total</b>		<b>167.0</b>



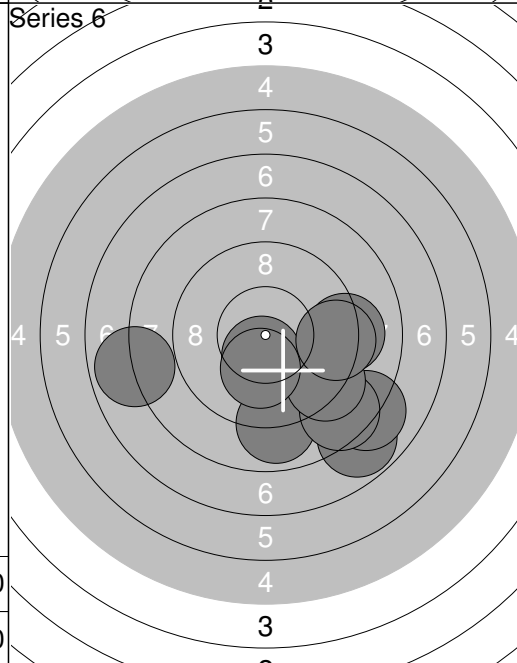
21:	9.4	↙
22:	10.5x	↗
23:	8.2	→
24:	9.3	↗
25:	7.6	↖
26:	9.8	↑
27:	8.5	→
28:	9.0	→
29:	10.5x	↗
30:	6.7	↙
<b>Series</b>		<b>85.0</b>
<b>Total</b>		<b>252.0</b>



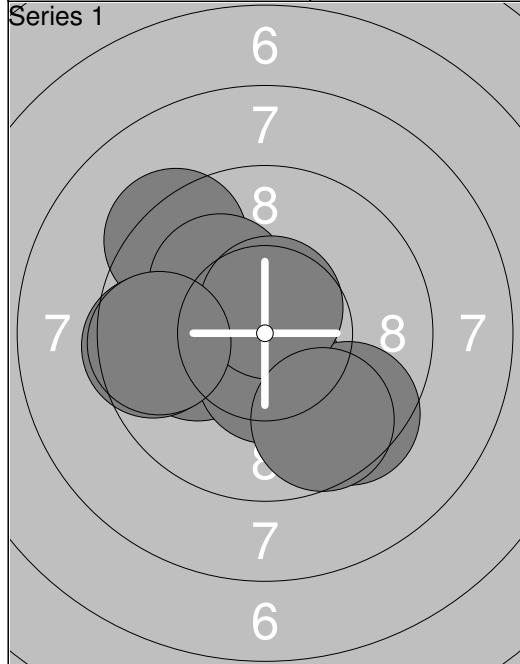
31:	7.3	↗
32:	8.4	→
33:	9.4	↓
34:	9.6	↑
35:	9.7	↑
36:	9.1	↖
37:	10.7x	↑
38:	7.9	→
39:	9.6	↖
40:	9.9	↑
<b>Series</b>		<b>86.0</b>
<b>Total</b>		<b>338.0</b>



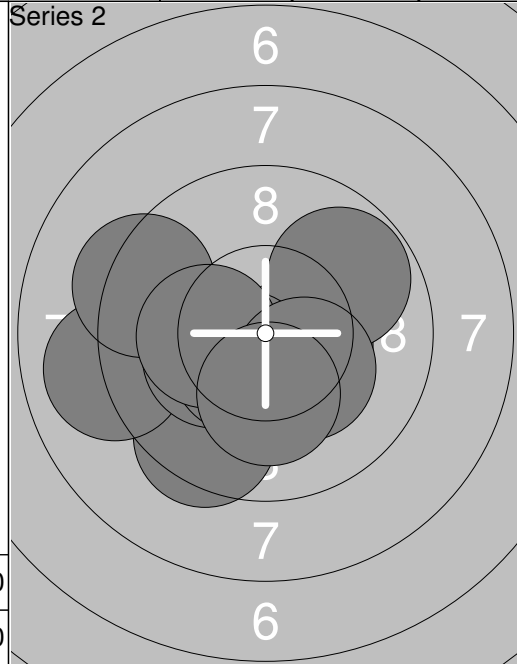
41:	9.4	↓
42:	8.8	↓
43:	8.6	↖
44:	9.5	↙
45:	8.6	↓
46:	8.6	→
47:	8.8	↙
48:	8.5	↘
49:	9.9	↖
50:	8.4	↙
<b>Series</b>		<b>83.0</b>
<b>Total</b>		<b>421.0</b>



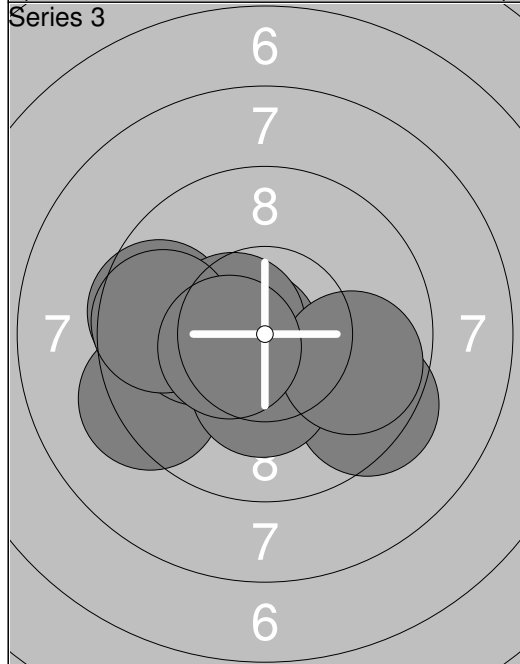
51:	7.8	↘
52:	10.5x	↓
53:	7.9	↙
54:	8.1	↘
55:	8.9	↓
56:	8.5	↘
57:	9.2	↘
58:	10.2x	↓
59:	9.1	→
60:	9.4	→
<b>Series</b>		<b>85.0</b>
<b>Total</b>		<b>506.0</b>



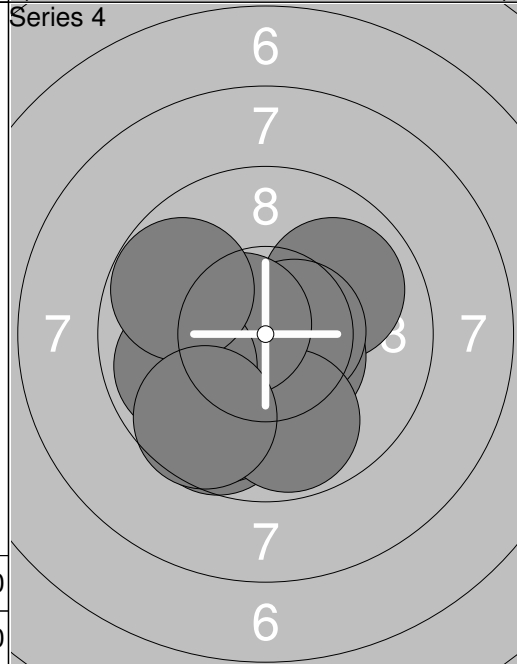
1:	10.5x	↓
2:	10.1	←
3:	9.3	↗
4:	10.5x	↓
5:	10.1	↗
6:	9.5	↓
7:	9.5	←
8:	10.6x	↑
9:	9.6	←
10:	9.7	↓
Series	95.0	
Total	95.0	



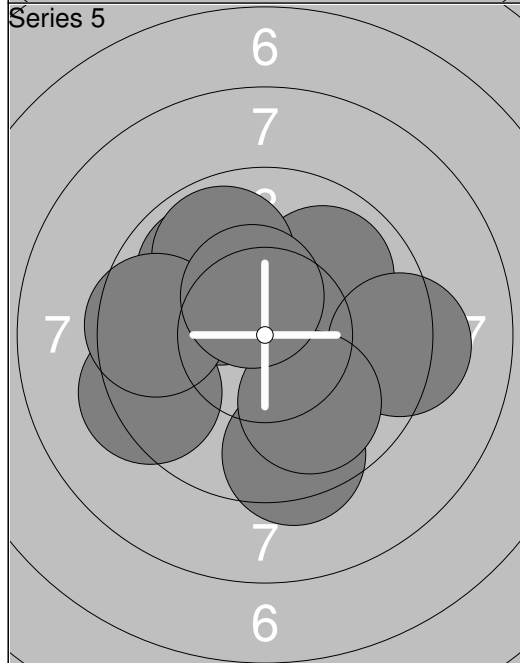
11:	10.5x	→
12:	9.4	↙
13:	9.8	↗
14:	9.0	←
15:	10.2x	↙
16:	9.3	↙
17:	10.5x	↙
18:	10.2x	←
19:	10.3x	↘
20:	10.2x	↓
Series	96.0	
Total	191.0	



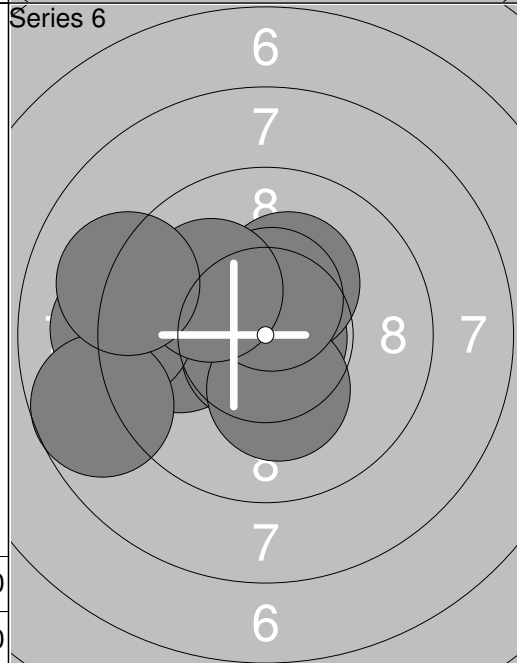
21:	9.3	↙
22:	10.7x	↙
23:	9.4	↘
24:	9.6	←
25:	10.3x	↓
26:	10.2x	←
27:	10.5x	↙
28:	9.7	←
29:	9.8	→
30:	10.5x	↙
Series	95.0	
Total	286.0	



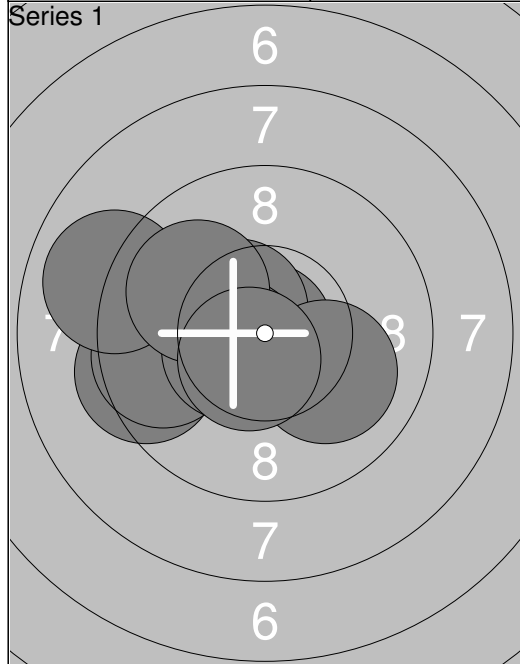
31:	9.9	↗
32:	10.5x	↘
33:	10.6x	→
34:	9.7	↙
35:	9.8	↙
36:	9.8	↓
37:	10.6x	↙
38:	9.9	←
39:	9.8	↙
40:	9.7	↙
Series	93.0	
Total	379.0	



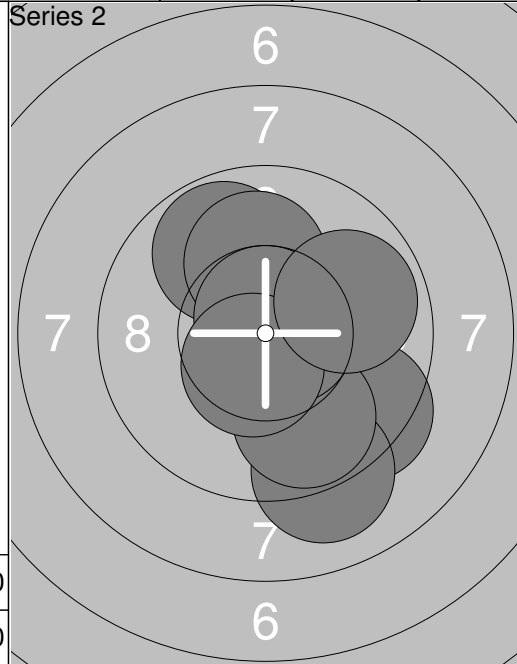
41:	10.2x	↙
42:	9.9	↗
43:	9.9	↗
44:	9.3	←
45:	9.9	↗
46:	9.4	↓
47:	9.6	←
48:	9.3	→
49:	9.9	↓
50:	10.5x	↑
Series	92.0	
Total	471.0	



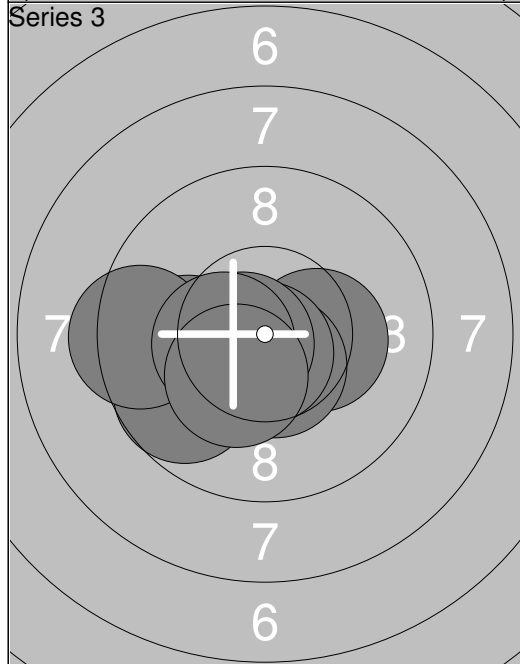
51:	10.8x	→
52:	10.3x	↑
53:	9.9	←
54:	10.7x	↙
55:	10.2x	↓
56:	10.5x	↑
57:	9.1	←
58:	8.7	←
59:	10.1	↙
60:	9.1	←
Series	95.0	
Total	566.0	



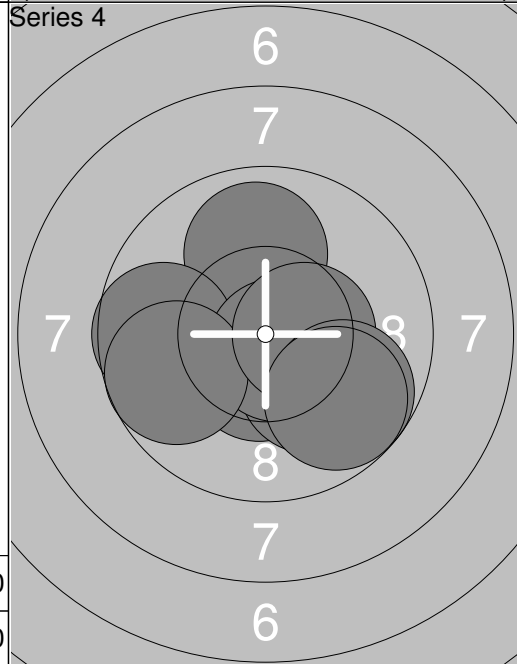
1:	9.4	←
2:	9.6	←
3:	10.9x	←
4:	9.0	←
5:	10.5x	↙
6:	10.5x	↗
7:	10.0	→
8:	10.5x	↙
9:	9.9	↖
10:	10.6x	↘
Series	96.0	
Total	96.0	



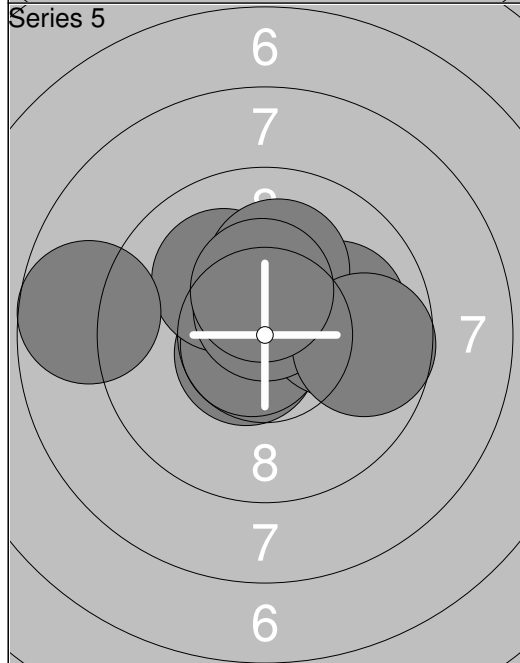
11:	9.8	↗
12:	10.3x	↘
13:	9.4	↘
14:	9.1	↘
15:	9.8	↘
16:	10.1	↑
17:	10.7x	→
18:	10.8x	↑
19:	10.5x	↘
20:	9.9	→
Series	95.0	
Total	191.0	



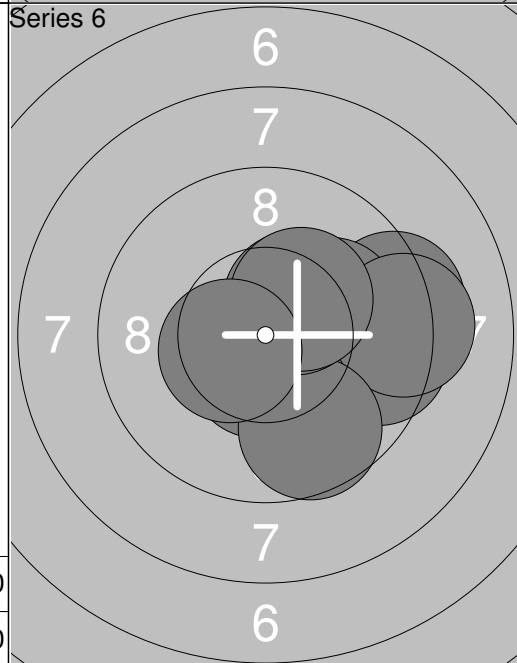
21:	10.0	←
22:	10.0	↙
23:	10.3x	→
24:	9.7	↙
25:	9.4	←
26:	10.5x	↘
27:	10.7x	↘
28:	10.6x	↙
29:	10.4x	←
30:	10.3x	↘
Series	98.0	
Total	289.0	



31:	10.4x	↘
32:	10.5x	↘
33:	10.0	↑
34:	10.1	↘
35:	9.7	←
36:	10.7x	↘
37:	9.8	←
38:	10.5x	→
39:	9.8	↘
40:	9.8	↘
Series	96.0	
Total	385.0	



41:	10.6x	↘
42:	10.8x	↙
43:	10.0	→
44:	10.1	↖
45:	10.0	→
46:	10.6x	↑
47:	8.7	←
48:	10.1	↑
49:	9.7	→
50:	10.4x	↑
Series	97.0	
Total	482.0	

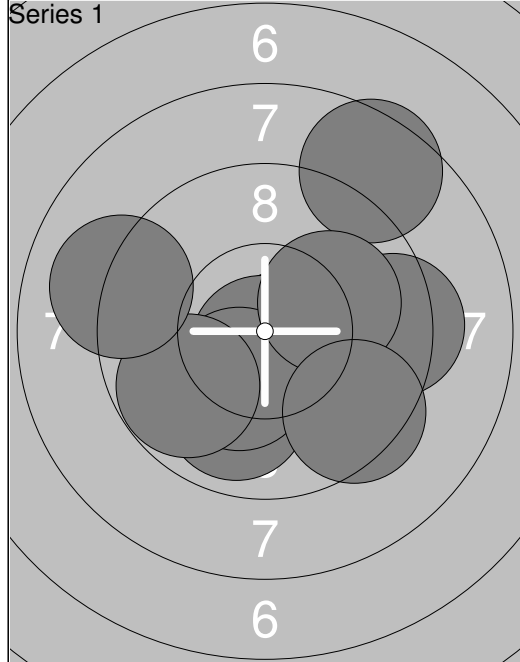


51:	9.5	→
52:	10.6x	→
53:	10.5x	↘
54:	9.3	→
55:	10.1	→
56:	9.2	→
57:	9.7	↘
58:	10.4x	↗
59:	10.3x	↗
60:	10.5x	↙
Series	96.0	
Total	578.0	

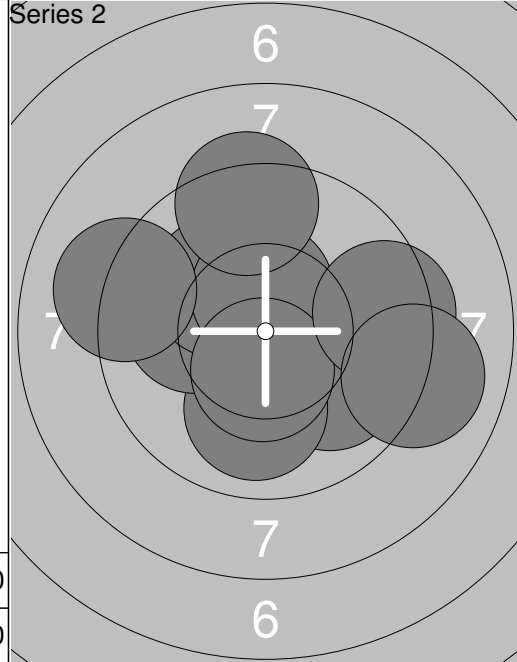
Relay <b>8</b>	Lane <b>14</b>	<b>Jimi Lång.</b>
-------------------	-------------------	-------------------

Air	KaA	AR Y
-----	-----	------

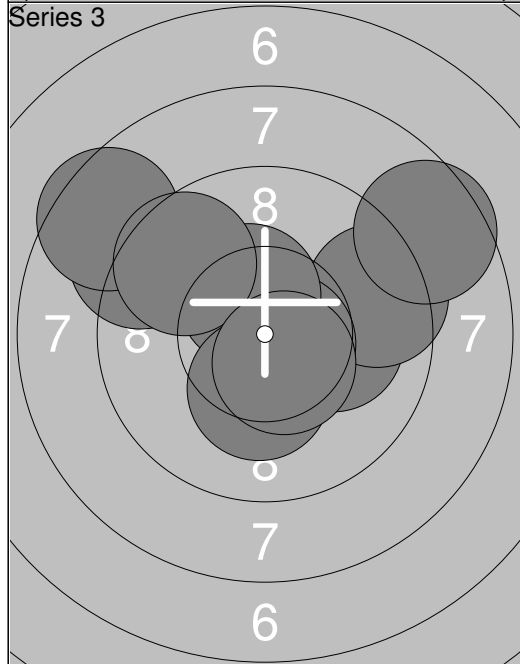
8.-9.2.2014	Aluemestaruuskilpailut	Kankaanpään Ampumaurheilijat
-------------	------------------------	------------------------------



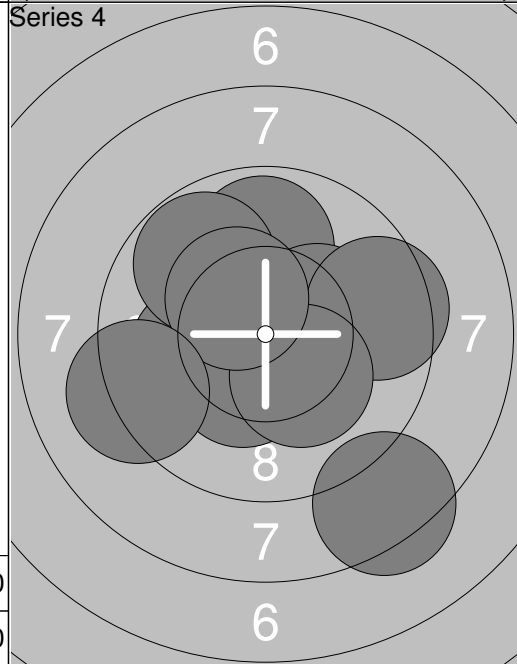
1:	10.7x	→
2:	9.9	↓
3:	10.7x	↓
4:	8.6	↗
5:	10.3x	↓
6:	9.3	→
7:	9.8	↙
8:	10.1	→
9:	9.4	↘
10:	9.1	←
Series	93.0	
Total	93.0	



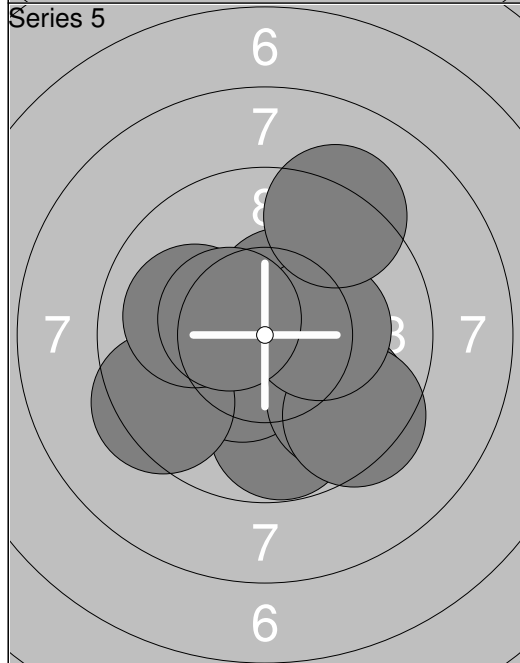
11:	9.9	↘
12:	10.0	↓
13:	10.1	←
14:	10.2x	↖
15:	10.5x	↑
16:	9.3	↑
17:	10.5x	↓
18:	9.1	←
19:	9.5	→
20:	9.0	→
Series	95.0	
Total	188.0	



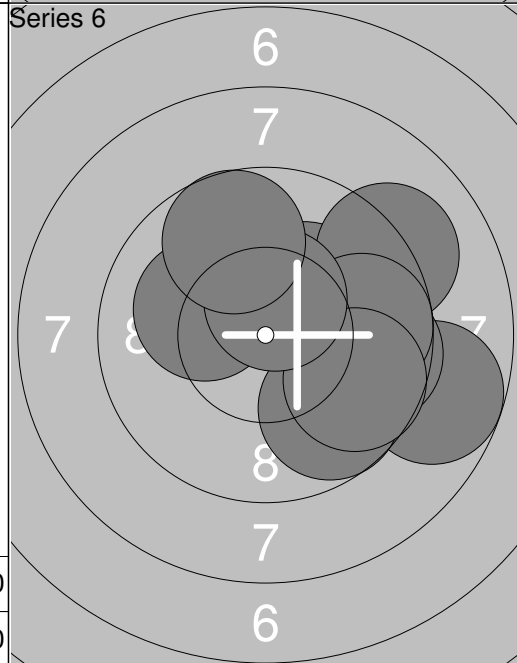
21:	10.1	→
22:	9.5	→
23:	10.7x	↘
24:	9.1	↖
25:	10.4x	↑
26:	8.6	↗
27:	8.5	↗
28:	9.6	↗
29:	10.3x	↓
30:	10.5x	↓
Series	93.0	
Total	281.0	



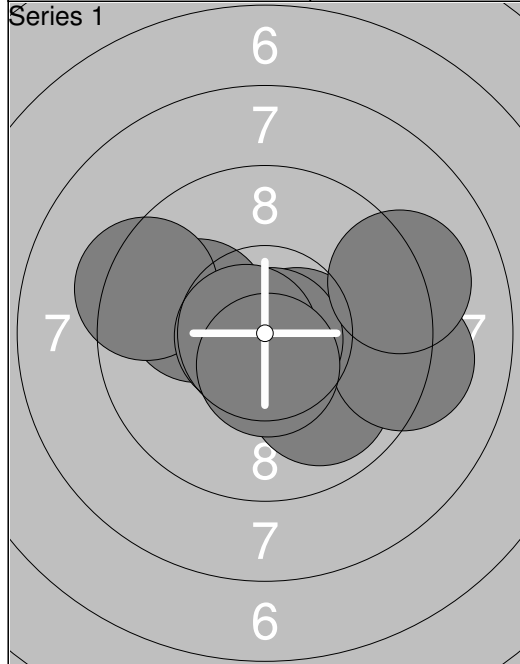
31:	9.9	↑
32:	10.1	←
33:	9.8	↖
34:	10.3x	→
35:	10.4x	↓
36:	9.5	→
37:	10.3x	↓
38:	8.4	↓
39:	10.4x	↖
40:	9.2	↙
Series	94.0	
Total	375.0	



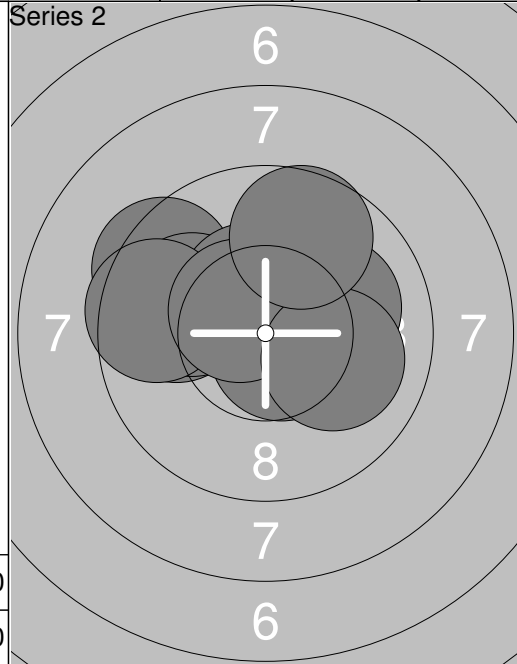
41:	9.8	↓
42:	10.4x	↓
43:	9.4	↙
44:	9.7	↘
45:	9.4	↘
46:	10.0	←
47:	10.4x	↑
48:	10.3x	→
49:	9.2	↗
50:	10.5x	↖
Series	95.0	
Total	470.0	



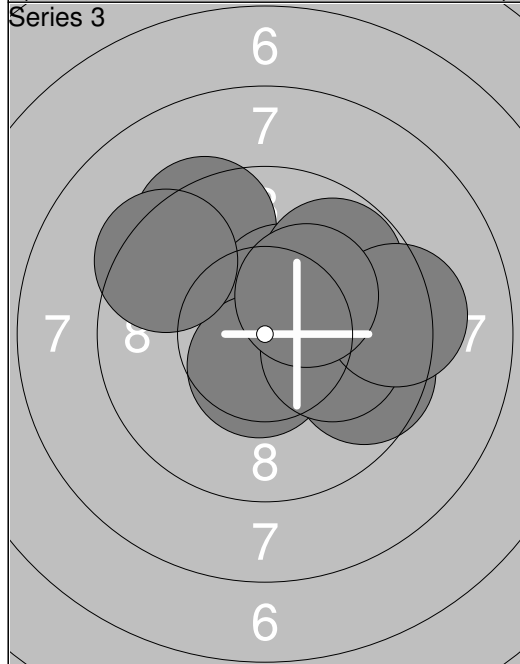
51:	10.2x	↗
52:	8.8	→
53:	9.6	→
54:	9.1	↗
55:	9.7	↓
56:	10.1	↖
57:	9.7	→
58:	9.7	↘
59:	10.5x	↑
60:	9.7	↑
Series	92.0	
Total	562.0	



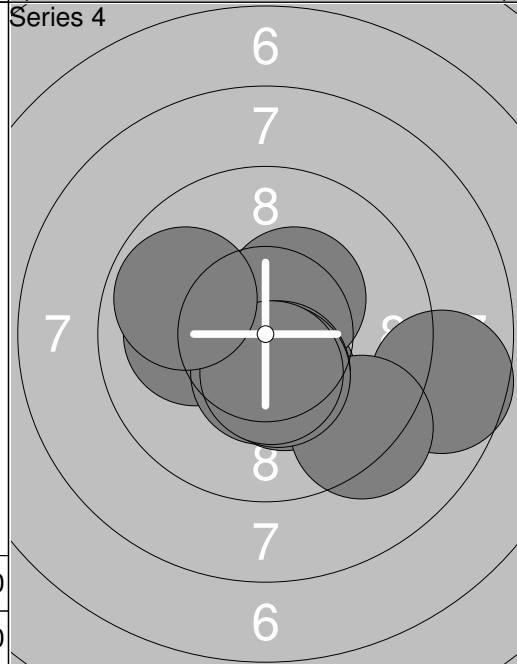
1:	10.1	↙
2:	10.8x	↓
3:	10.6x	→
4:	9.9	↓
5:	9.2	→
6:	10.8x	↓
7:	9.4	↙
8:	10.7x	↙
9:	10.6x	↓
10:	9.2	→
<b>Series</b>		<b>96.0</b>
<b>Total</b>		<b>96.0</b>



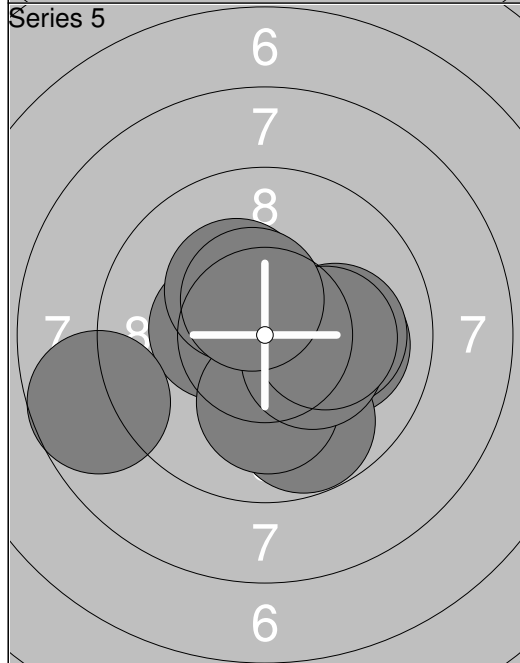
11:	9.8	↙
12:	9.4	↙
13:	10.7x	↓
14:	10.0	↙
15:	10.4x	↗
16:	10.1	→
17:	9.6	↙
18:	10.5x	↙
19:	10.1	→
20:	9.7	↗
<b>Series</b>		<b>96.0</b>
<b>Total</b>		<b>192.0</b>



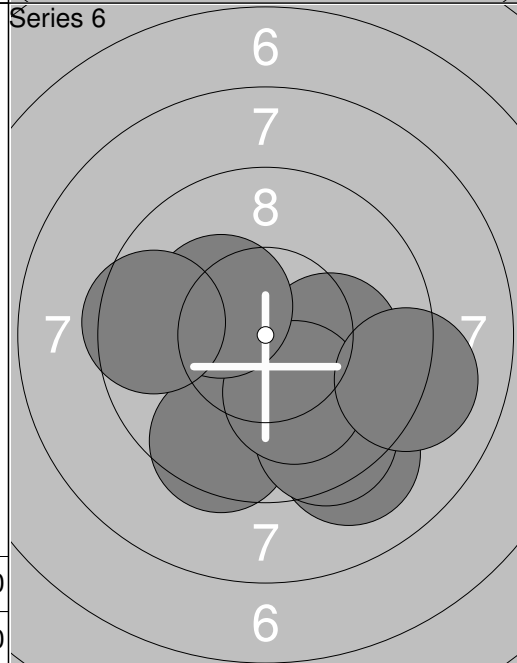
21:	9.4	↗
22:	10.4x	↗
23:	10.6x	↓
24:	9.8	↗
25:	9.8	→
26:	9.6	→
27:	9.4	↗
28:	10.1	→
29:	9.3	→
30:	10.2x	↗
<b>Series</b>		<b>94.0</b>
<b>Total</b>		<b>286.0</b>



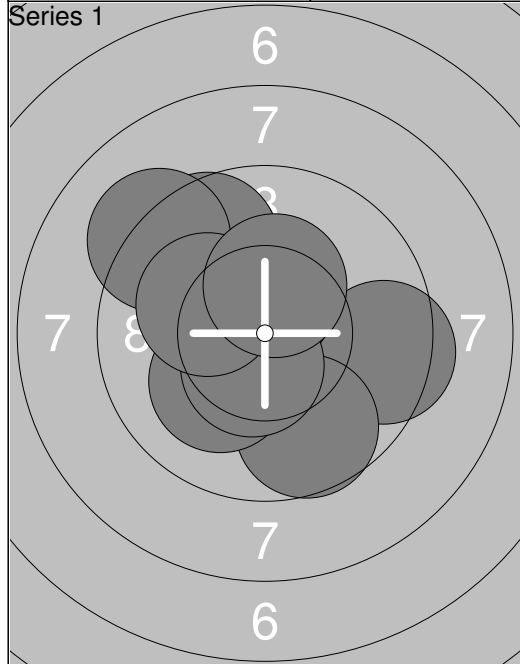
31:	10.1	↙
32:	10.3x	↓
33:	8.7	→
34:	9.3	↓
35:	10.5x	↓
36:	10.4x	↗
37:	10.4x	↓
38:	10.4x	↓
39:	10.5x	↓
40:	9.9	↙
<b>Series</b>		<b>96.0</b>
<b>Total</b>		<b>382.0</b>



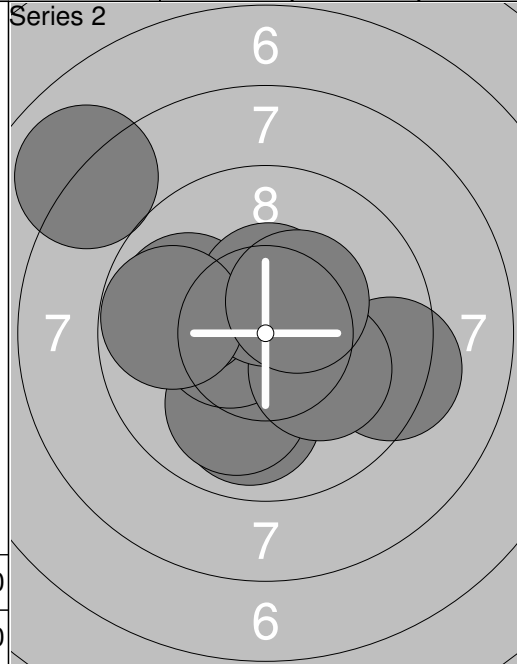
41:	10.4x	↙
42:	10.0	→
43:	9.8	↓
44:	10.0	→
45:	10.1	↓
46:	10.3x	→
47:	10.3x	↗
48:	10.2x	→
49:	8.7	↙
50:	10.5x	↗
<b>Series</b>		<b>97.0</b>
<b>Total</b>		<b>479.0</b>



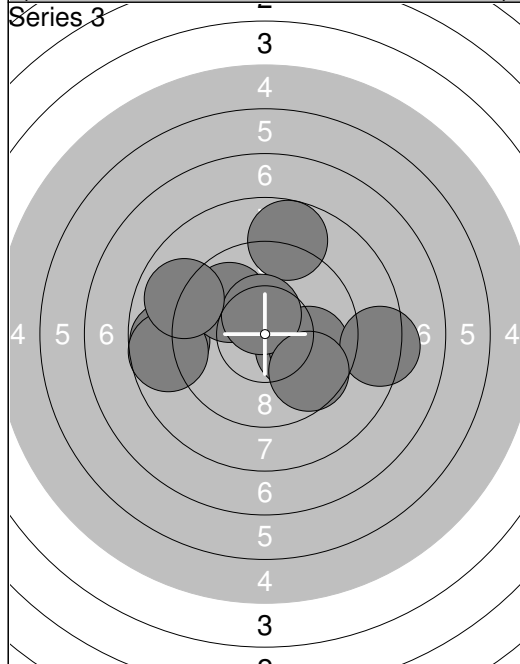
51:	10.5x	↙
52:	9.1	↓
53:	10.1	→
54:	10.2x	↓
55:	9.5	↓
56:	9.5	↓
57:	10.1	↓
58:	10.3x	↙
59:	9.1	→
60:	9.6	↙
<b>Series</b>		<b>95.0</b>
<b>Total</b>		<b>574.0</b>



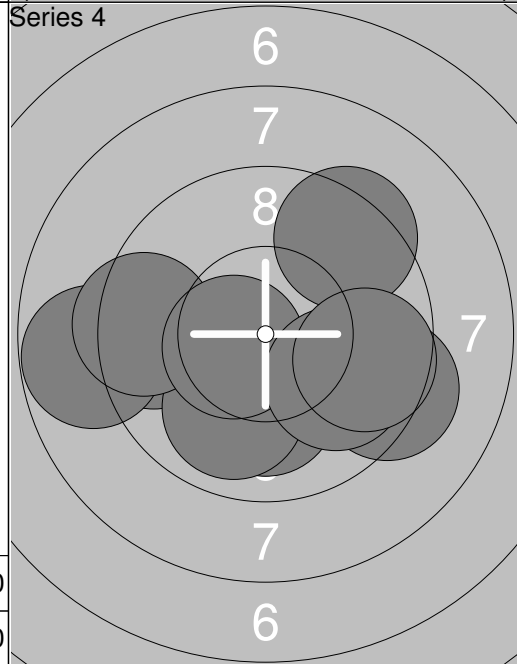
1: 9.5 →
2: 10.5x ↑
3: 10.7x ↖
4: 9.6 ↗
5: 9.7 ↓
6: 10.1 ↙
7: 9.2 ↖
8: 10.5x ↓
9: 10.1 ↖
10: 10.3x ↑
<b>Series 96.0</b>
<b>Total 96.0</b>



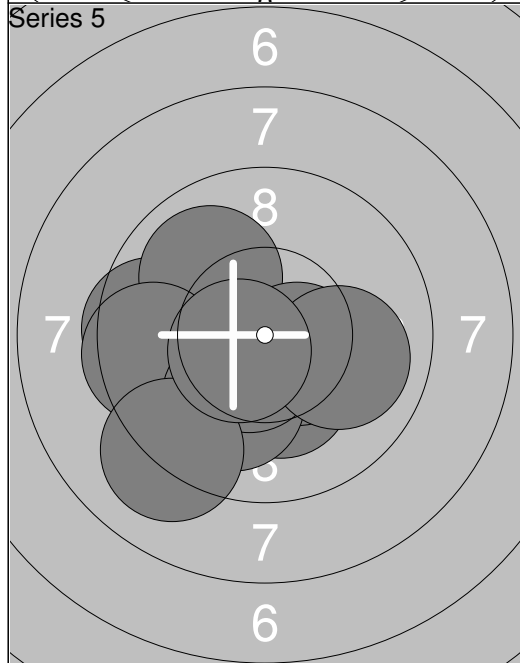
11: 9.9 ↓
12: 10.0 ↓
13: 10.5x ←
14: 9.9 ↖
15: 9.3 →
16: 8.0 ↗
17: 10.1 ↘
18: 10.5x ↑
19: 9.8 ←
20: 10.4x ↗
<b>Series 94.0</b>
<b>Total 190.0</b>



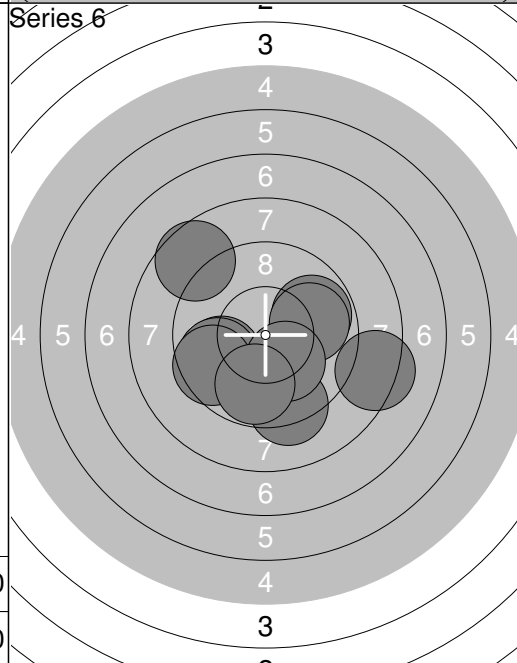
21: 8.8 ←
22: 8.7 ←
23: 10.2x →
24: 8.8 ↑
25: 9.9 ↗
26: 9.9 →
27: 8.3 →
28: 10.5x ↑
29: 8.9 ↖
30: 9.7 ↓
<b>Series 87.0</b>
<b>Total 277.0</b>



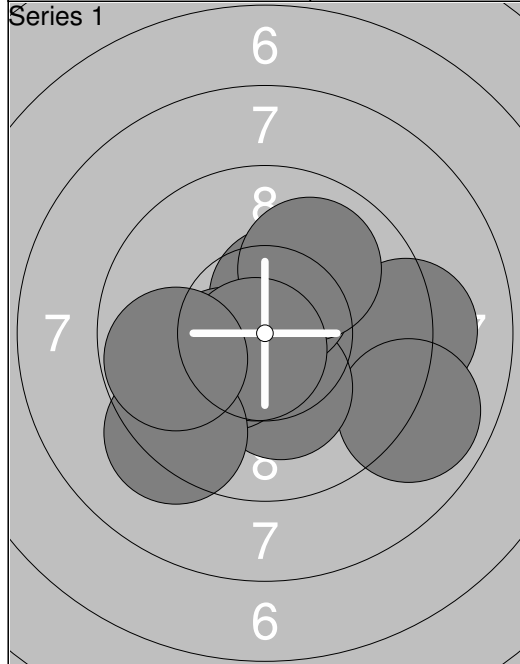
31: 10.1 ↓
32: 9.5 ←
33: 10.0 ↓
34: 9.4 ↗
35: 9.3 →
36: 8.8 ←
37: 9.4 ←
38: 10.5x ↖
39: 9.9 ↘
40: 9.7 →
<b>Series 92.0</b>
<b>Total 369.0</b>



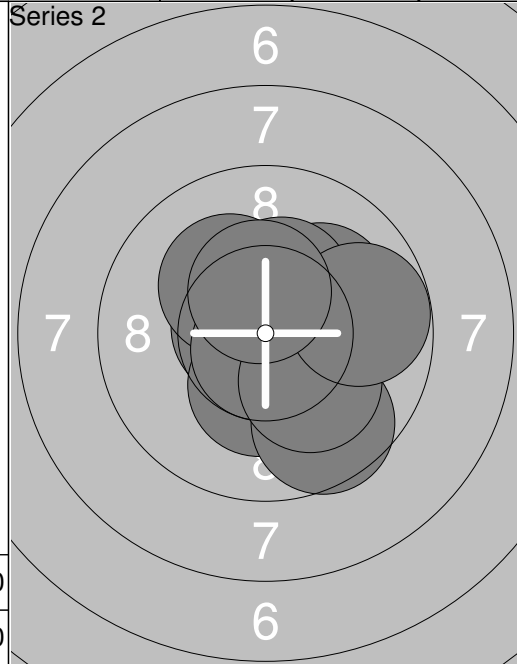
41: 9.5 ←
42: 10.3x ↓
43: 10.0 ↖
44: 9.5 ←
45: 10.5x →
46: 10.1 ↓
47: 10.6x ↓
48: 9.1 ↙
49: 10.0 →
50: 10.6x ↖
<b>Series 97.0</b>
<b>Total 466.0</b>



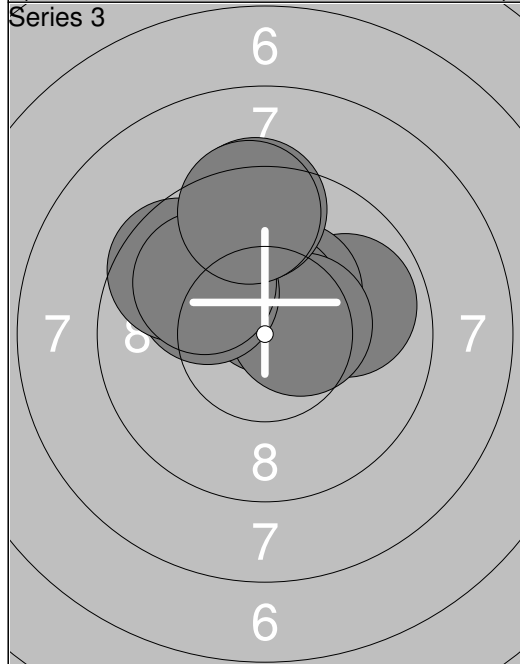
51: 9.8 →
52: 9.9 →
53: 9.8 ←
54: 9.8 ←
55: 9.3 ↓
56: 10.2x ↓
57: 9.6 ↖
58: 9.8 ↓
59: 8.3 →
60: 8.6 ↖
<b>Series 89.0</b>
<b>Total 555.0</b>



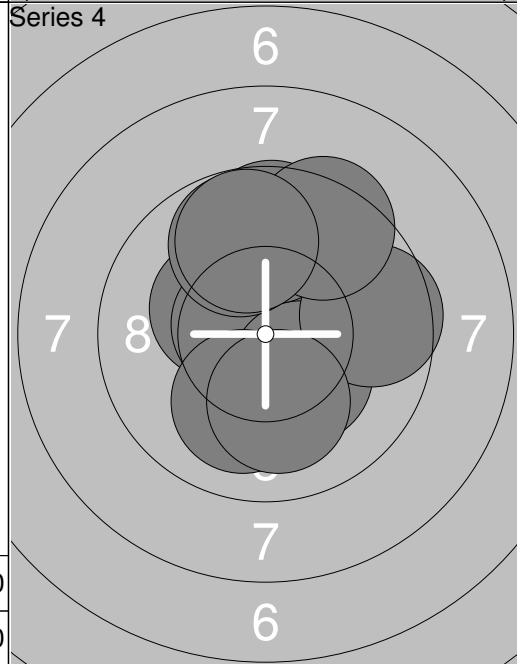
1:	9.2	→
2:	8.9	→
3:	10.2x	↙
4:	10.3x	↓
5:	10.5x	↗
6:	10.0	↗
7:	10.4x	↙
8:	10.7x	↓
9:	9.3	↙
10:	9.8	←
Series		95.0
Total		95.0



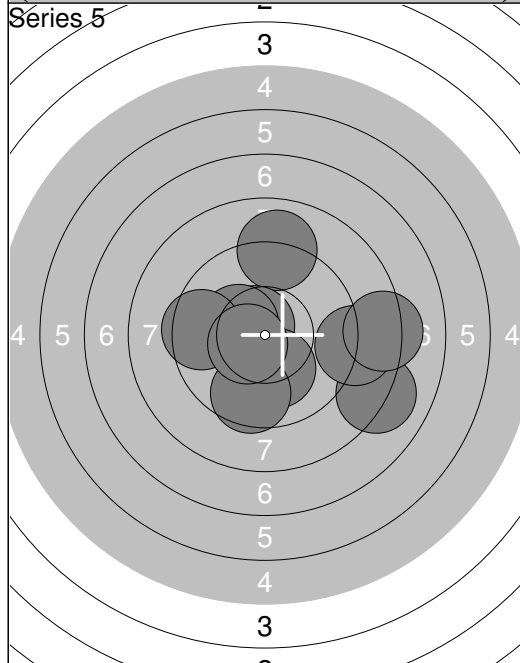
11:	10.7x	↙
12:	10.2x	↖
13:	10.1	↗
14:	10.4x	↗
15:	10.3x	↓
16:	10.7x	↓
17:	9.6	↓
18:	10.1	↓
19:	9.8	→
20:	10.4x	↗
Series		98.0
Total		193.0



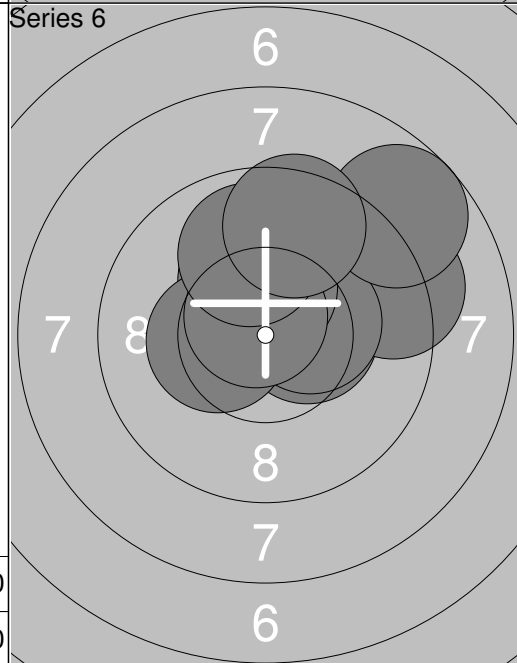
21:	9.9	→
22:	10.4x	↗
23:	10.5x	↗
24:	10.2x	↖
25:	10.5x	→
26:	10.1	↖
27:	9.6	↖
28:	9.4	↑
29:	10.0	↖
30:	9.4	↑
Series		96.0
Total		289.0



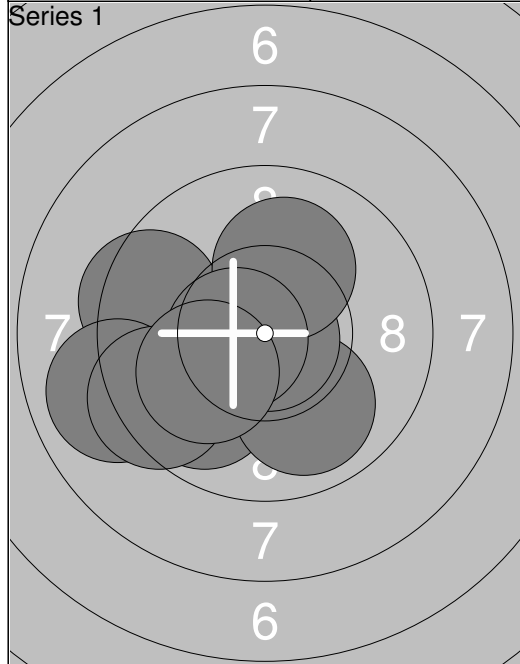
31:	10.3x	↙
32:	10.6x	↙
33:	10.3x	↘
34:	9.7	↑
35:	9.6	→
36:	10.1	↓
37:	9.5	↗
38:	9.8	↑
39:	9.8	↑
40:	10.1	↓
Series		95.0
Total		384.0



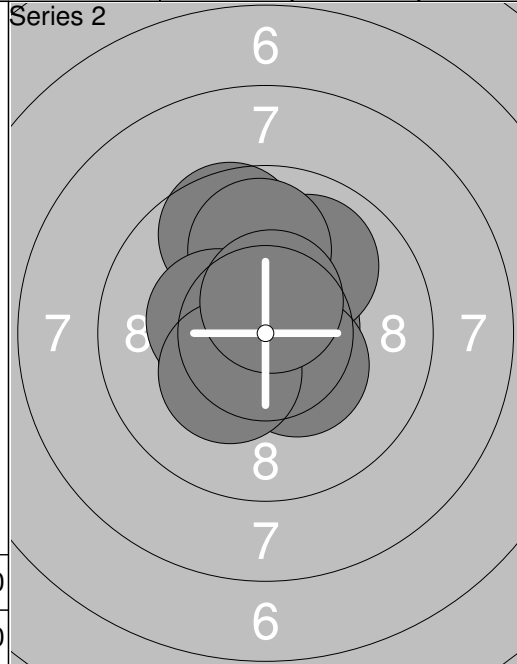
41:	9.0	↑
42:	10.6x	↖
43:	8.1	→
44:	10.3x	↙
45:	9.5	←
46:	8.9	→
47:	8.3	→
48:	10.2x	↓
49:	9.6	↓
50:	10.5x	↙
Series		91.0
Total		475.0



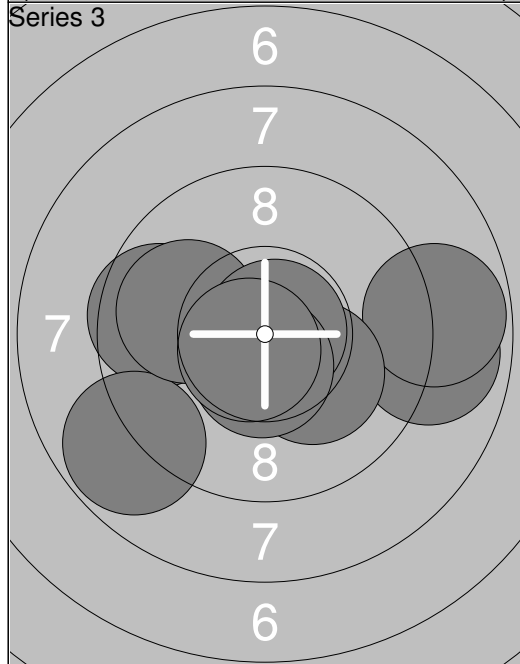
51:	10.4x	→
52:	10.2x	↖
53:	9.2	→
54:	10.4x	→
55:	10.3x	↙
56:	10.3x	↑
57:	10.7x	↖
58:	9.9	↑
59:	8.7	↗
60:	9.6	↑
Series		95.0
Total		570.0



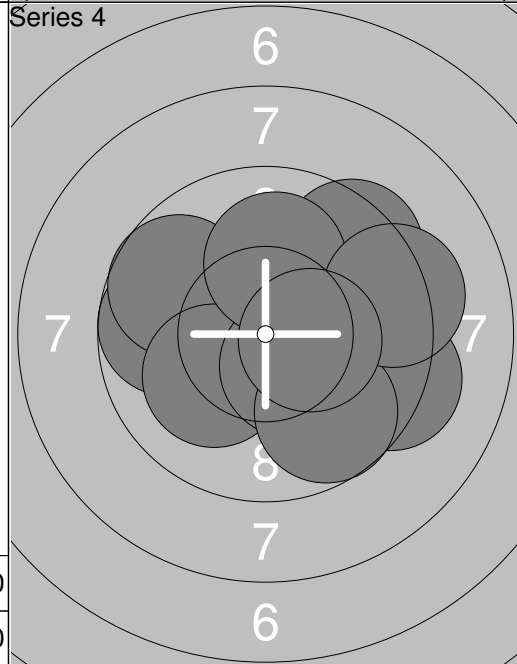
1: 9.6 ←
2: 9.4 ←
3: 9.9 ↘
4: 9.0 ←
5: 9.4 ←
6: 9.9 ↘
7: 10.9x ↘
8: 10.1 ↑
9: 10.6x ←
10: 10.1 ↘
<b>Series</b> 94.0
<b>Total</b> 94.0



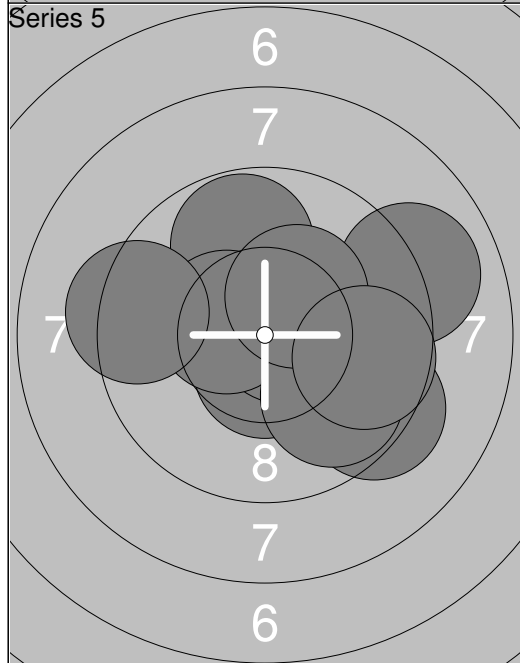
11: 10.7x →
12: 9.6 ↑
13: 10.5x ↑
14: 10.4x ↘
15: 10.0 ↗
16: 10.4x ↘
17: 9.9 ↑
18: 10.3x ←
19: 10.3x ↘
20: 10.5x ↑
<b>Series</b> 98.0
<b>Total</b> 192.0



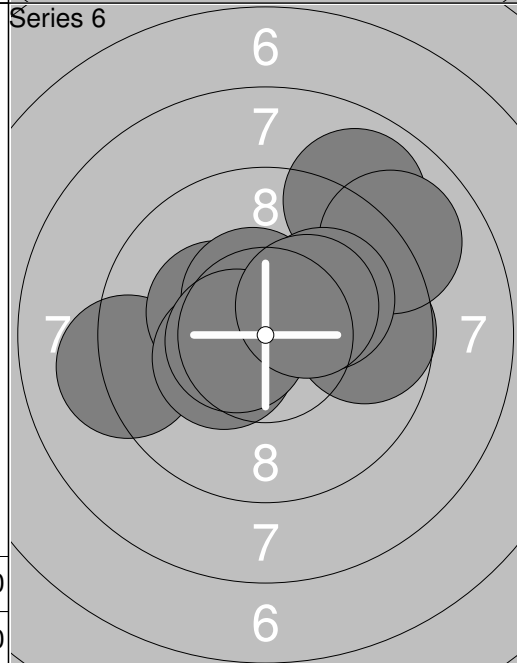
21: 9.6 ←
22: 8.9 →
23: 10.7x ↘
24: 8.8 ↘
25: 8.8 →
26: 9.9 ←
27: 10.2x ↘
28: 10.8x →
29: 10.5x ↓
30: 10.7x ↘
<b>Series</b> 92.0
<b>Total</b> 284.0



31: 9.8 ←
32: 9.7 ↘
33: 9.3 →
34: 9.5 ↗
35: 10.1 ↘
36: 10.4x ↘
37: 9.7 ↘
38: 10.1 ↑
39: 9.3 →
40: 10.4x →
<b>Series</b> 94.0
<b>Total</b> 378.0

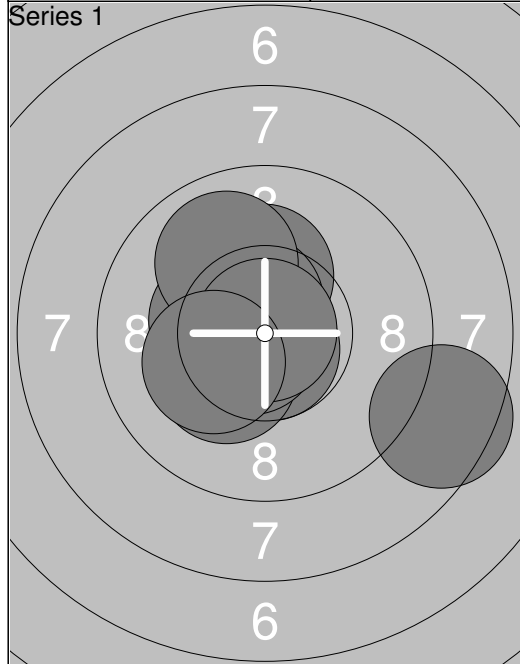


41: 10.6x ↓
42: 9.8 ↑
43: 10.7x →
44: 9.0 →
45: 10.5x ↘
46: 9.3 ←
47: 9.3 ↘
48: 9.8 ↘
49: 10.3x ↗
50: 9.7 →
<b>Series</b> 94.0
<b>Total</b> 472.0

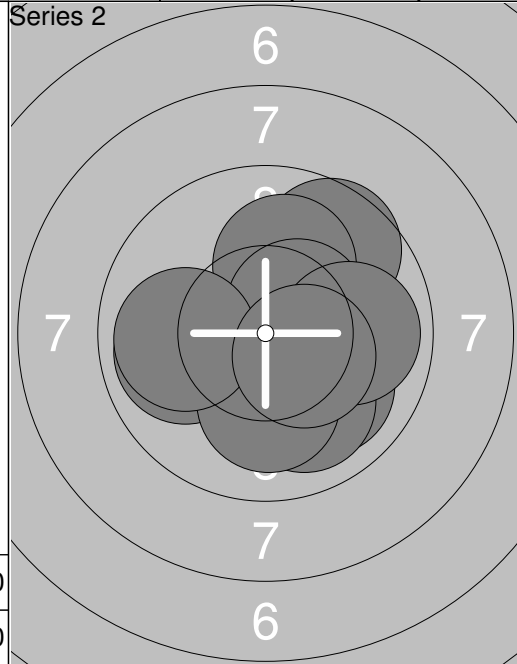


51: 9.2 ←
52: 8.9 ↗
53: 10.3x ↘
54: 10.4x ↘
55: 9.7 →
56: 9.0 ↗
57: 10.5x ↑
58: 10.6x ←
59: 10.1 ↗
60: 10.3x ↗
<b>Series</b> 95.0
<b>Total</b> 567.0

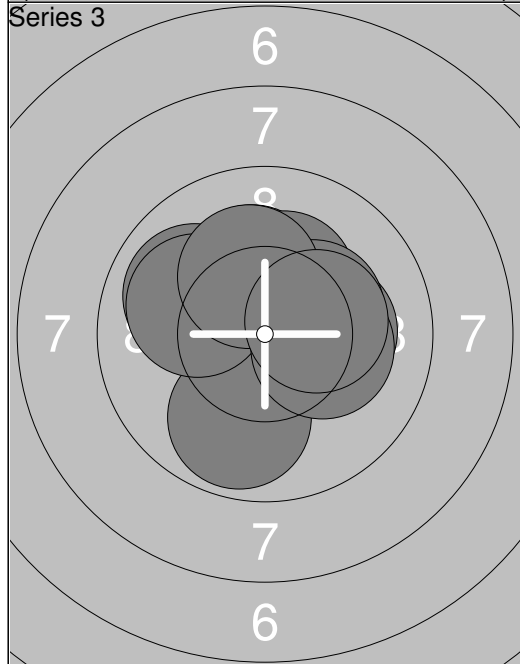




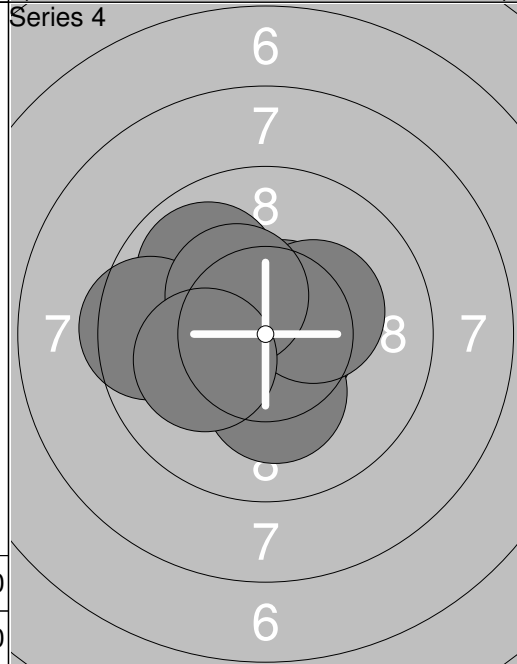
1:	10.7x ↘
2:	10.3x ↙
3:	10.4x ↙
4:	10.7x ↙
5:	10.2x ↑
6:	10.6x ↗
7:	9.9 ↗
8:	10.9x ↑
9:	10.2x ↙
10:	8.5 →
<b>Series</b>	<b>97.0</b>
<b>Total</b>	<b>97.0</b>



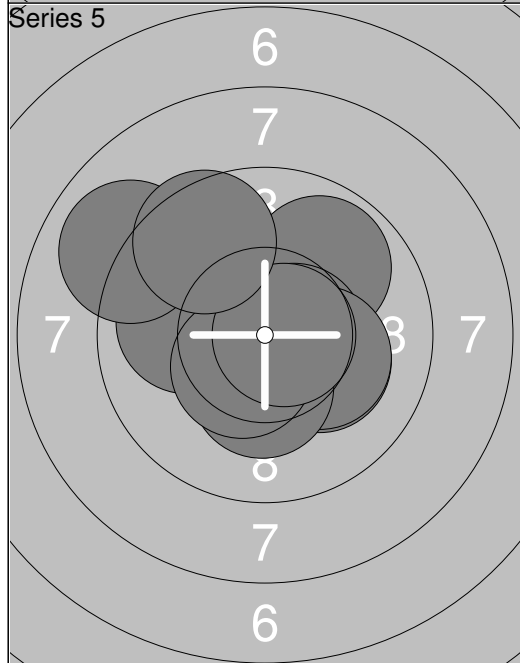
11:	10.0 ↘
12:	9.6 ↗
13:	9.9 ←
14:	10.1 ↗
15:	10.0 ↘
16:	10.5x ↗
17:	9.9 →
18:	10.1 ↓
19:	9.9 ←
20:	10.4x ↘
<b>Series</b>	<b>96.0</b>
<b>Total</b>	<b>193.0</b>



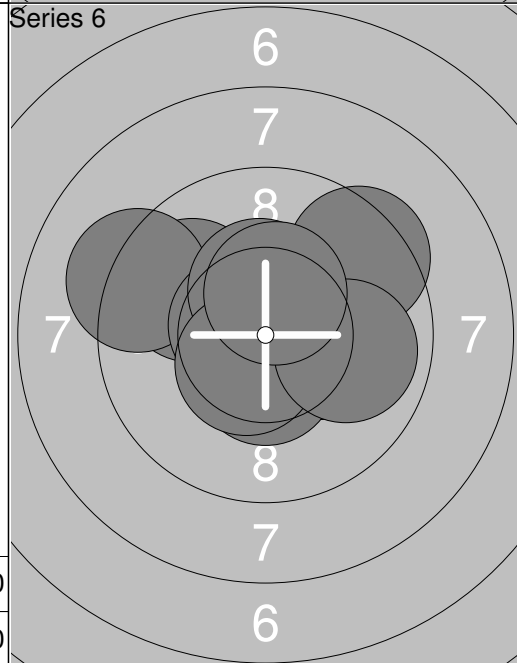
21:	9.8 ↓
22:	10.2x ↑
23:	10.3x ↑
24:	10.0 ↙
25:	10.0 ↙
26:	10.2x →
27:	10.3x →
28:	10.2x ↑
29:	10.2x →
30:	10.3x →
<b>Series</b>	<b>99.0</b>
<b>Total</b>	<b>292.0</b>



31:	10.6x ↗
32:	10.5x ↙
33:	9.9 ↗
34:	10.5x ↗
35:	10.7x →
36:	10.2x ↓
37:	10.3x →
38:	9.5 ←
39:	10.4x ↗
40:	10.1 ←
<b>Series</b>	<b>98.0</b>
<b>Total</b>	<b>390.0</b>



41:	10.0 ←
42:	10.2x →
43:	9.9 ↗
44:	10.6x →
45:	10.2x →
46:	10.3x ↓
47:	10.5x ↙
48:	9.0 ↙
49:	10.7x →
50:	9.6 ↗
<b>Series</b>	<b>97.0</b>
<b>Total</b>	<b>487.0</b>



51:	9.9 ↙
52:	9.2 ↙
53:	10.6x ↙
54:	10.2x →
55:	10.4x ↑
56:	9.4 ↗
57:	10.5x ↓
58:	10.5x ↙
59:	9.9 →
60:	10.4x ↑
<b>Series</b>	<b>96.0</b>
<b>Total</b>	<b>583.0</b>