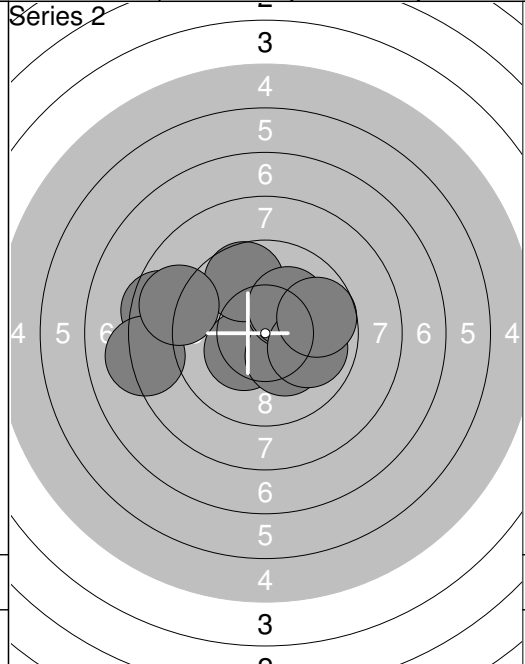
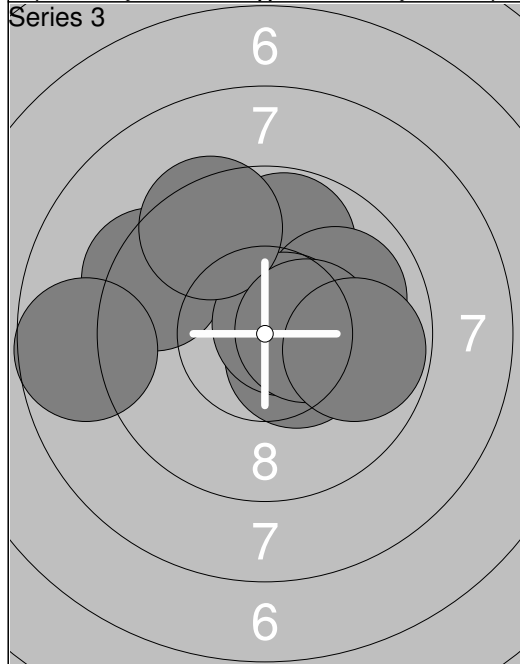


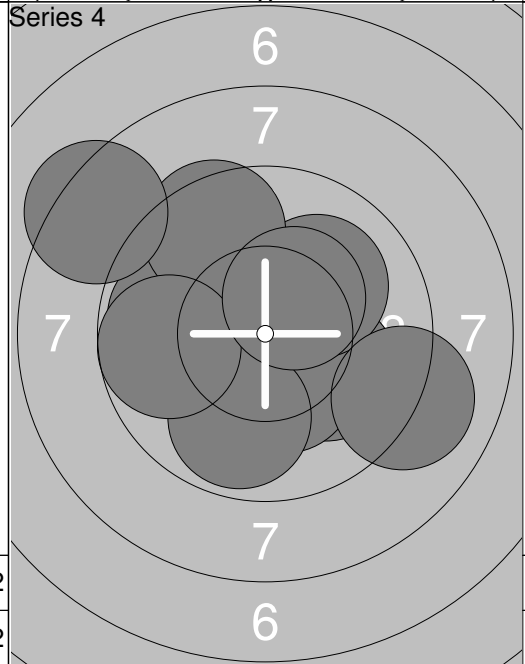
1:	10.5x	↓
2:	10.7x	↓
3:	9.1	←
4:	10.0	↘
5:	7.6	←
6:	9.4	↙
7:	9.1	←
8:	10.7x	→
9:	9.8	↖
10:	10.2x	↓
<b>Series</b>		<b>97.1</b>
<b>Total</b>		<b>97.1</b>



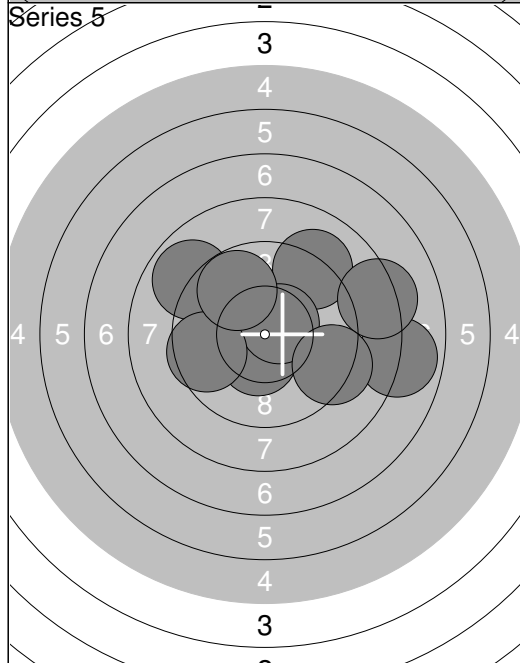
11:	10.3x	↙
12:	10.3x	↘
13:	10.2x	↗
14:	8.5	←
15:	9.7	↖
16:	8.2	←
17:	8.9	←
18:	10.2x	↗
19:	9.9	→
20:	9.7	→
<b>Series</b>		<b>95.9</b>
<b>Total</b>		<b>193.0</b>



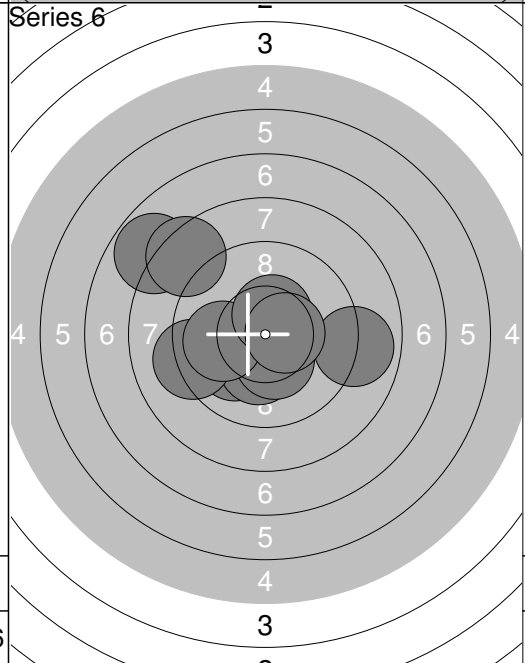
21:	10.4x	→
22:	9.4	←
23:	10.5x	↘
24:	9.8	↑
25:	10.0	↗
26:	10.7x	→
27:	8.7	←
28:	9.5	↖
29:	10.4x	→
30:	9.8	→
<b>Series</b>		<b>99.2</b>
<b>Total</b>		<b>292.2</b>



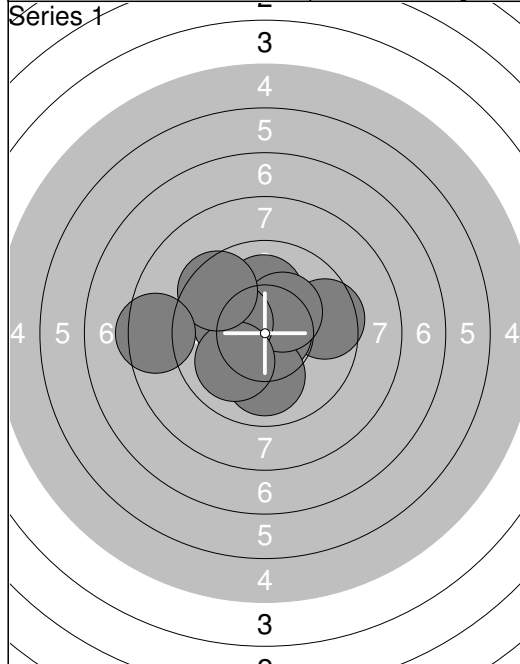
31:	10.1	↘
32:	10.3x	↓
33:	9.8	←
34:	10.1	↗
35:	9.9	↓
36:	9.5	↖
37:	8.4	↖
38:	9.8	←
39:	10.4x	↗
40:	9.0	→
<b>Series</b>		<b>97.3</b>
<b>Total</b>		<b>389.5</b>



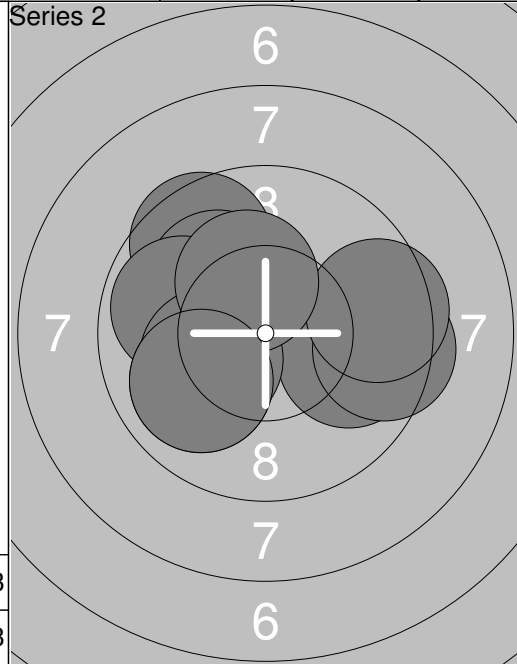
41:	10.2x	↖
42:	7.9	→
43:	9.1	↗
44:	8.3	→
45:	10.4x	↓
46:	10.6x	↗
47:	8.9	↖
48:	9.3	↘
49:	9.6	←
50:	9.8	↖
<b>Series</b>		<b>94.1</b>
<b>Total</b>		<b>483.6</b>



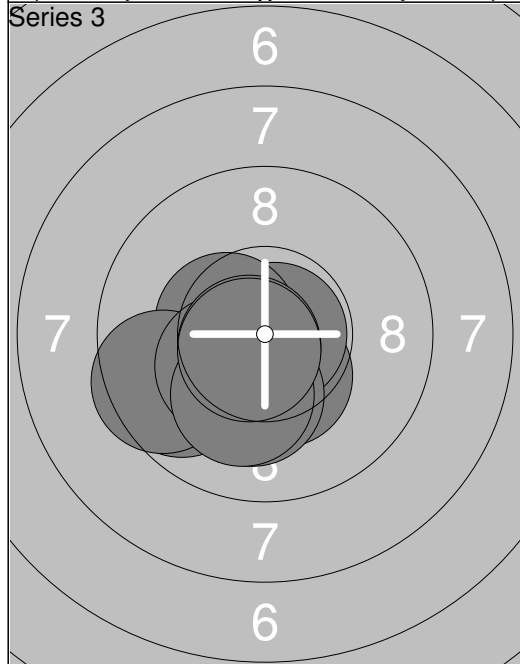
51:	10.0	↙
52:	10.2x	↓
53:	10.3x	↓
54:	9.2	←
55:	8.9	→
56:	10.0	←
57:	10.5x	↖
58:	10.5x	→
59:	7.8	↖
60:	8.4	↖
<b>Series</b>		<b>95.8</b>
<b>Total</b>		<b>579.4</b>



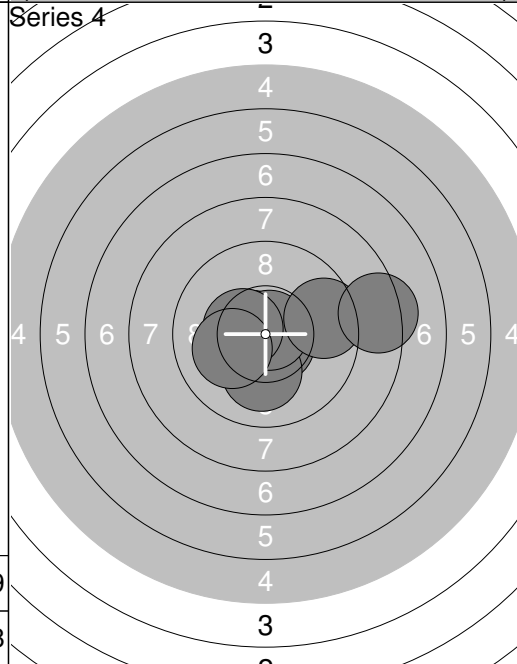
1: 9.6	→
2: 10.8x	→
3: 10.3x	↖
4: 10.1	↑
5: 10.0	↓
6: 10.3x	↗
7: 10.2x	↖
8: 10.0	↙
9: 9.5	↖
10: 8.5	←
<b>Series</b>	<b>99.3</b>
<b>Total</b>	<b>99.3</b>



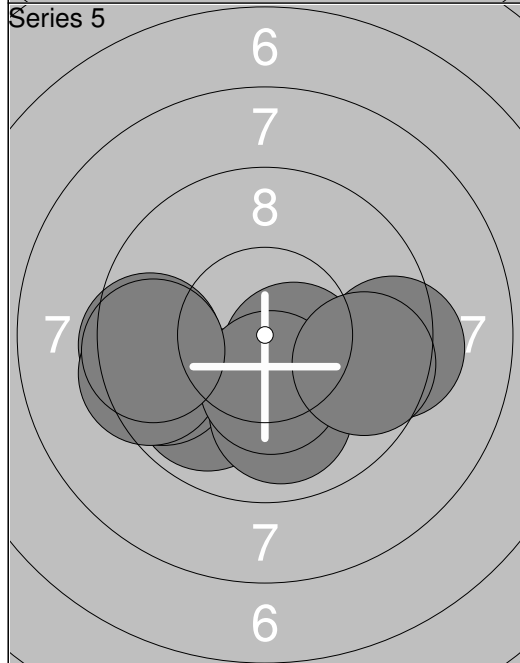
11: 9.6	↗
12: 10.1	↗
13: 9.9	→
14: 9.8	↖
15: 9.4	→
16: 9.9	↙
17: 9.5	→
18: 10.2x	↙
19: 10.3x	↗
20: 9.9	↙
<b>Series</b>	<b>98.6</b>
<b>Total</b>	<b>197.9</b>



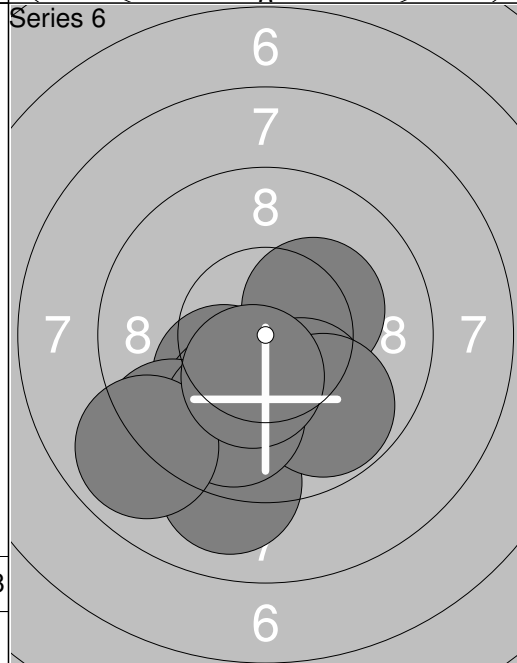
21: 9.7	↙
22: 10.4x	↓
23: 10.8x	→
24: 10.2x	↓
25: 10.5x	↖
26: 9.5	←
27: 10.3x	↙
28: 10.1	↓
29: 10.7x	↙
30: 10.7x	↙
<b>Series</b>	<b>102.9</b>
<b>Total</b>	<b>300.8</b>



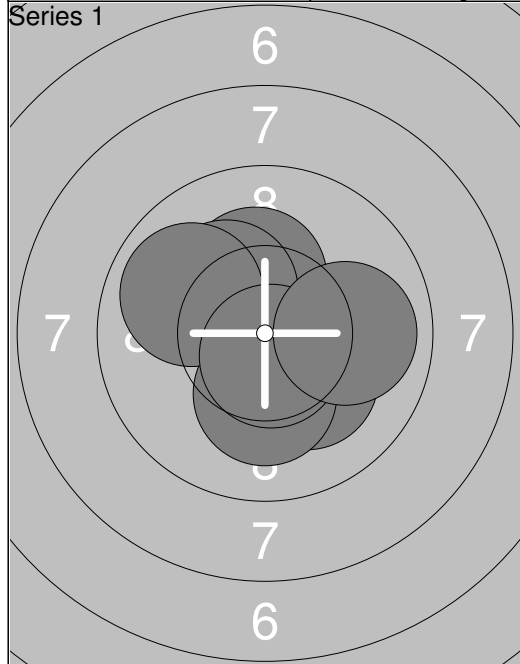
31: 10.4x	↙
32: 10.7x	↘
33: 10.5x	↙
34: 10.6x	↖
35: 10.1	↓
36: 10.8x	↗
37: 10.4x	↖
38: 9.6	→
39: 10.1	←
40: 8.3	→
<b>Series</b>	<b>101.5</b>
<b>Total</b>	<b>402.3</b>



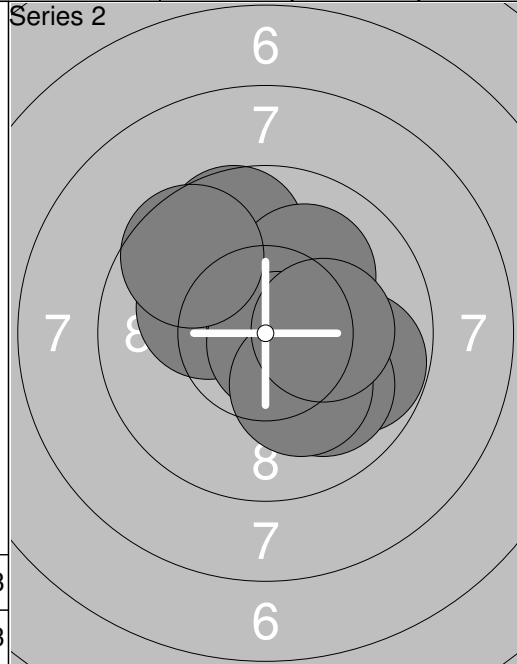
41: 9.3	→
42: 9.5	←
43: 9.9	↙
44: 9.6	←
45: 10.5x	↘
46: 10.0	↓
47: 9.4	←
48: 10.4x	↓
49: 9.5	←
50: 9.7	→
<b>Series</b>	<b>97.8</b>
<b>Total</b>	<b>500.1</b>



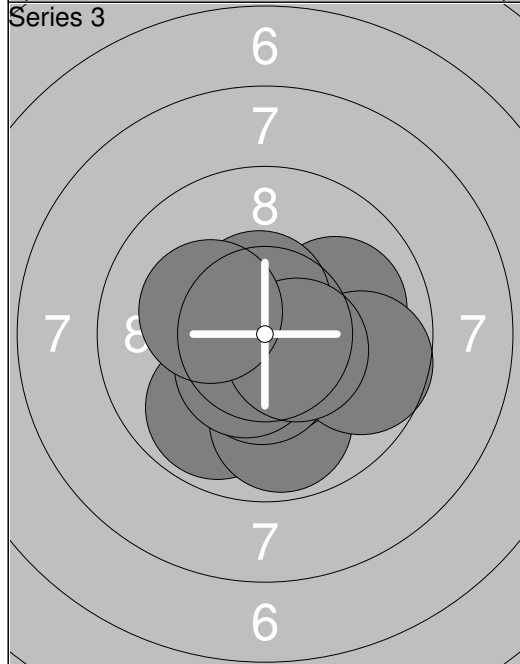
51: 10.3x	↗
52: 10.1	↘
53: 10.2x	↙
54: 10.0	↓
55: 9.3	↙
56: 9.1	↓
57: 9.8	↘
58: 9.9	↓
59: 8.9	↙
60: 10.4x	↘
<b>Series</b>	<b>98.0</b>
<b>Total</b>	<b>598.1</b>



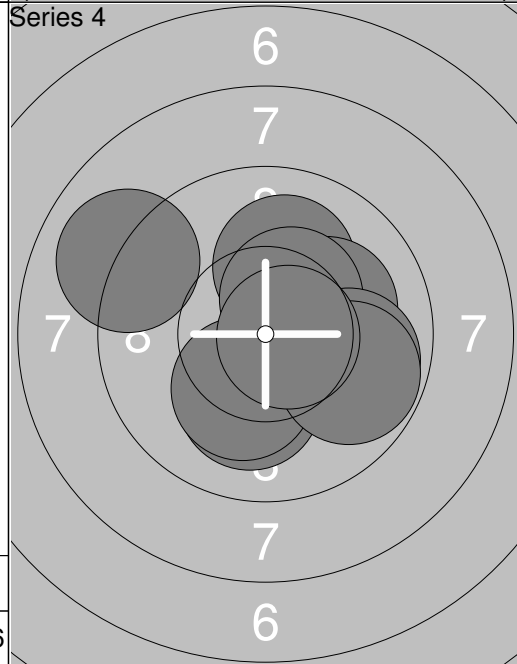
1:	10.2x →
2:	10.2x ↘
3:	10.7x ↓
4:	10.2x ↓
5:	10.9x ↘
6:	10.3x ↑
7:	10.2x ↖
8:	9.9 ↖
9:	10.7x ↓
10:	10.0 →
<b>Series</b>	<b>103.3</b>
<b>Total</b>	<b>103.3</b>



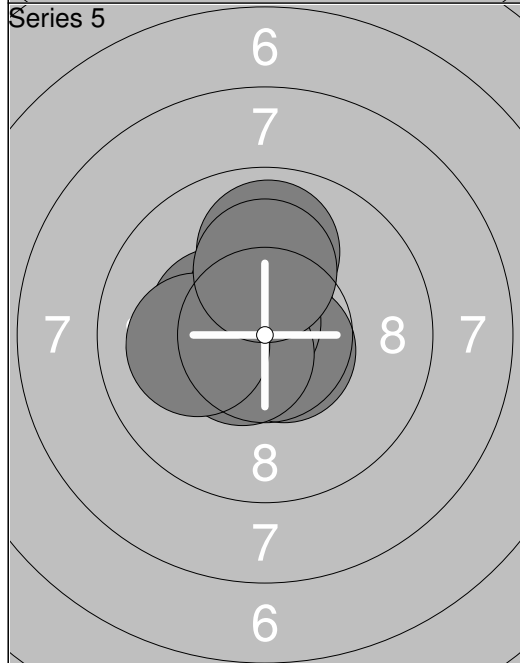
11:	10.1 ↖
12:	9.8 →
13:	9.7 ↑
14:	10.7x ↗
15:	10.0 ↘
16:	10.1 ↗
17:	10.8x ↘
18:	9.6 ↖
19:	10.2x ↓
20:	10.2x →
<b>Series</b>	<b>101.2</b>
<b>Total</b>	<b>204.5</b>



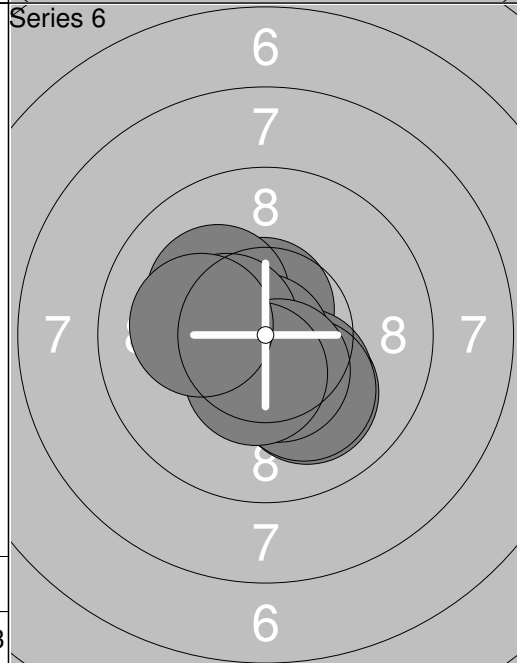
21:	9.8 ↘
22:	9.8 ↓
23:	10.6x ↓
24:	10.0 →
25:	10.5x ↑
26:	10.5x ↓
27:	10.5x ↘
28:	9.7 →
29:	10.5x ↘
30:	10.2x ↖
<b>Series</b>	<b>102.1</b>
<b>Total</b>	<b>306.6</b>



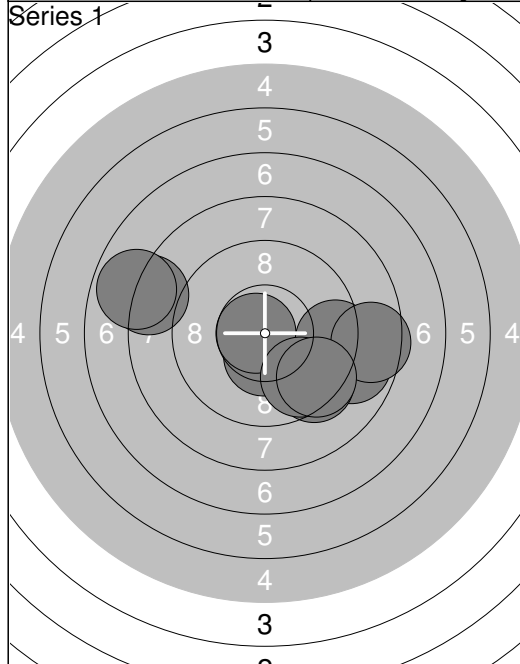
31:	10.1 ↓
32:	10.3x ↗
33:	10.1 ↑
34:	9.0 ↖
35:	10.1 →
36:	10.2x ↓
37:	10.4x ↗
38:	9.9 →
39:	9.8 →
40:	10.7x →
<b>Series</b>	<b>100.6</b>
<b>Total</b>	<b>407.2</b>



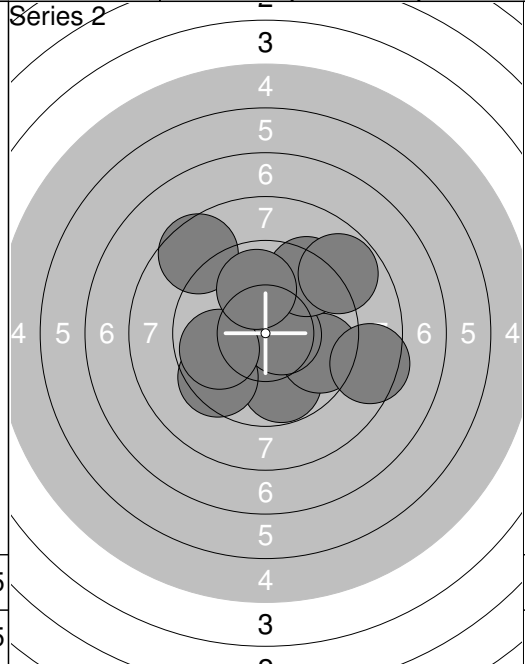
41:	9.9 ↑
42:	10.3x ↖
43:	10.7x ↑
44:	10.5x ↖
45:	10.5x ↑
46:	10.6x ↘
47:	10.7x ↖
48:	10.6x ↖
49:	10.1 ←
50:	10.2x ↑
<b>Series</b>	<b>104.1</b>
<b>Total</b>	<b>511.3</b>



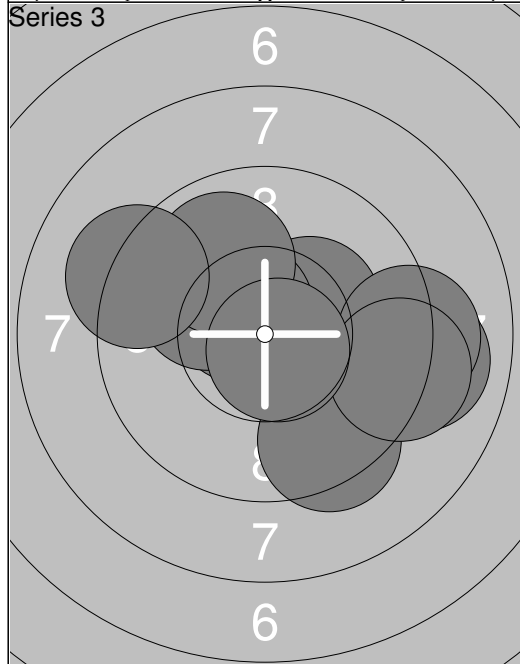
51:	10.6x ↑
52:	10.1 ↓
53:	10.2x ↓
54:	10.2x ↖
55:	10.8x ↘
56:	10.5x ↖
57:	10.1 ↓
58:	10.5x ↓
59:	10.5x ↓
60:	10.1 ←
<b>Series</b>	<b>103.6</b>
<b>Total</b>	<b>614.9</b>



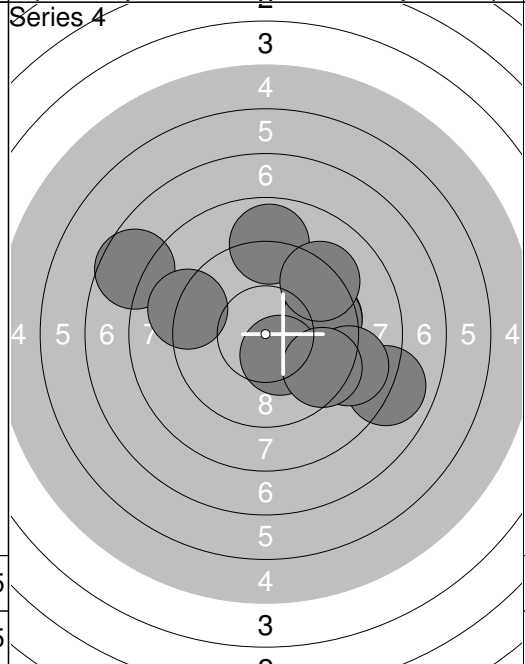
1:	10.4x	↓
2:	8.9	→
3:	9.4	↓
4:	10.8x	←
5:	9.3	→
6:	8.2	←
7:	8.5	→
8:	7.9	←
9:	9.7	↓
10:	9.4	↓
Series		92.5
Total		92.5



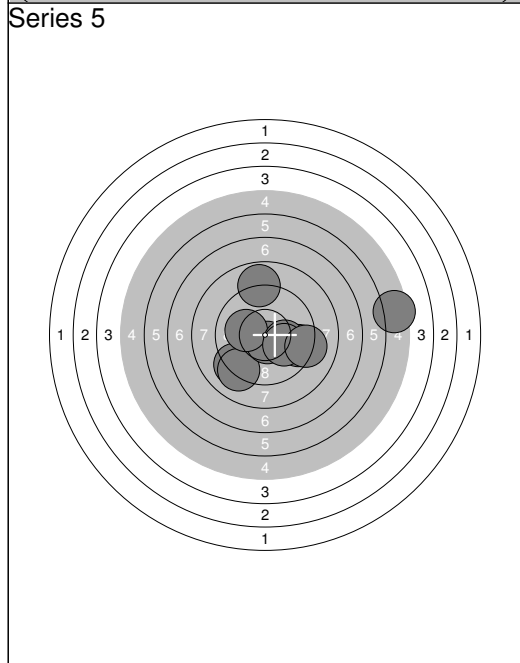
11:	9.8	↓
12:	9.6	→
13:	10.6x	→
14:	9.4	↗
15:	8.5	→
16:	9.5	↙
17:	8.8	↗
18:	9.8	←
19:	8.6	↖
20:	9.9	↑
Series		94.5
Total		187.0



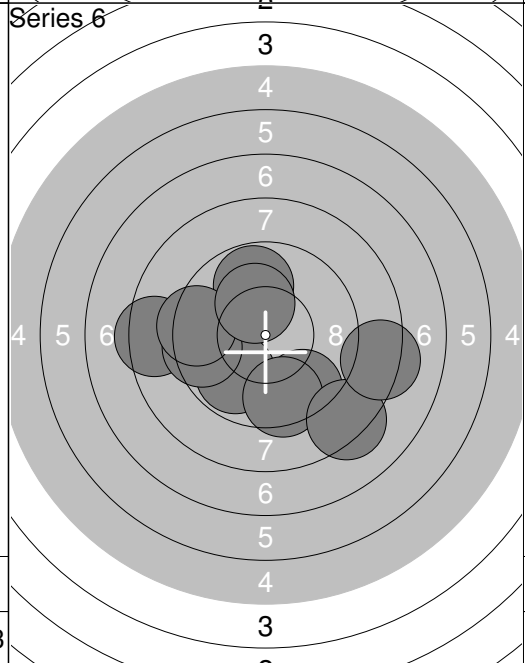
21:	10.3x	→
22:	9.0	→
23:	9.1	→
24:	10.6x	↗
25:	9.4	↓
26:	10.1	↖
27:	9.9	↗
28:	9.2	→
29:	9.2	←
30:	10.7x	↓
Series		97.5
Total		284.5



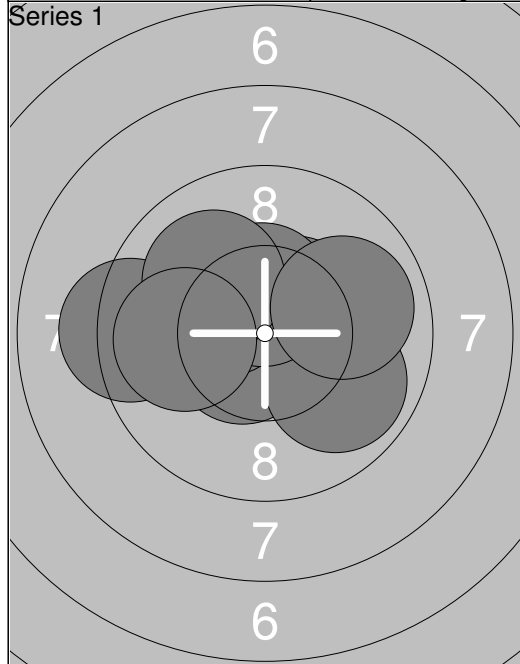
31:	7.6	←
32:	8.9	↑
33:	9.6	→
34:	9.6	→
35:	9.2	↗
36:	9.1	←
37:	10.4x	↓
38:	8.0	→
39:	8.9	→
40:	9.4	↓
Series		90.7
Total		375.2



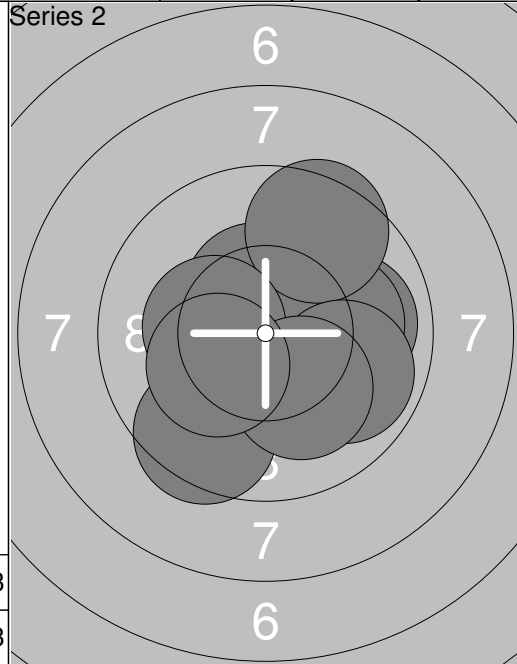
41:	9.2	↓
42:	9.5	→
43:	9.1	↓
44:	10.6x	↓
45:	10.1	←
46:	8.8	↑
47:	10.1	→
48:	5.4	→
49:	10.1	↓
50:	9.2	→
Series		92.1
Total		467.3



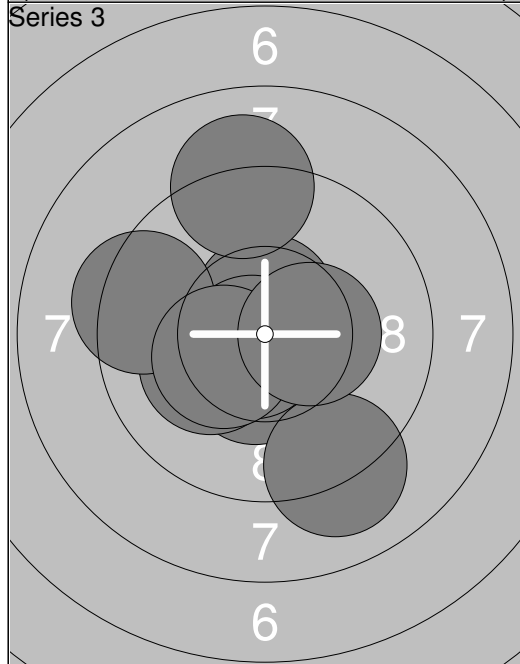
51:	9.8	↓
52:	8.4	←
53:	9.8	↑
54:	9.5	←
55:	9.4	←
56:	9.4	↓
57:	10.2x	↑
58:	9.5	↓
59:	8.3	↓
60:	8.3	→
Series		92.6
Total		559.9



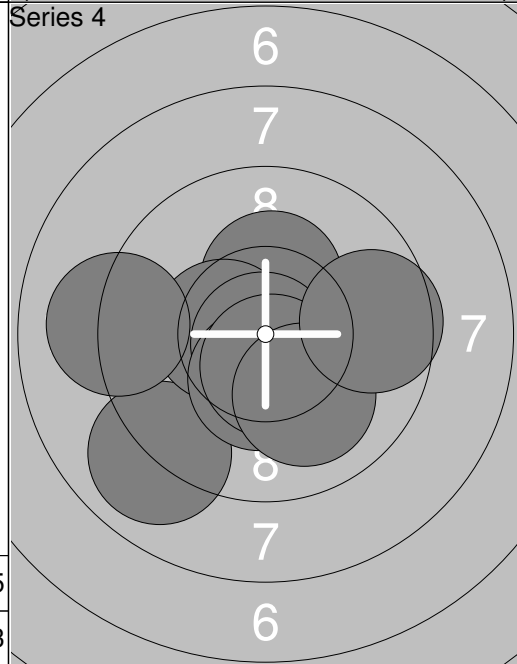
1:	10.5x ↗
2:	10.6x ↙
3:	10.3x ↖
4:	10.2x →
5:	9.9 ↘
6:	10.5x ↑
7:	9.3 ←
8:	10.1 ↖
9:	10.0 →
10:	9.9 ←
<b>Series</b>	<b>101.3</b>
<b>Total</b>	<b>101.3</b>



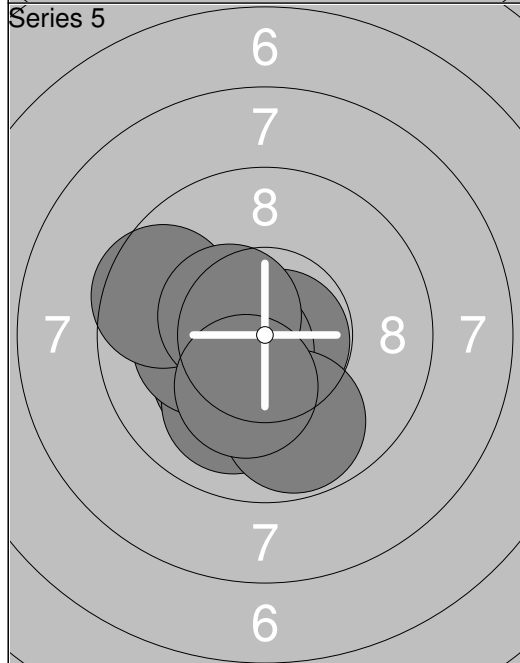
11:	10.4x ↑
12:	9.9 →
13:	10.6x ↙
14:	10.1 →
15:	9.5 ↑
16:	9.9 ↘
17:	9.5 ↙
18:	10.3x ←
19:	10.1 ↘
20:	10.2x ↙
<b>Series</b>	<b>100.5</b>
<b>Total</b>	<b>201.8</b>



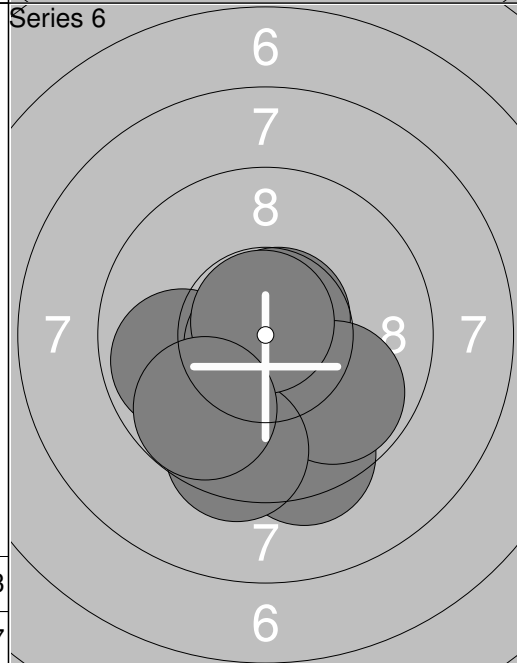
21:	10.2x ←
22:	10.6x ↑
23:	10.5x ↓
24:	10.2x ↙
25:	9.1 ↘
26:	10.7x ↙
27:	9.4 ←
28:	9.1 ↑
29:	10.3x ↙
30:	10.4x →
<b>Series</b>	<b>100.5</b>
<b>Total</b>	<b>302.3</b>



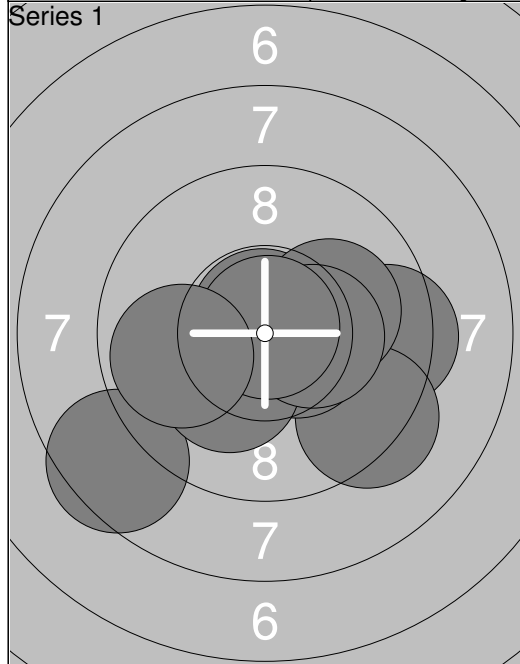
31:	10.9x ↗
32:	9.0 ↙
33:	10.3x ↑
34:	10.4x ←
35:	10.8x ↓
36:	10.4x ↓
37:	9.1 ←
38:	10.6x ↓
39:	10.0 ↘
40:	9.6 →
<b>Series</b>	<b>101.1</b>
<b>Total</b>	<b>403.4</b>



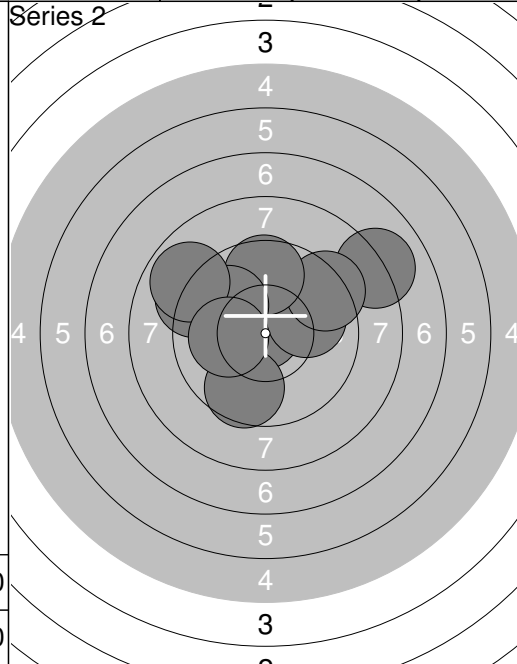
41:	10.4x ↙
42:	10.8x ↘
43:	10.6x ↙
44:	10.2x ↙
45:	10.0 ↓
46:	10.2x ←
47:	9.6 ←
48:	9.8 ↓
49:	10.4x ↖
50:	10.3x ↓
<b>Series</b>	<b>102.3</b>
<b>Total</b>	<b>505.7</b>



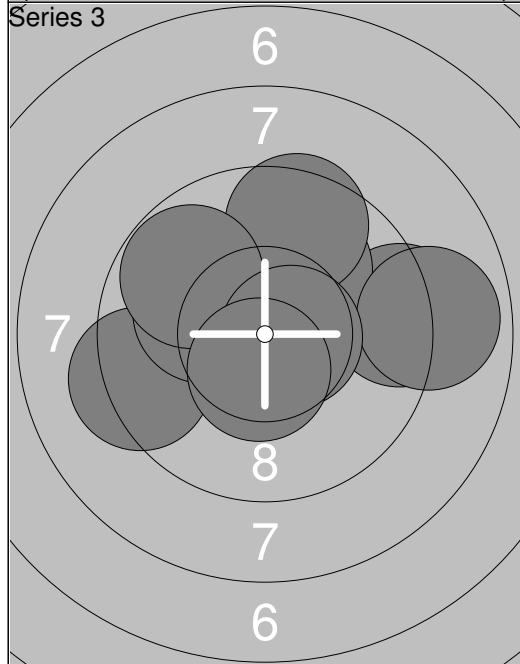
51:	9.9 ←
52:	9.9 ↓
53:	10.7x ↗
54:	10.1 ↓
55:	10.8x ↙
56:	9.4 ↓
57:	9.8 ↘
58:	9.5 ↓
59:	10.8x ↑
60:	9.8 ↙
<b>Series</b>	<b>100.7</b>
<b>Total</b>	<b>606.4</b>



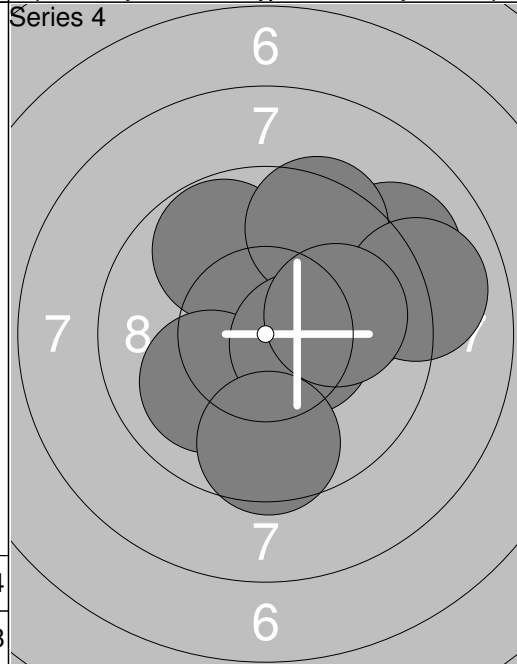
1: 9.4	→
2: 8.5	↙
3: 9.3	↘
4: 10.8x	↑
5: 10.5x	→
6: 10.2x	↙
7: 10.1	→
8: 10.4x	→
9: 10.9x	↗
10: 9.9	←
Series	100.0
Total	100.0



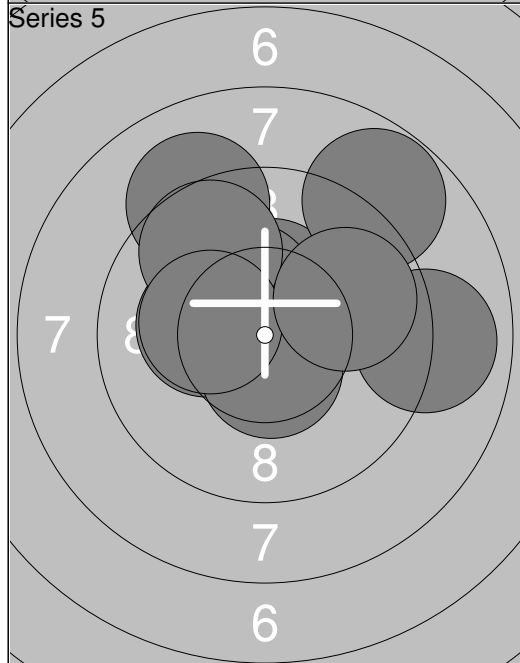
11: 10.8x	↖
12: 9.6	↙
13: 8.1	↗
14: 9.9	↗
15: 9.3	↗
16: 9.6	↑
17: 9.2	↖
18: 9.9	↖
19: 8.9	↖
20: 10.1	←
Series	95.4
Total	195.4



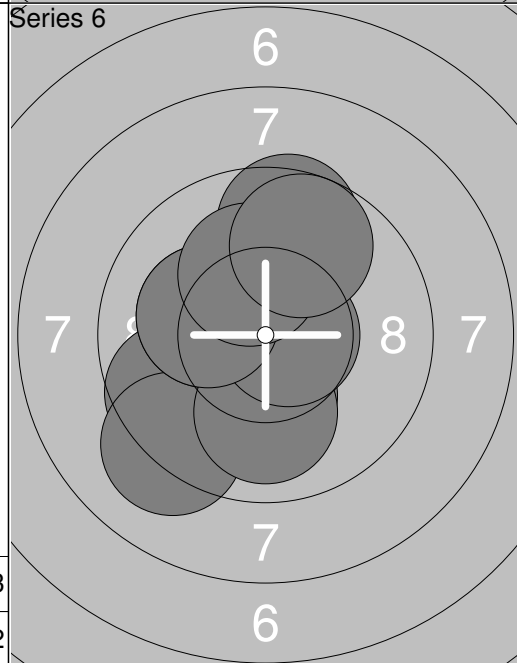
21: 10.2x	↖
22: 9.3	←
23: 9.3	→
24: 10.1	↖
25: 10.1	↗
26: 9.6	↑
27: 8.9	→
28: 9.8	↖
29: 10.6x	→
30: 10.5x	↘
Series	98.4
Total	293.8



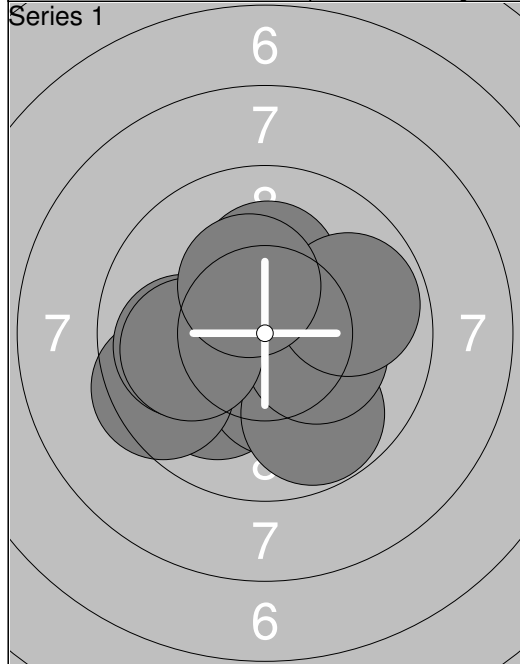
31: 9.1	↗
32: 9.9	↗
33: 10.6x	↙
34: 9.8	↖
35: 9.5	↗
36: 10.1	↙
37: 10.5x	→
38: 9.0	→
39: 9.6	↓
40: 10.0	→
Series	98.1
Total	391.9



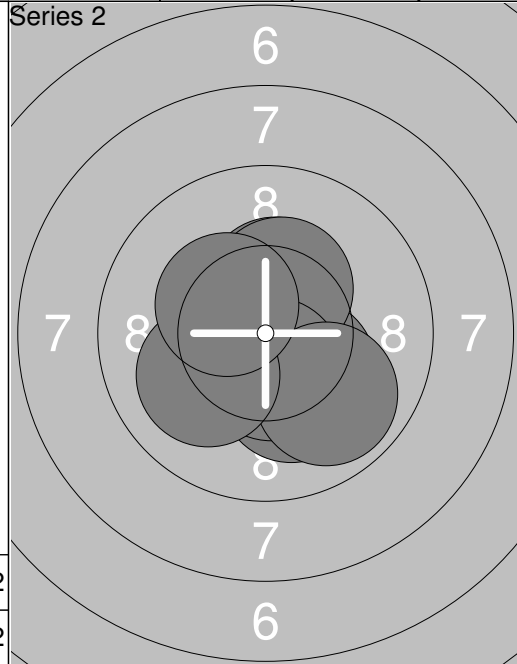
41: 10.4x	↑
42: 10.2x	↖
43: 9.1	↗
44: 10.4x	↗
45: 9.7	↗
46: 10.5x	↘
47: 8.8	↗
48: 9.0	→
49: 10.3x	↖
50: 9.9	↗
Series	98.3
Total	490.2



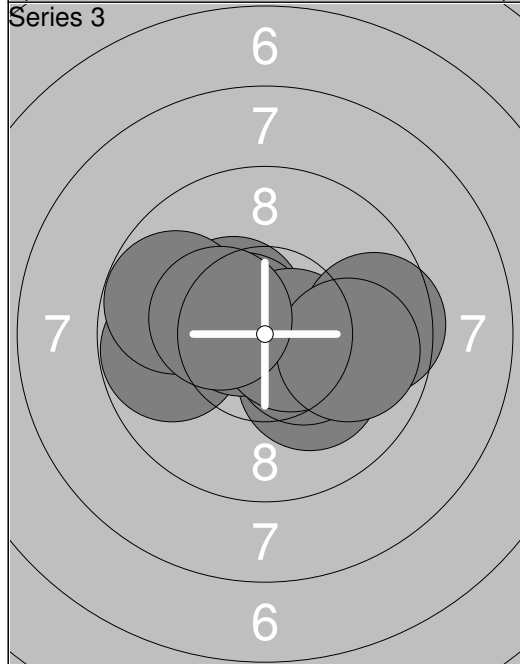
51: 9.6	↑
52: 10.2x	↘
53: 9.6	↖
54: 9.2	↙
55: 10.2x	↖
56: 10.0	↓
57: 10.7x	→
58: 10.2x	↖
59: 10.2x	↗
60: 9.7	↗
Series	99.6
Total	589.8



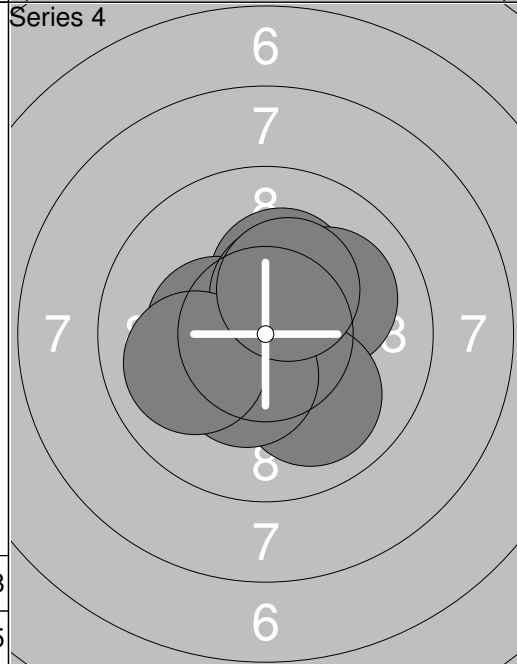
1:	10.1 ↙
2:	10.3x ↓
3:	9.5 ↙
4:	9.8 ↓
5:	9.9 ←
6:	10.3x →
7:	10.0 ←
8:	10.2x ↑
9:	9.8 →
10:	10.3x ↑
Series	100.2
Total	100.2



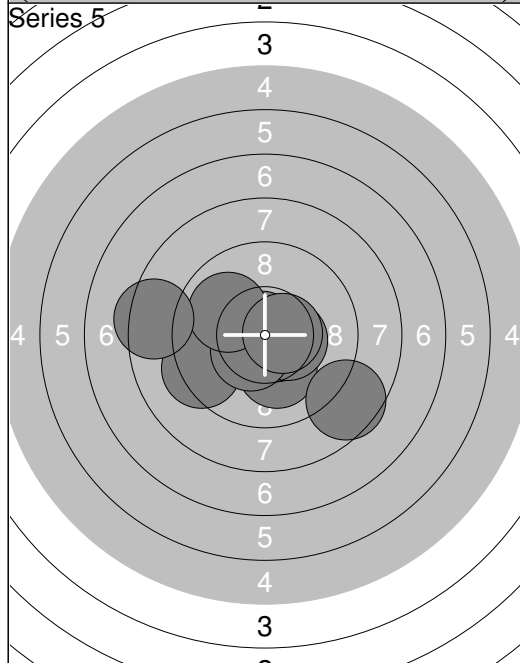
11:	10.3x ↘
12:	10.1 ↘
13:	10.5x ↖
14:	10.4x ↑
15:	10.4x ↑
16:	10.1 ↓
17:	10.5x ↓
18:	9.9 ↓
19:	10.0 ↙
20:	10.3x ↖
Series	102.5
Total	202.7



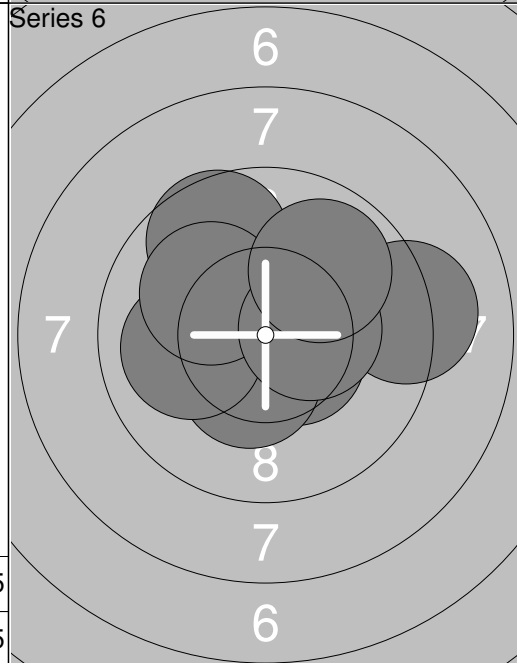
21:	9.8 ←
22:	10.2x ↓
23:	10.4x ↖
24:	10.4x →
25:	10.7x ↖
26:	10.6x →
27:	9.6 →
28:	9.8 ←
29:	9.9 →
30:	10.4x ↖
Series	101.8
Total	304.5



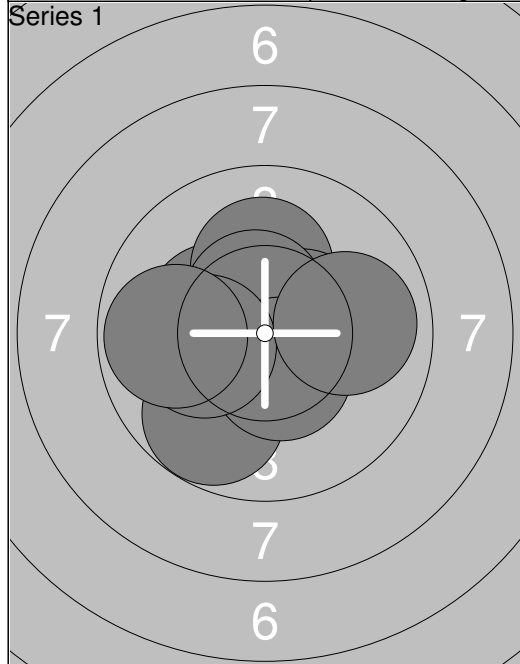
31:	10.2x ↑
32:	10.9x ↓
33:	10.8x →
34:	10.1 ↗
35:	10.4x ↖
36:	10.4x ↑
37:	10.0 ↓
38:	10.4x ↓
39:	10.0 ←
40:	10.3x ↑
Series	103.5
Total	408.0



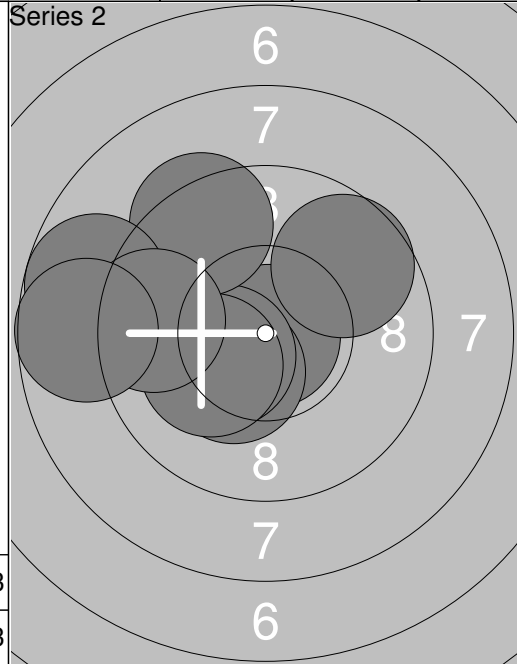
41:	9.3 ↙
42:	10.8x ↖
43:	10.2x ↓
44:	10.7x ↘
45:	10.4x →
46:	8.6 ↓
47:	10.5x ↘
48:	10.0 ↖
49:	10.6x →
50:	8.4 ←
Series	99.5
Total	507.5



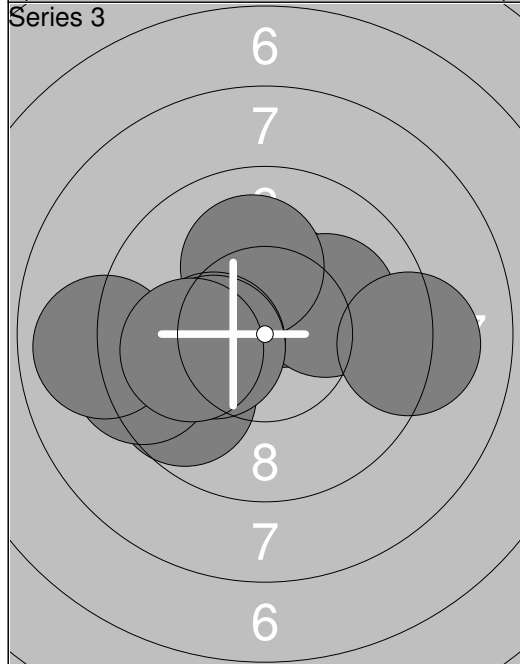
51:	9.2 →
52:	10.6x ↓
53:	10.3x ↖
54:	10.5x ↘
55:	10.4x ↓
56:	9.7 ↑
57:	10.0 ←
58:	10.1 ↖
59:	10.4x →
60:	9.9 ↗
Series	101.1
Total	608.6



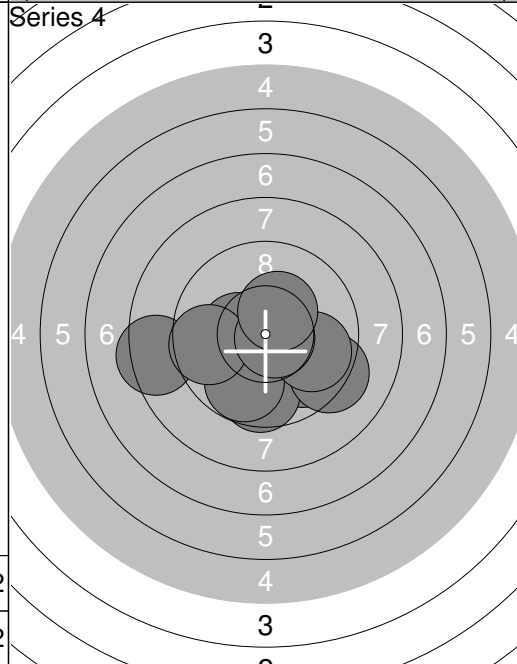
1: 9.8 ↘
2: 10.3x ↙
3: 10.7x ↗
4: 10.1 ↑
5: 10.5x →
6: 10.5x ↑
7: 10.5x ↓
8: 10.2x ↙
9: 9.8 ←
10: 9.9 →
<b>Series</b> 102.3
<b>Total</b> 102.3



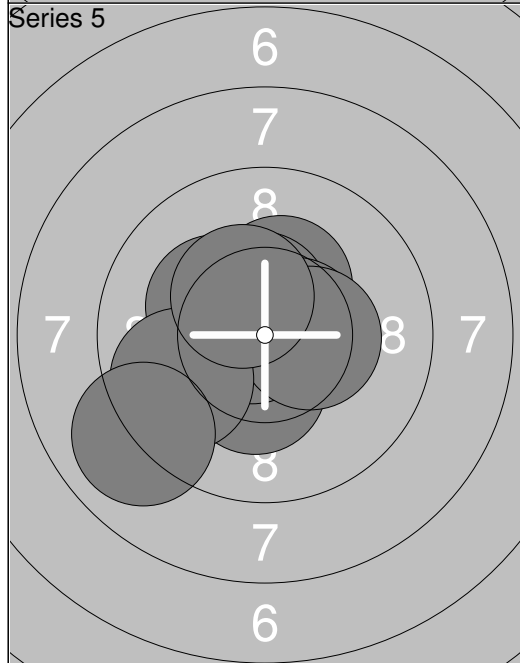
11: 10.9x ↘
12: 9.7 ↗
13: 10.3x ↙
14: 10.3x ↙
15: 9.4 ↖
16: 10.2x ↙
17: 8.9 ←
18: 8.8 ←
19: 9.5 ←
20: 8.7 ←
<b>Series</b> 96.7
<b>Total</b> 199.0



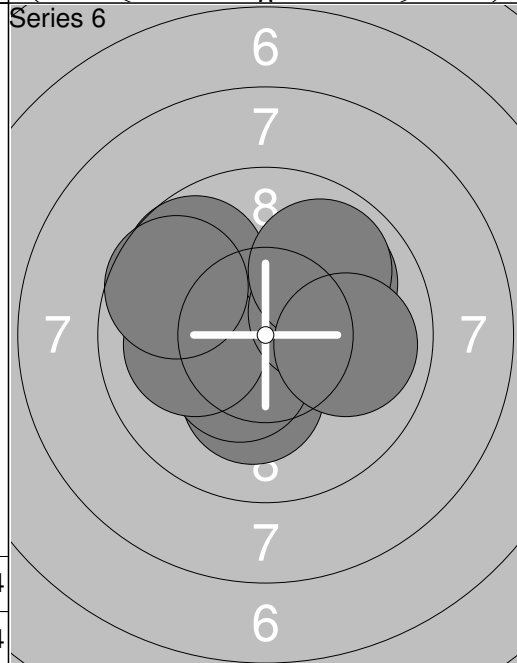
21: 10.4x ↑
22: 10.1 →
23: 10.1 ↑
24: 10.3x ↙
25: 9.1 →
26: 9.7 ↙
27: 9.3 ←
28: 8.9 ←
29: 10.3x ↙
30: 10.0 ←
<b>Series</b> 98.2
<b>Total</b> 297.2



31: 9.8 ↘
32: 9.6 ↓
33: 10.3x ↙
34: 9.3 ↘
35: 8.4 ←
36: 9.8 ↙
37: 9.7 ←
38: 9.9 ↘
39: 10.7x →
40: 10.3x ↑
<b>Series</b> 97.8
<b>Total</b> 395.0

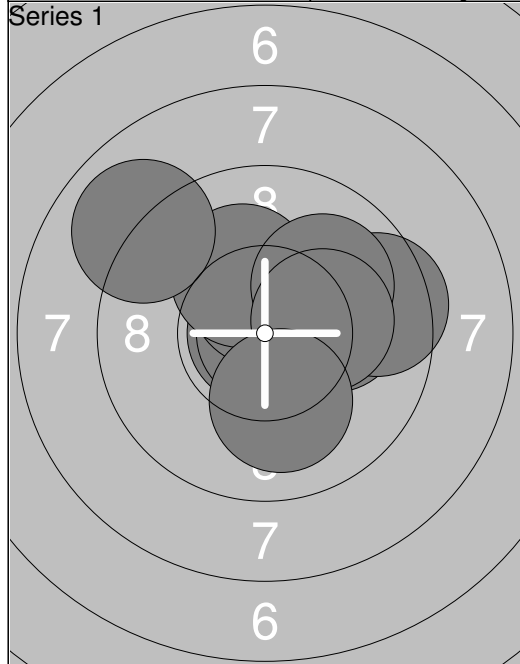


41: 10.3x ↑
42: 10.5x ↑
43: 10.4x ↓
44: 10.2x ↙
45: 10.6x →
46: 10.8x ↙
47: 10.4x →
48: 9.8 ←
49: 10.4x ↖
50: 9.0 ↙
<b>Series</b> 102.4
<b>Total</b> 497.4

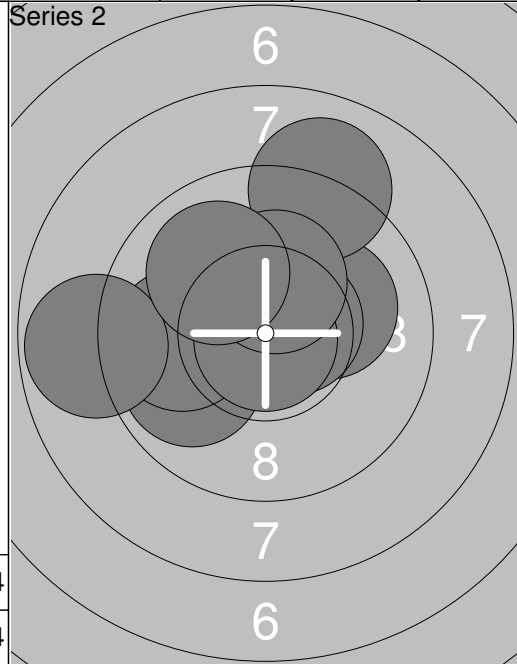


51: 10.8x ↙
52: 9.8 ↖
53: 10.2x ↓
54: 10.4x ↙
55: 9.9 ↗
56: 10.1 ←
57: 10.2x →
58: 9.7 ↖
59: 9.9 ↗
60: 9.9 →
<b>Series</b> 100.9
<b>Total</b> 598.3

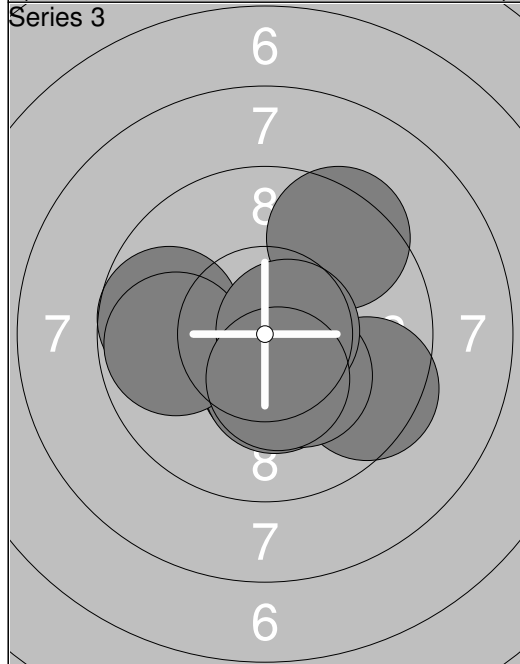




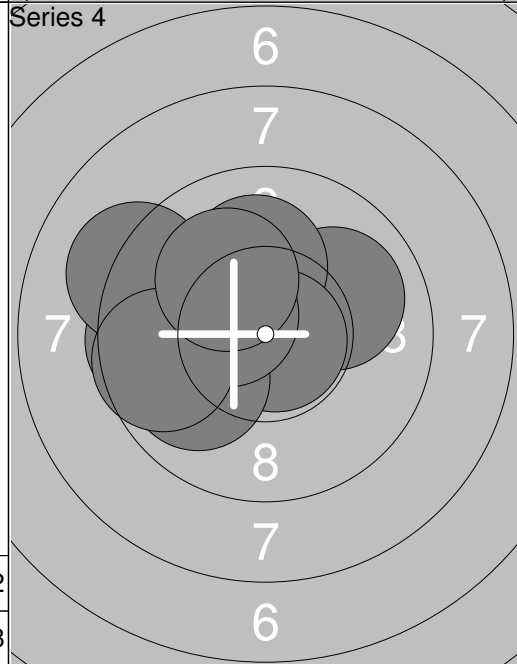
1:	10.9x	←
2:	10.1	→
3:	9.5	→
4:	10.9x	→
5:	10.5x	↑
6:	10.2x	↑
7:	10.0	↗
8:	10.2x	→
9:	9.0	↖
10:	10.1	↓
Series	101.4	
Total	101.4	



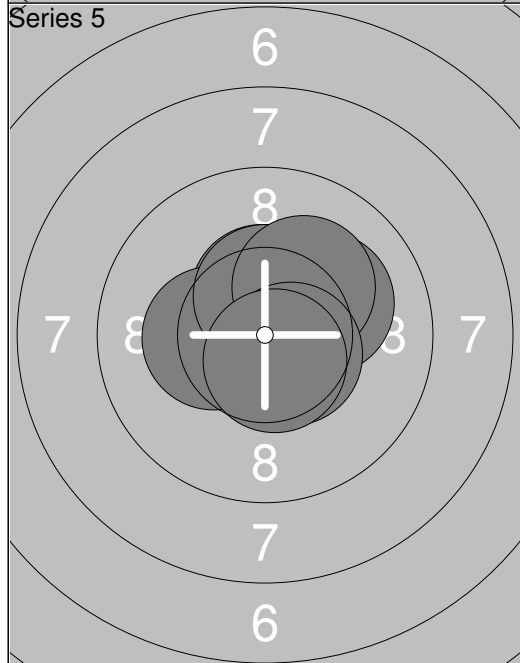
11:	9.9	↖
12:	10.1	↗
13:	10.7x	↗
14:	9.9	←
15:	8.8	←
16:	9.0	↑
17:	10.6x	↗
18:	10.9x	↓
19:	10.3x	↑
20:	10.0	↖
Series	100.2	
Total	201.6	



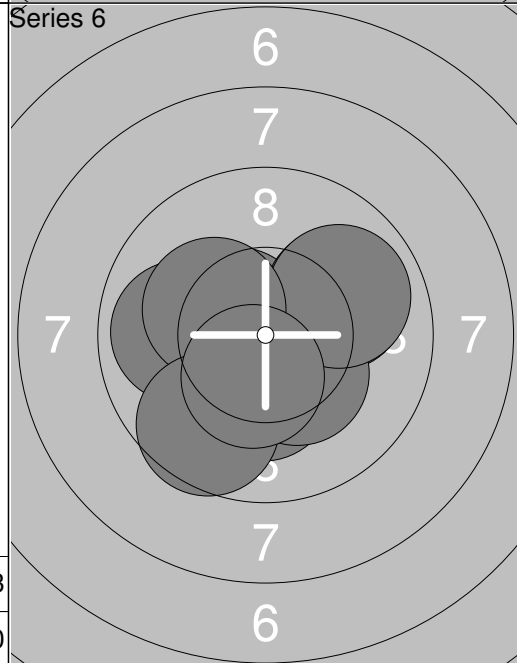
21:	9.4	↗
22:	10.4x	↓
23:	9.5	→
24:	10.3x	↓
25:	10.3x	↓
26:	10.7x	↓
27:	9.7	←
28:	9.8	←
29:	10.7x	→
30:	10.4x	↓
Series	101.2	
Total	302.8	



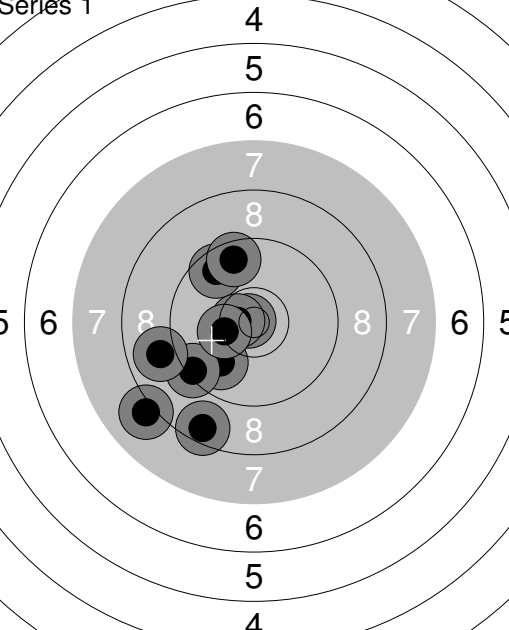
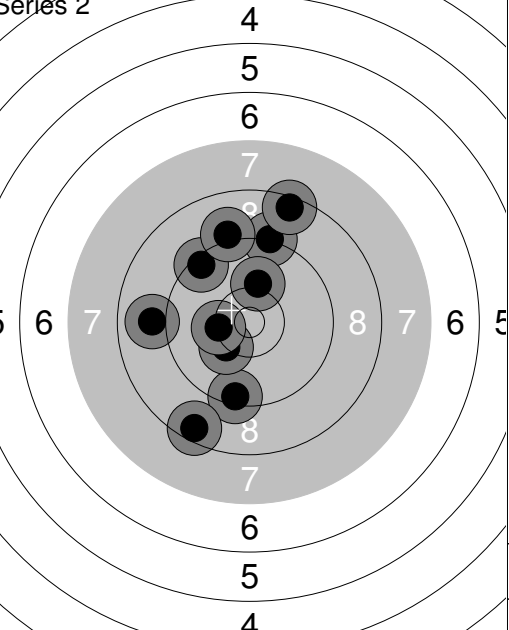
31:	10.0	↗
32:	10.1	↑
33:	10.2x	←
34:	9.6	←
35:	10.8x	↘
36:	9.9	↖
37:	9.2	↖
38:	10.4x	↖
39:	9.6	←
40:	10.1	↖
Series	99.9	
Total	402.7	

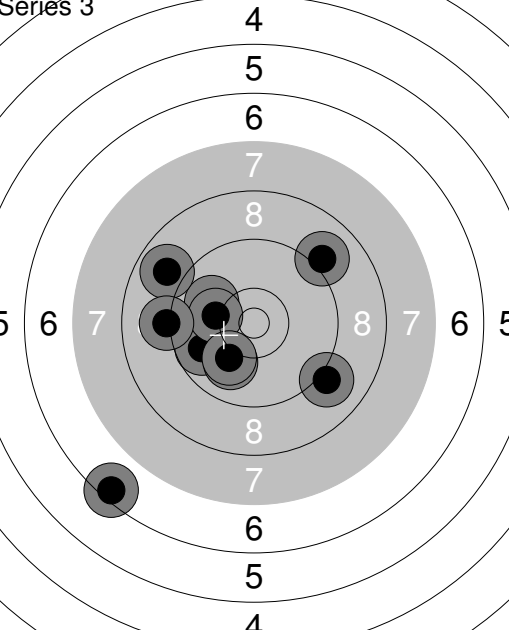
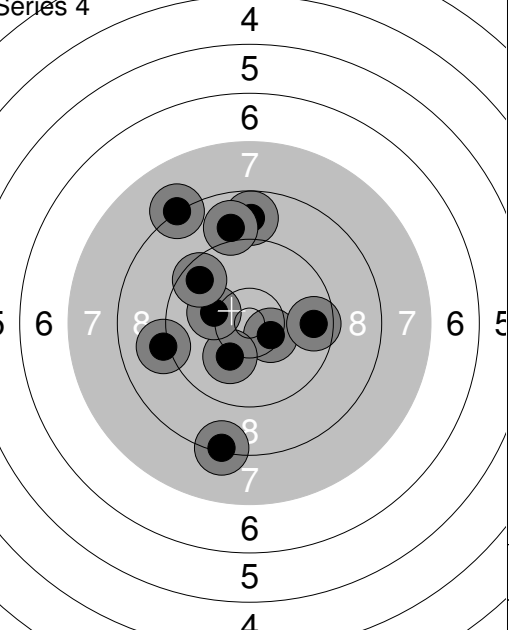


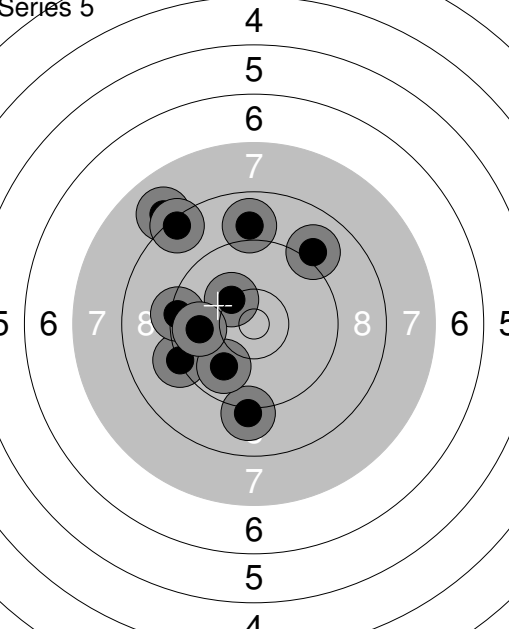
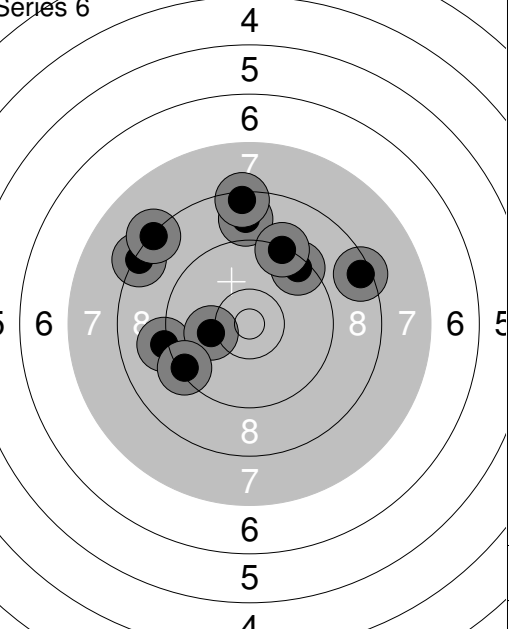
41:	10.5x	↑
42:	10.7x	←
43:	10.4x	↗
44:	10.6x	↘
45:	10.3x	←
46:	10.4x	↑
47:	10.1	↗
48:	10.2x	↗
49:	10.5x	↘
50:	10.6x	↓
Series	104.3	
Total	507.0	

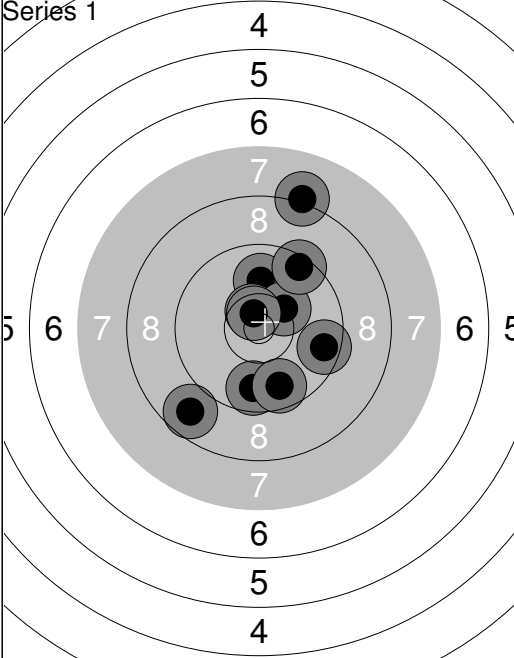
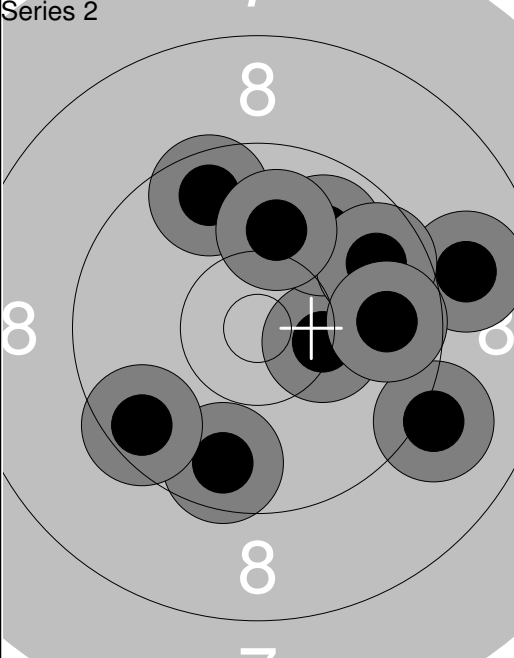
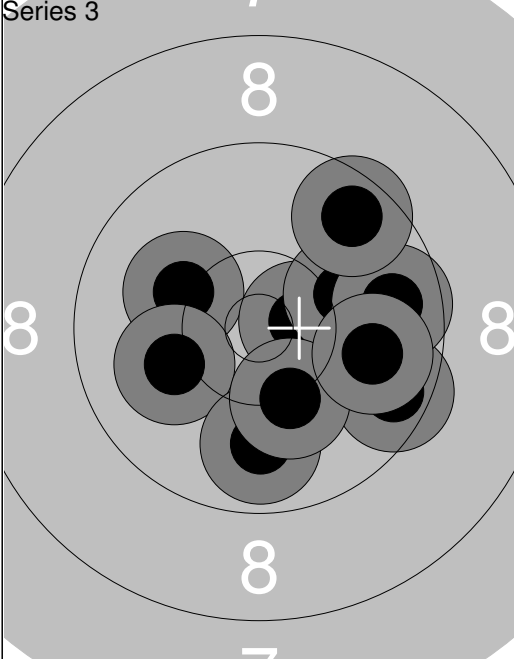
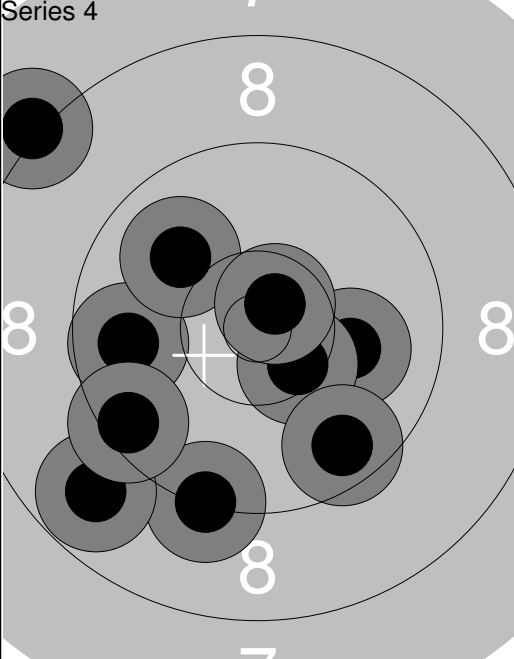
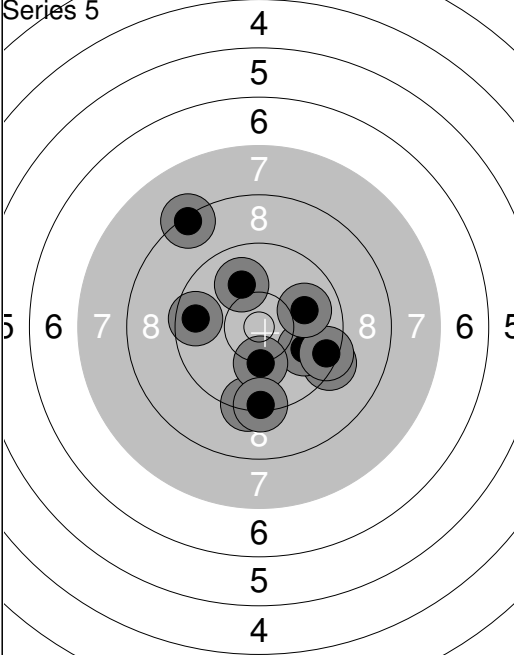
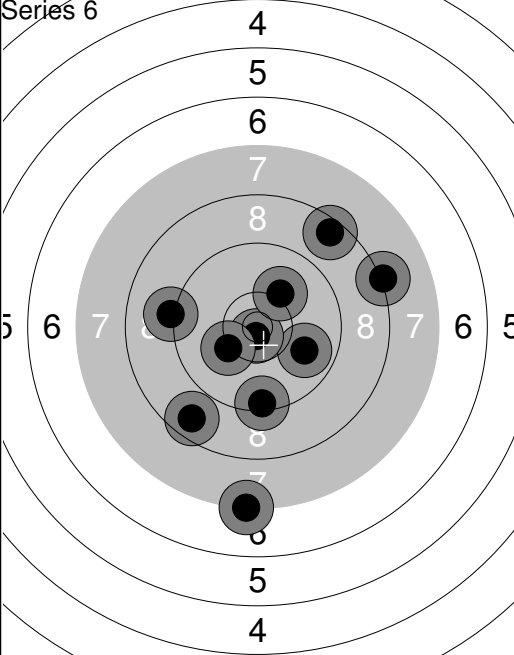


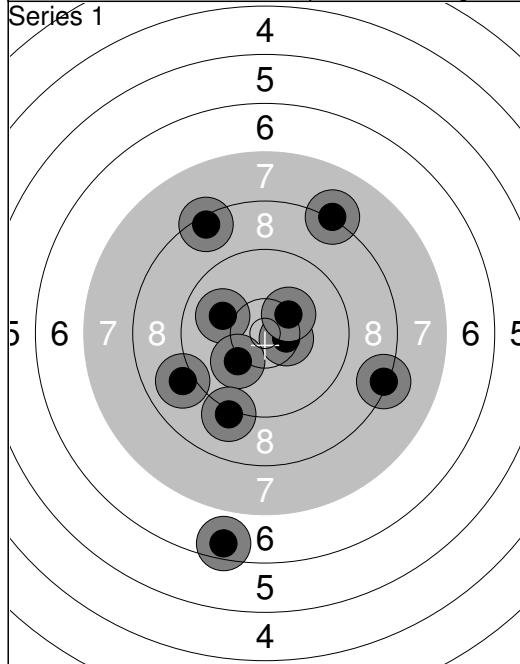
51:	10.5x	↖
52:	10.6x	↓
53:	10.2x	↓
54:	10.0	↗
55:	10.3x	↘
56:	9.9	←
57:	9.9	↗
58:	10.3x	↖
59:	9.6	↘
60:	10.4x	↓
Series	101.7	
Total	608.7	

<b>Series 1</b> 	1: 9.6 ↖ 2: 10.8x↙ 3: 9.9 ↘ 4: 9.4 ↙ 5: 9.6 ↗ 6: 8.5 ↘ 7: 8.1 ↙ 8: 8.9 ← 9: 10.6x↙ 10: 10.3 ← <hr/> Series 95.7 Total 95.7	<b>Series 2</b> 	11: 8.9 ← 12: 9.4 ↓ 13: 9.4 ↖ 14: 9.2 ↑ 15: 8.5 ↗ 16: 10.3 ↙ 17: 8.5 ↘ 18: 10.1 ↑ 19: 10.3 ← 20: 9.1 ↗ <hr/> Series 93.7 Total 189.4
---	---	---	---

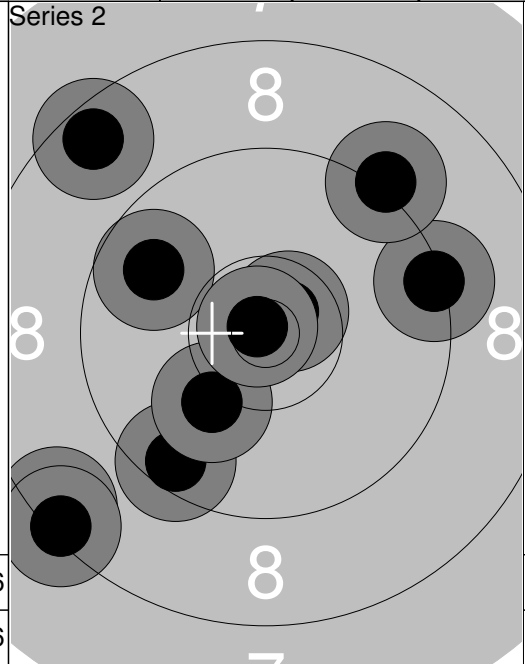
<b>Series 3</b> 	21: 10.0 ↖ 22: 6.4 ↘ 23: 9.8 ↙ 24: 10.0 ↘ 25: 8.9 ↖ 26: 10.1 ← 27: 9.2 ← 28: 10.1 ↘ 29: 9.0 ↗ 30: 9.1 ↘ <hr/> Series 92.6 Total 282.0	<b>Series 4</b> 	31: 8.3 ↓ 32: 10.4x↘ 33: 8.8 ↑ 34: 9.6 → 35: 9.0 ↑ 36: 9.1 ← 37: 8.2 ↖ 38: 10.2 ↘ 39: 10.2 ← 40: 9.6 ↖ <hr/> Series 93.4 Total 375.4
--	--	--	---

<b>Series 5</b> 	41: 8.0 ↖ 42: 9.1 ↓ 43: 9.3 ↙ 44: 9.9 ↘ 45: 9.0 ↗ 46: 10.3 ↗ 47: 8.4 ↗ 48: 9.4 ← 49: 8.9 ↑ 50: 9.8 ← <hr/> Series 92.1 Total 467.5	<b>Series 6</b> 	51: 8.8 ↑ 52: 8.4 ↑ 53: 8.5 → 54: 9.1 ← 55: 9.4 ↗ 56: 10.1 ← 57: 9.3 ↙ 58: 9.3 ↑ 59: 8.3 ↖ 60: 8.3 ↖ <hr/> Series 89.5 Total 557.0
---	---	---	---

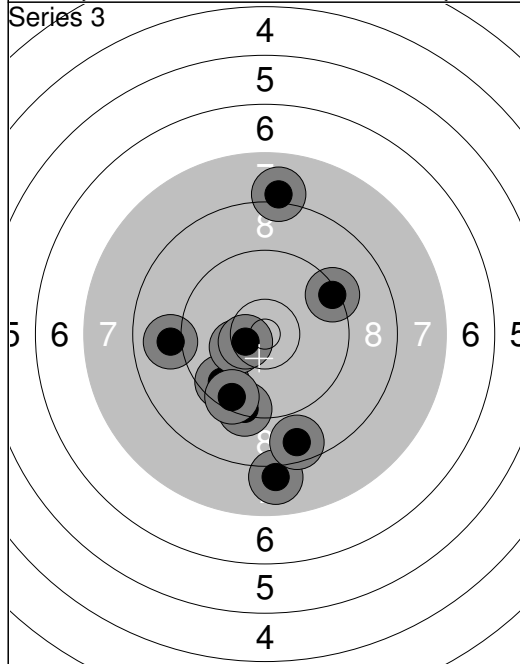
Relay	Lane	Niko Roos	
Air	RSA	AP Y18	
16.-17.11.2013	Tauno Kärjen muistokilpailu	Kankaanpään Ampumaurheilijat	
Series 1 	1: 9.6 →	Series 2 	11: 10.3 →
	2: 9.7 ↓		12: 8.9 →
	3: 10.0 ↑		13: 9.6 ↗
	4: 10.6x ↗		14: 9.9 ↗
	5: 9.7 ↓		15: 9.7 ↗
	6: 10.3 ↗		16: 10.0 ↑
	7: 10.6x ↗		17: 9.1 →
	8: 8.7 ↘		18: 9.7 ↓
	9: 9.4 ↗		19: 9.5 ↘
	10: 8.2 ↑		20: 9.8 →
	Series 96.8		Series 96.5
	Total 96.8		Total 193.3
Series 3 	21: 10.2 ↖	Series 4 	31: 9.7 ←
	22: 9.6 →		32: 9.3 ↓
	23: 10.6x →		33: 10.0 ↖
	24: 10.1 ←		34: 10.1 →
	25: 9.9 ↓		35: 8.2 ↗
	26: 10.1 →		36: 10.4x ↘
	27: 9.7 →		37: 8.8 ↘
	28: 10.2 ↓		38: 9.5 ↘
	29: 9.9 →		39: 10.7x ↗
	30: 9.6 ↗		40: 9.6 ↓
	Series 99.9		Series 96.3
	Total 293.2		Total 389.5
Series 5 	41: 9.4 ↓	Series 6 	51: 9.9 →
	42: 9.3 →		52: 7.2 ↓
	43: 9.9 →		53: 9.1 ←
	44: 10.2 ↓		54: 10.8x ↓
	45: 9.5 →		55: 8.6 ↘
	46: 10.0 →		56: 10.2 ↘
	47: 10.0 ↑		57: 8.5 ↗
	48: 8.3 ↗		58: 8.2 →
	49: 9.6 ←		59: 9.4 ↓
	50: 9.4 ↓		60: 10.1 ↗
	Series 95.6		Series 92.0
	Total 485.1		Total 577.1



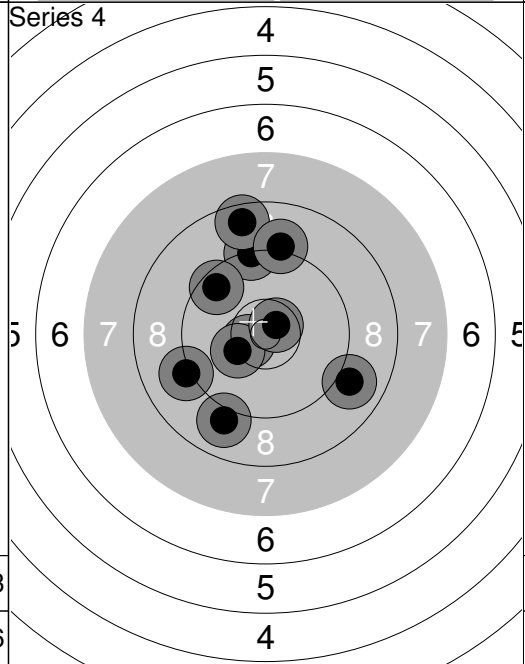
1:	6.6	↓
2:	8.4	↗
3:	9.0	↖
4:	8.2	↗
5:	10.0	↖
6:	10.5x	→
7:	8.3	→
8:	10.2	↖
9:	10.3	↗
10:	9.1	↓
<b>Series</b>	<b>90.6</b>	
<b>Total</b>	<b>90.6</b>	



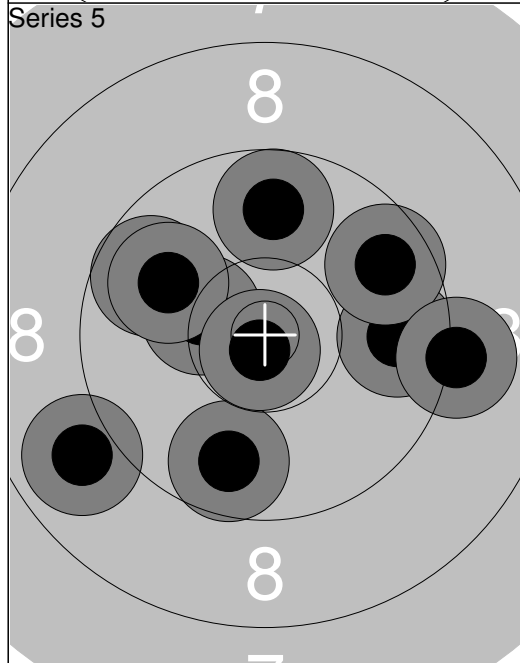
11:	9.5	↘
12:	9.8	↖
13:	10.7x	↗
14:	10.1	↖
15:	8.4	↖
16:	9.3	→
17:	8.3	↖
18:	8.5	↖
19:	10.9x	↖
20:	9.2	↗
<b>Series</b>	<b>94.7</b>	
<b>Total</b>	<b>185.3</b>	



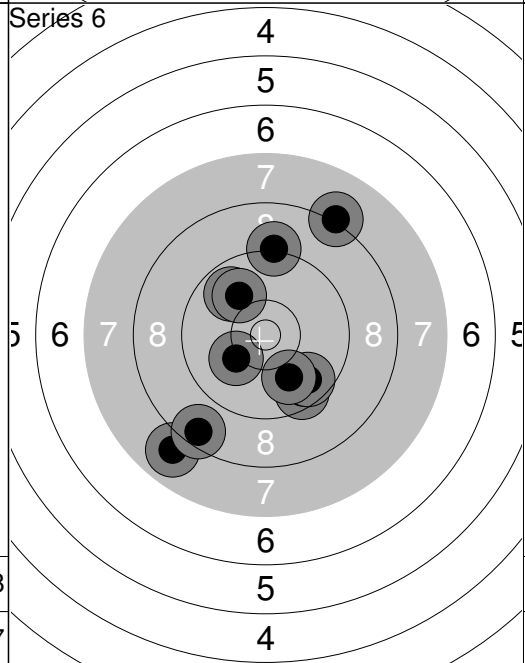
21:	9.4	↓
22:	9.6	↖
23:	9.3	↗
24:	8.0	↓
25:	8.6	↓
26:	10.3	↖
27:	9.5	↓
28:	8.1	↑
29:	10.5x	↖
30:	9.0	←
<b>Series</b>	<b>92.3</b>	
<b>Total</b>	<b>277.6</b>	



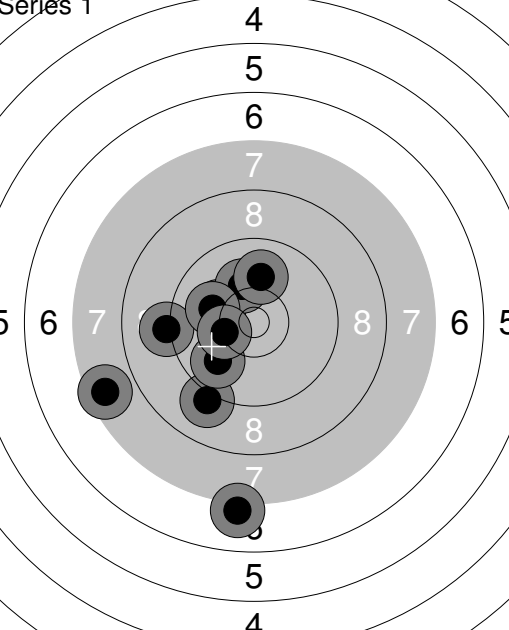
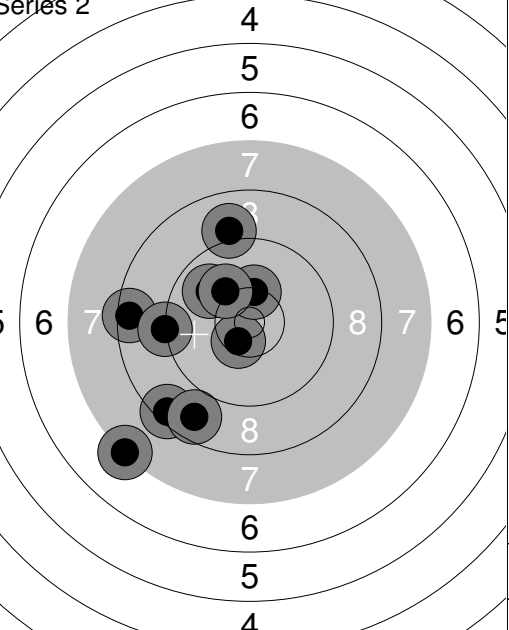
31:	10.6x	↖
32:	9.0	→
33:	9.3	↑
34:	10.3	↖
35:	9.0	↓
36:	9.6	↖
37:	8.6	↑
38:	10.7x	↗
39:	9.1	↑
40:	9.1	↖
<b>Series</b>	<b>95.3</b>	
<b>Total</b>	<b>372.9</b>	

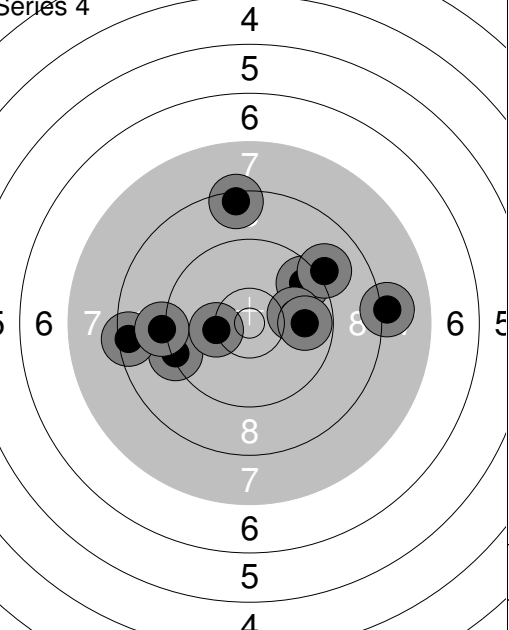


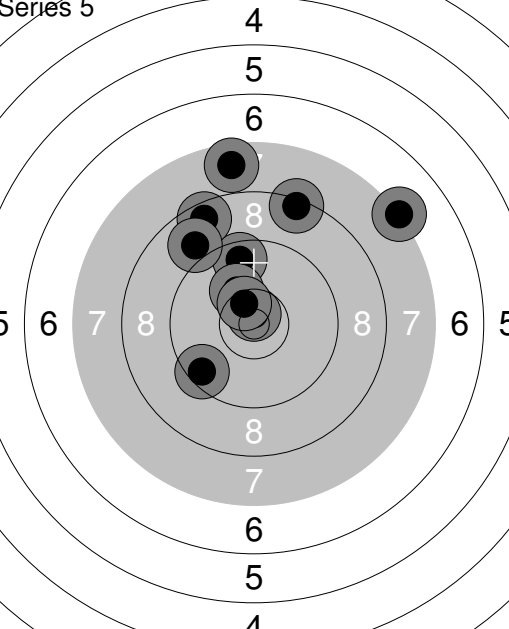
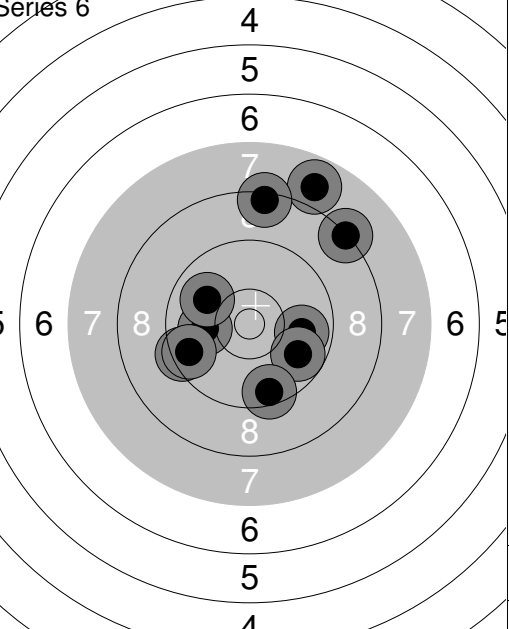
41:	9.7	→
42:	10.3	↖
43:	8.9	↖
44:	9.8	↖
45:	9.9	↖
46:	9.7	↓
47:	9.7	↗
48:	9.2	→
49:	10.8x	↓
50:	9.8	↑
<b>Series</b>	<b>97.8</b>	
<b>Total</b>	<b>470.7</b>	

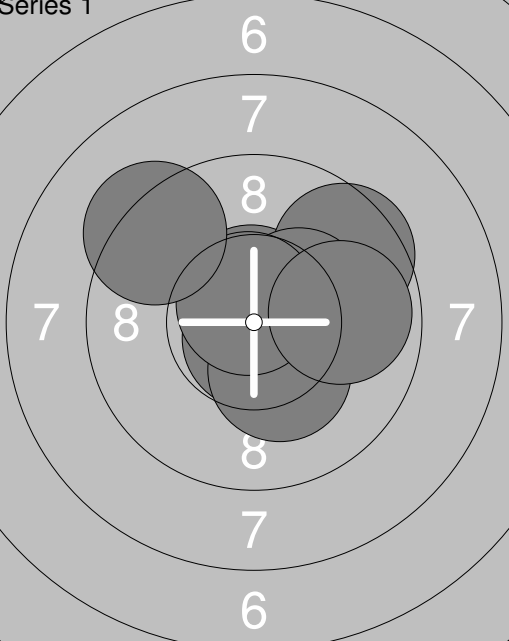
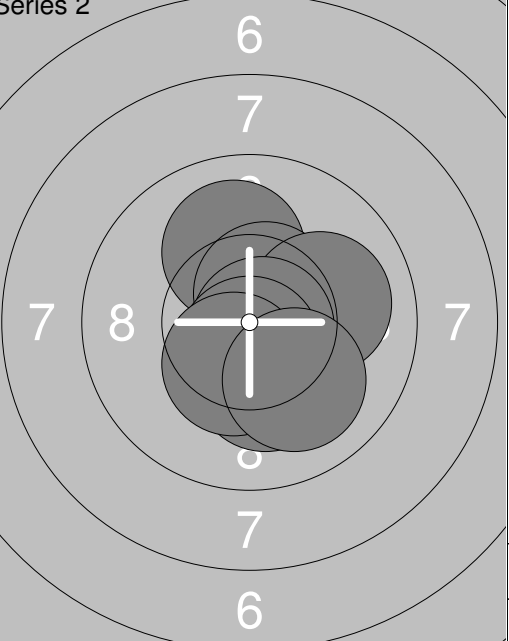


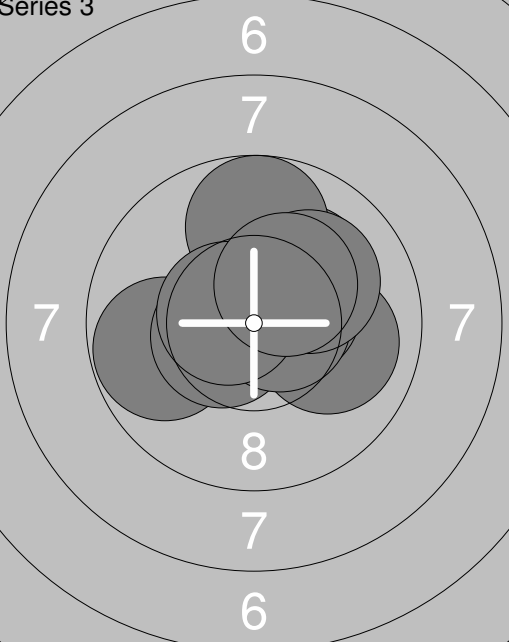
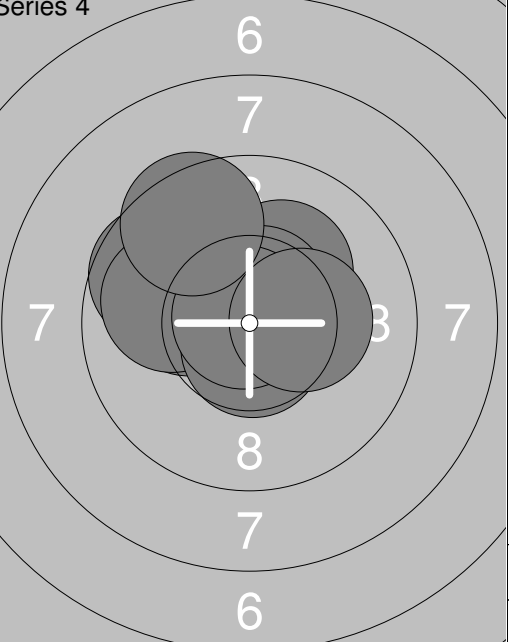
51:	8.2	↗
52:	7.9	↖
53:	9.6	↓
54:	8.5	↖
55:	9.7	↘
56:	9.9	↗
57:	10.0	↗
58:	10.0	↓
59:	10.2	↖
60:	9.2	↑
<b>Series</b>	<b>93.2</b>	
<b>Total</b>	<b>563.9</b>	

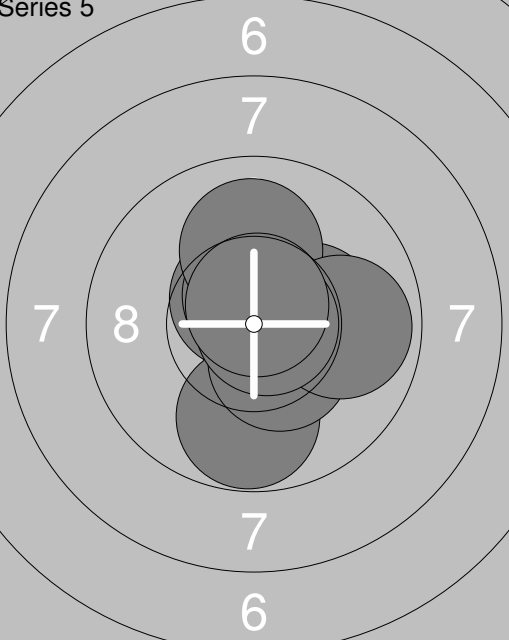
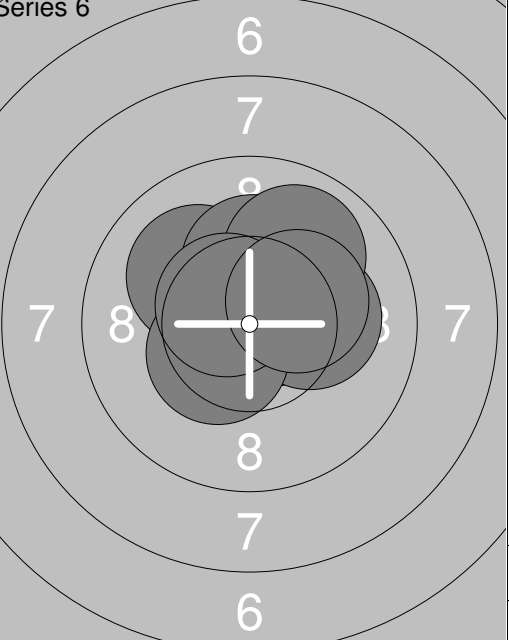
<b>Series 1</b> 	1: 10.2 ↖ 2: 9.1 ← 3: 7.6 ↙ 4: 9.1 ↘ 5: 9.9 ↘ 6: 10.2 ↗ 7: 10.1 ← 8: 10.3 ← 9: 7.1 ↓ 10: 10.0 ↑ <hr/> <b>Series</b> 93.6 <b>Total</b> 93.6	<b>Series 2</b> 	11: 9.9 ↖ 12: 10.5x ↘ 13: 8.5 ↘ 14: 8.5 ← 15: 10.3 ↑ 16: 8.7 ↘ 17: 7.2 ↘ 18: 9.0 ↑ 19: 10.1 ↖ 20: 9.2 ← <hr/> <b>Series</b> 91.9 <b>Total</b> 185.5
---	---	---	--

<b>Series 3</b> 	21: 10.0 → 22: 10.1 ↓ 23: 10.0 ↓ 24: 9.7 ↓ 25: 8.6 ← 26: 8.5 ↗ 27: 7.5 ↘ 28: 9.7 ↙ 29: 7.9 ↗ 30: 9.4 ↙ <hr/> <b>Series</b> 91.4 <b>Total</b> 276.9	<b>Series 4</b> 	31: 9.3 ↙ 32: 8.5 ← 33: 9.6 ↗ 34: 9.1 ↗ 35: 8.1 → 36: 8.4 ↑ 37: 10.0 → 38: 9.1 ← 39: 10.2 ← 40: 9.8 → <hr/> <b>Series</b> 92.1 <b>Total</b> 369.0
--	---	--	--

<b>Series 5</b> 	41: 8.4 ↑ 42: 10.7x ↑ 43: 7.2 ↗ 44: 9.6 ↑ 45: 8.6 ↗ 46: 7.7 ↑ 47: 8.9 ↗ 48: 9.5 ↙ 49: 10.2 ↗ 50: 10.5x ↗ <hr/> <b>Series</b> 91.3 <b>Total</b> 460.3	<b>Series 6</b> 	51: 7.8 ↗ 52: 10.0 ← 53: 9.9 → 54: 9.4 ↙ 55: 10.0 ↖ 56: 9.8 ↘ 57: 9.5 ↓ 58: 9.6 ↙ 59: 8.3 ↗ 60: 8.4 ↑ <hr/> <b>Series</b> 92.7 <b>Total</b> 553.0
---	---	---	--

<b>Series 1</b> 	1: 10.6x ↑ 2: 9.6 ↗ 3: 10.3x ↗ 4: 10.4x → 5: 10.7x ↘ 6: 10.7x ↓ 7: 10.3x ↓ 8: 10.7x ↑ 9: 9.8 → 10: 9.3 ↖ <hr/> <b>Series</b> 102.4 <b>Total</b> 102.4	<b>Series 2</b> 	11: 10.6x → 12: 10.1 ↑ 13: 10.5x ↑ 14: 10.3x ↓ 15: 10.2x ↓ 16: 10.0 → 17: 10.8x → 18: 10.6x ↓ 19: 10.4x ↓ 20: 10.1 ↓ <hr/> <b>Series</b> 103.6 <b>Total</b> 206.0
---	--	---	--

<b>Series 3</b> 	21: 10.1 ↗ 22: 10.0 → 23: 9.7 ↑ 24: 10.4x ↗ 25: 9.8 ← 26: 10.5x ↙ 27: 10.6x → 28: 10.6x ↙ 29: 10.1 ↗ 30: 10.3x ↗ <hr/> <b>Series</b> 102.1 <b>Total</b> 308.1	<b>Series 4</b> 	31: 10.2x ↙ 32: 9.7 ↙ 33: 10.5x ↑ 34: 10.0 ↙ 35: 10.2x ↑ 36: 10.6x ↑ 37: 10.7x ↓ 38: 10.8x ↙ 39: 10.3x → 40: 9.5 ↖ <hr/> <b>Series</b> 102.5 <b>Total</b> 410.6
--	--	--	--

<b>Series 5</b> 	41: 10.6x ↖ 42: 10.6x ↑ 43: 10.3x → 44: 10.6x ↑ 45: 9.8 ↓ 46: 10.4x ↘ 47: 10.0 ↑ 48: 9.9 → 49: 10.8x → 50: 10.7x ↑ <hr/> <b>Series</b> 103.7 <b>Total</b> 514.3	<b>Series 6</b> 	51: 10.1 ↖ 52: 10.2x ↗ 53: 10.7x ↗ 54: 10.2x → 55: 10.4x ↑ 56: 10.2x ↑ 57: 10.4x ↙ 58: 10.0 ↑ 59: 10.6x ↙ 60: 10.3x → <hr/> <b>Series</b> 103.1 <b>Total</b> 617.4
---	--	---	---