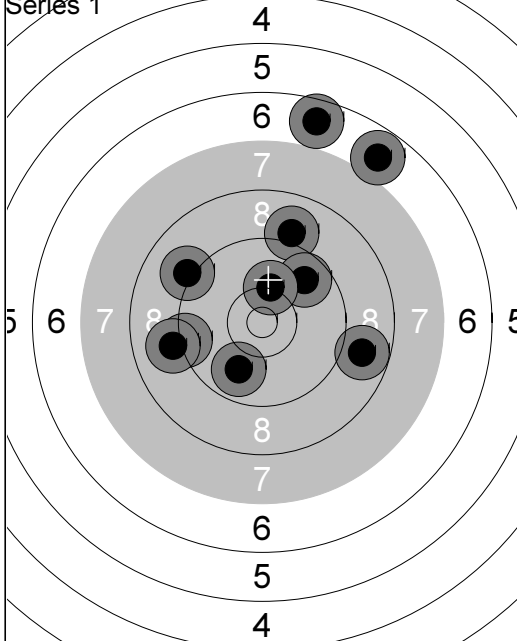
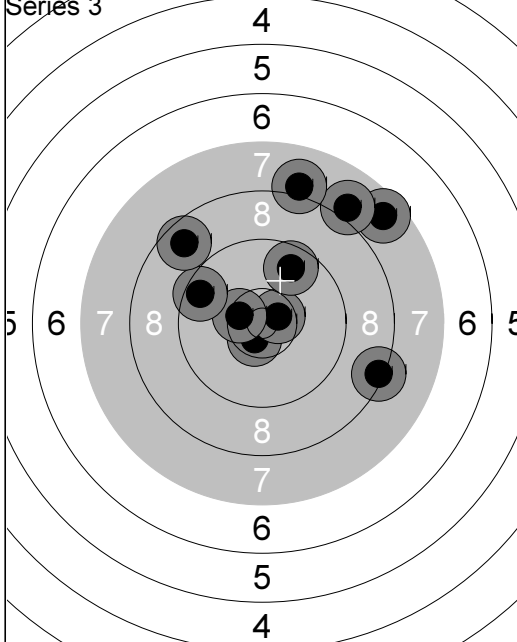
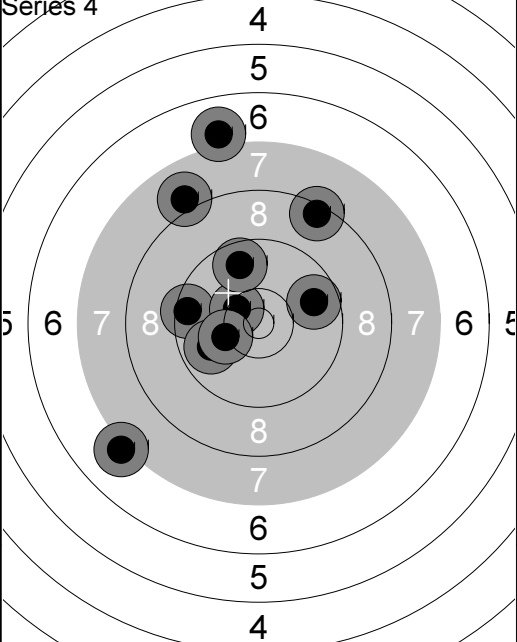
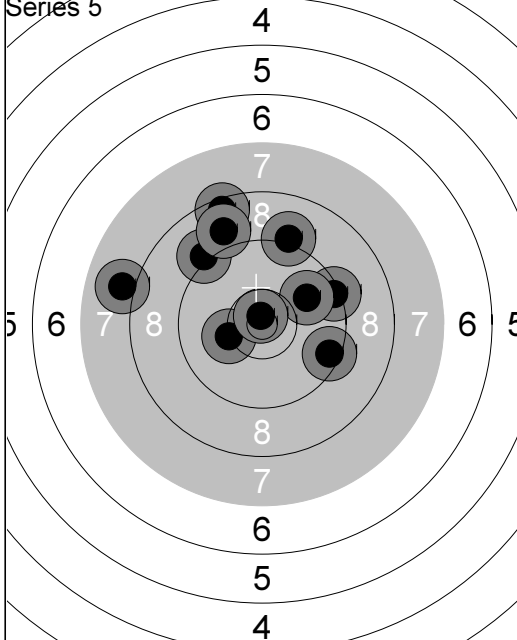
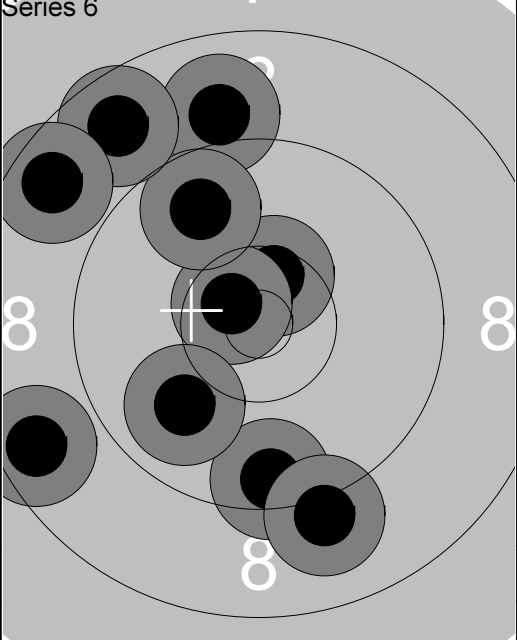


<p>Series 1</p> 	<p>1: 6.8 ↗ 2: 9.3 ← 3: 8.8 → 4: 6.7 ↑ 5: 9.1 ↖ 6: 9.9 ↓ 7: 9.0 ↑ 8: 9.1 ← 9: 9.7 ↗ 10: 10.2 ↑</p> <p>Series 84.0 Total 84.0</p>	<p>Series 2</p> 	<p>11: 9.7 ↗ 12: 9.1 ↑ 13: 10.1 ↓ 14: 9.0 ↖ 15: 8.5 → 16: 7.9 ↑ 17: 9.7 ↖ 18: 8.0 ↓ 19: 8.0 ↑ 20: 9.5 ↖</p> <p>Series 86.0 Total 170.0</p>
--	--	--	--

<p>Series 3</p> 	<p>21: *10.6 ↓ 22: *10.6 → 23: *10.5 ↖ 24: 8.3 → 25: 9.5 ↖ 26: 7.6 ↗ 27: 8.0 ↗ 28: 9.7 ↑ 29: 8.7 ↖ 30: 8.1 ↑</p> <p>Series 87.0 Total 257.0</p>	<p>Series 4</p> 	<p>31: 7.1 ↖ 32: 9.5 ← 33: 9.7 → 34: *10.4 ↖ 35: 9.9 ↖ 36: 7.0 ↑ 37: 10.2 ↖ 38: 8.0 ↖ 39: 9.7 ↑ 40: 8.4 ↑</p> <p>Series 86.0 Total 343.0</p>
---	---	---	--

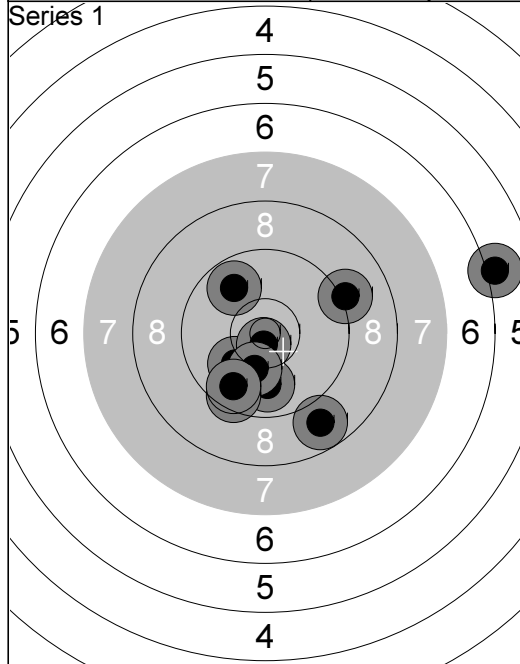
<p>Series 5</p> 	<p>41: 9.3 → 42: 9.9 ↗ 43: 10.2 ↖ 44: *10.8 ↑ 45: 8.5 ↑ 46: 8.0 ← 47: 9.4 → 48: 9.1 ↑ 49: 9.1 ↖ 50: 8.9 ↑</p> <p>Series 89.0 Total 432.0</p>	<p>Series 6</p> 	<p>51: 8.6 ↖ 52: *10.5 ↑ 53: *10.6 ↖ 54: 9.0 ↑ 55: 9.5 ↓ 56: 9.1 ↓ 57: 9.8 ↑ 58: 8.7 ↖ 59: 9.9 ↖ 60: 8.6 ↖</p> <p>Series 89.0 Total 521.0</p>
--	--	--	---

Relay	Lane	Kari Vanhanen	
1	2	NoSA	
Air		Y	P
09.-10.03.2013	Kevätkilpailu	Kankaanpään Ampumaurheilijat	
Series 1 	1: 8.1 →	Series 2 	11: 9.4 ↑
	2: 10.2 ↖		12: 8.6 ↗
	3: 10.1 →		13: 10.0 ↗
4: 10.0 ↑	14: 9.8 ↑	4: 10.0 ↑	15: 8.8 →
5: 10.2 ↓	16: *10.6 ↓	5: 10.2 ↓	16: *10.6 ↓
6: 9.5 →	17: *10.6 ←	6: 9.5 →	17: *10.6 ←
7: *10.5 →	18: 9.2 ↑	7: *10.5 →	18: 9.2 ↑
8: 9.3 ↗	19: 9.2 ↓	8: 9.3 ↗	19: 9.2 ↓
9: 9.0 →	20: *10.5 ↑	9: 9.0 →	20: *10.5 ↑
10: 9.0 ↓		10: 9.0 ↓	
Series 94.0		Series 92.0	
Total 94.0		Total 186.0	
Series 3 	21: *10.6 ←	Series 4 	31: *10.7 ↑
	22: 10.0 ↓		32: 8.8 →
	23: 8.0 →		33: 9.1 ↓
24: 8.7 →	34: *10.5 ↖	4: 10.0 ↑	35: *10.4 ↖
25: 10.0 ↖	36: 8.9 ↗	5: 10.2 ↓	36: 8.9 ↗
26: 9.7 →	37: 10.2 →	6: 9.5 →	37: 10.2 →
27: 10.1 →	38: *10.6 ↓	7: *10.5 →	38: *10.6 ↓
28: 9.7 ↗	39: 10.3 →	8: 9.7 ↗	39: 10.3 →
29: 9.3 →	40: 10.0 ↓	9: 9.3 →	40: 10.0 ↓
30: 9.6 ↓		10: 9.6 ↓	
Series 92.0		Series 95.0	
Total 278.0		Total 373.0	
Series 5 	41: 9.3 →	Series 6 	51: 6.2 ↓
	42: 9.7 ↓		52: 9.7 ↓
	43: 9.4 →		53: 8.9 →
44: 9.4 ↓	54: 10.3 ↖	4: 10.0 ↑	54: 10.3 ↖
45: 9.9 ↗	55: 9.8 →	5: 10.2 ↓	55: 9.8 →
46: 9.7 ↓	56: *10.8 ←	6: 9.5 →	56: *10.8 ←
47: 9.6 ↑	57: 9.6 ↓	7: 9.6 ↑	57: 9.6 ↓
48: 9.5 ↓	58: 8.7 ↓	8: 9.5 ↓	58: 8.7 ↓
49: 10.2 →	59: 9.3 →	9: 10.2 →	59: 9.3 →
50: 10.1 ←	60: 9.5 ↖	10: 10.1 ←	60: 9.5 ↖
Series 92.0		Series 87.0	
Total 465.0		Total 552.0	

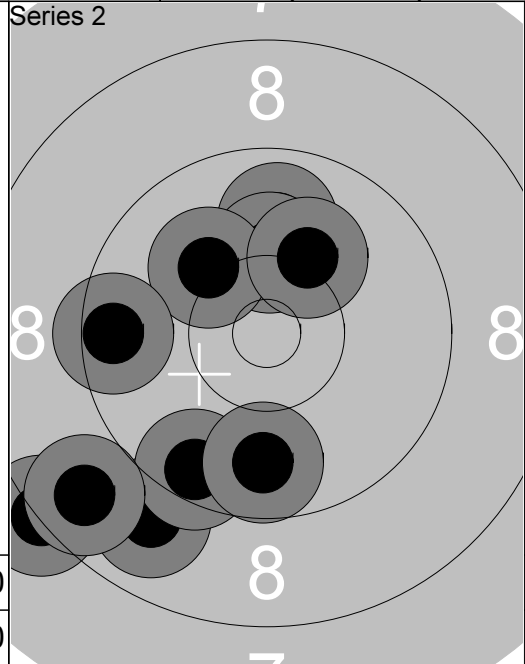
Relay <b>1</b>	Lane <b>3</b>	<b>Hannes Frigård</b>		
-------------------	------------------	-----------------------	--	--

Air	SA	Y	P
-----	----	---	---

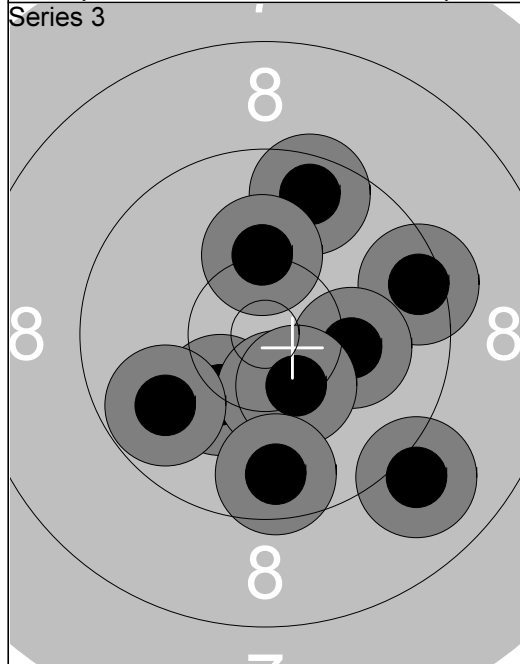
09.-10.03.2013	Kevätkilpailu	Kankaanpään Ampumaurheilijat	
----------------	---------------	------------------------------	--



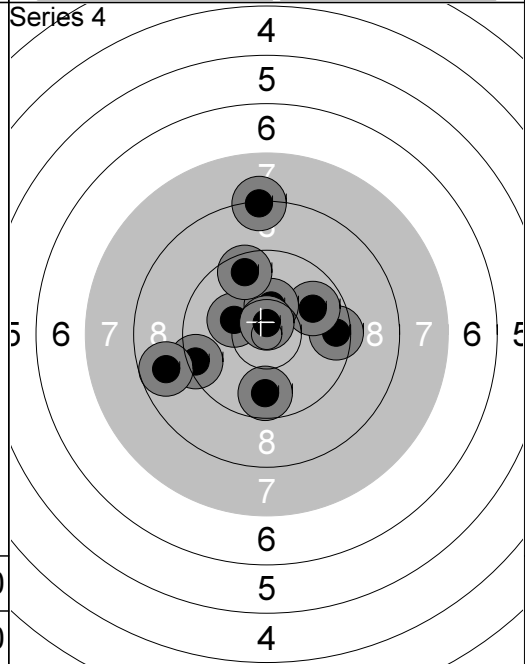
1: 10.1 ↙
2: 9.9 ↓
3: *10.7 ↓
4: 10.2 ↓
5: 8.8 ↓
6: 9.5 ↓
7: 9.1 →
8: 6.1 →
9: 9.8 ↗
10: 9.7 ↓
Series 89.0
Total 89.0



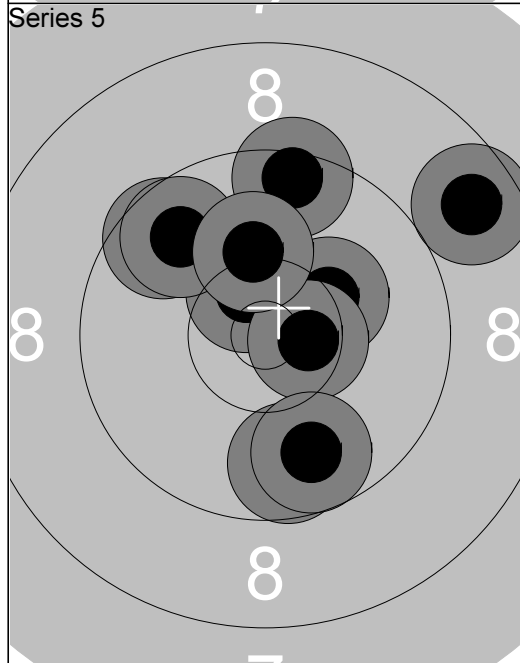
11: 9.9 ↗
12: 8.9 ↙
13: 10.2 ↗
14: 10.1 ↖
15: 9.5 ↙
16: 10.2 ↗
17: 8.3 ↙
18: 8.7 ↙
19: 9.5 ←
20: 9.7 ↓
Series 90.0
Total 179.0



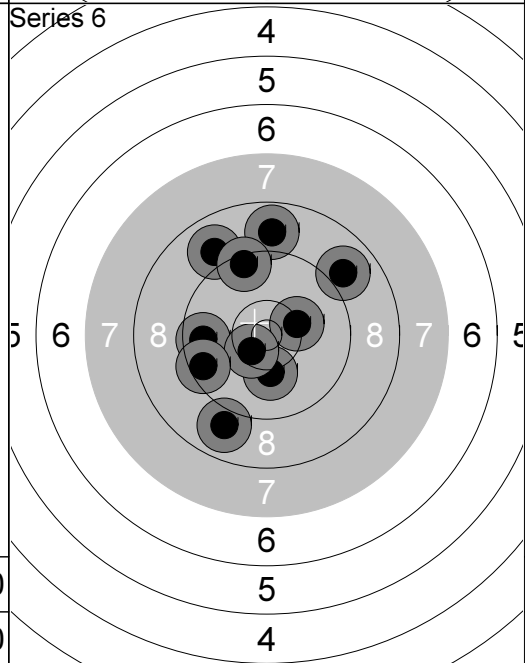
21: 9.6 ↗
22: 9.0 ↘
23: 10.3 ↙
24: 9.4 →
25: 10.1 →
26: *10.4 ↓
27: 9.8 ↙
28: *10.4 ↓
29: 9.6 ↓
30: 10.2 ↗
Series 95.0
Total 274.0



31: 9.5 →
32: 10.2 ↖
33: 9.9 ↗
34: 9.4 ←
35: 9.7 ↓
36: 8.3 ↗
37: 10.3 ↗
38: 9.6 ↗
39: *10.7 ↗
40: 8.8 ←
Series 91.0
Total 365.0

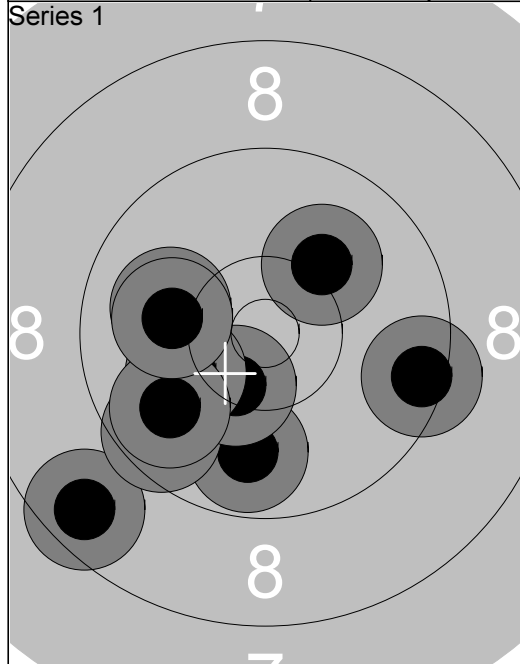


41: 9.6 ↖
42: *10.5 ↗
43: 9.7 ↓
44: 9.5 ↗
45: 10.3 ↗
46: 9.7 ↗
47: *10.5 →
48: 9.8 ↓
49: 8.7 ↗
50: 10.2 ↗
Series 93.0
Total 458.0

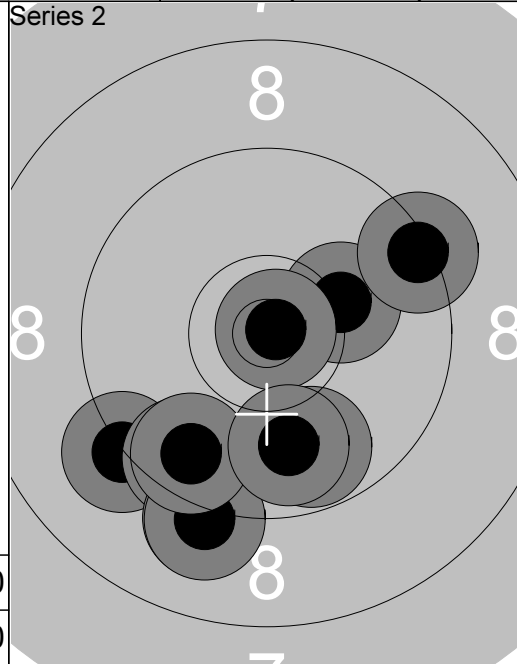


51: 8.9 ↖
52: 8.8 ↗
53: 8.9 ↗
54: 9.6 ←
55: 10.2 ↓
56: 9.4 ↗
57: 10.3 →
58: *10.5 ↙
59: 8.9 ↓
60: 9.5 ←
Series 89.0
Total 547.0

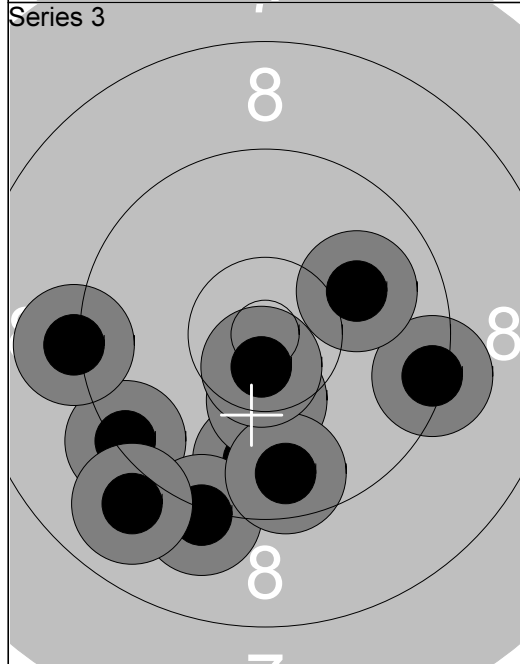
Relay	Lane	Antti Tervo		Y	P
1	5				
Air		SA			
09.-10.03.2013		Kevätkilpailu		Kankaanpään Ampumaurheilijat	
Series 1		Series 2		Series 3	
1: 10.0 ↗ 2: 10.2 ↖ 3: 9.6 ↗ 4: 9.4 ↓ 5: 10.3 ↓ 6: 9.8 ↓ 7: 10.3 ↓ 8: *10.6 → 9: 9.1 → 10: 9.8 ↓ Series 95.0 Total 95.0		11: 9.4 ↖ 12: 9.7 ↖ 13: 10.0 ↖ 14: *10.4 ↗ 15: 9.8 ↑ 16: *10.4 → 17: *10.6 ↖ 18: 10.2 → 19: *10.6 ↗ 20: 10.3 ↓ Series 97.0 Total 192.0		21: 10.3 ↖ 22: *10.5 → 23: 9.3 ← 24: *10.9 ↖ 25: 10.0 ↖ 26: 8.7 → 27: 10.1 ↓ 28: 10.1 ↗ 29: 10.3 ↖ 30: 9.3 → Series 96.0 Total 288.0	
Series 4		Series 5		Series 6	
31: 10.3 → 32: 9.5 ↖ 33: 9.8 ↑ 34: 9.2 → 35: 8.0 → 36: 8.5 ← 37: 9.2 ↖ 38: *10.6 → 39: 9.7 → 40: 9.4 ↓ Series 90.0 Total 378.0		41: 8.7 → 42: 9.4 ↓ 43: 10.2 ↓ 44: 10.1 ↗ 45: 9.5 ↓ 46: 9.9 → 47: 9.5 → 48: *10.7 ↖ 49: 9.5 ↖ 50: *10.6 ← Series 93.0 Total 471.0		51: 9.7 ↖ 52: 9.6 → 53: *10.5 ↖ 54: *10.7 ↗ 55: *10.4 ↖ 56: 10.2 ↗ 57: 9.8 ↓ 58: 9.7 ↓ 59: 9.0 ↗ 60: *10.8 → Series 95.0 Total 566.0	



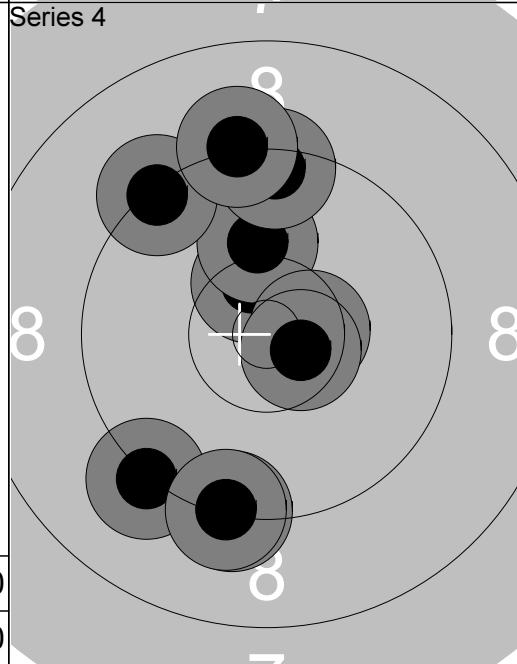
1:	9.8	↓
2:	9.4	→
3:	10.0	←
4:	8.6	↙
5:	9.6	↙
6:	*10.4	↘
7:	10.1	←
8:	10.1	↗
9:	9.8	↙
10:	10.1	←
Series	94.0	
Total	94.0	



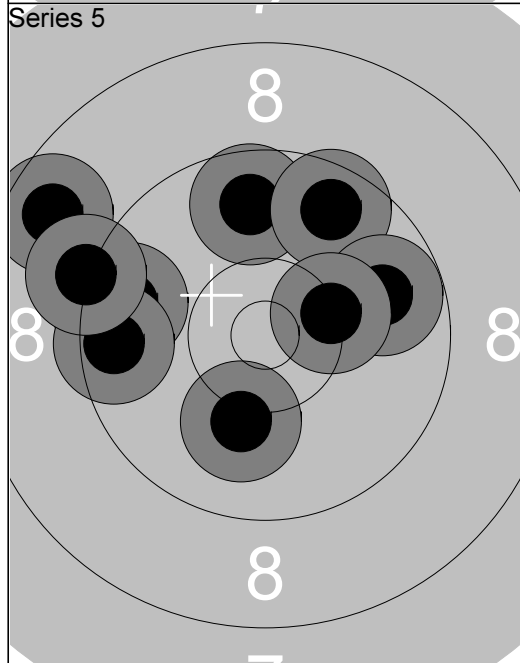
11:	9.2	↙
12:	10.2	→
13:	9.6	↙
14:	9.8	↓
15:	9.1	↙
16:	9.4	→
17:	9.1	↓
18:	9.6	↙
19:	*10.9	→
20:	9.9	↓
Series	92.0	
Total	186.0	



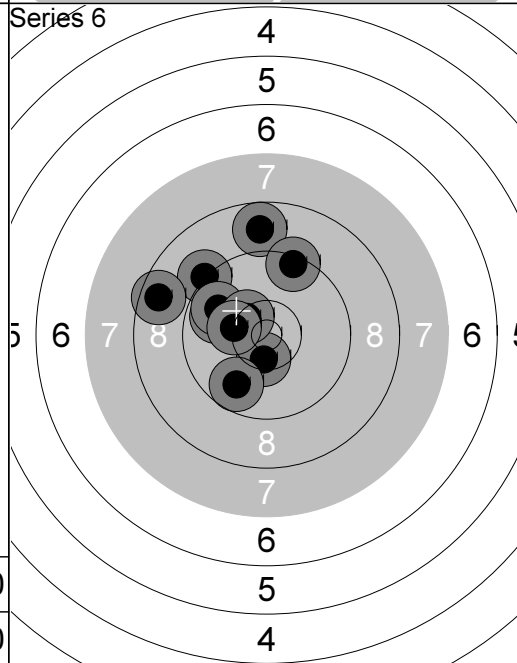
21:	9.8	↓
22:	9.4	→
23:	9.3	↙
24:	10.0	→
25:	9.2	↓
26:	10.3	↓
27:	8.9	↙
28:	9.2	←
29:	9.6	↓
30:	*10.6	↓
Series	92.0	
Total	278.0	



31:	*10.5	↗
32:	10.1	↑
33:	9.2	↙
34:	9.3	↓
35:	9.4	↑
36:	9.3	↖
37:	*10.5	→
38:	*10.6	→
39:	9.2	↑
40:	9.3	↓
Series	94.0	
Total	372.0	



41:	9.7	↑
42:	10.1	↓
43:	9.5	←
44:	9.6	↗
45:	9.6	←
46:	8.7	↖
47:	9.5	←
48:	9.8	→
49:	9.2	←
50:	10.3	→
Series	91.0	
Total	463.0	



51:	*10.4	↓
52:	9.9	←
53:	9.2	↖
54:	8.8	↑
55:	8.6	↖
56:	9.8	↖
57:	9.4	↑
58:	9.8	↙
59:	*10.4	↖
60:	10.3	←
Series	91.0	
Total	554.0	

Relay	Lane	Jarmo Salo			
Air	7	LSA	Y P		
09.-10.03.2013	Kevätkilpailu	Kankaanpään Ampumaurheilijat			
Series 1		1: 9.4 ↗	Series 2		11: 10.1 ↖
		2: 9.5 ↑			12: 10.2 ↑
		3: 9.9 ←			13: 9.5 ↑
		4: 9.5 ↑			14: 9.2 ↗
		5: *10.5 ↖			15: 10.0 ↖
		6: 9.3 ↑			16: 9.6 ↖
		7: 10.0 →			17: *10.4 ↘
		8: 10.4 ↗			18: 9.2 ←
		9: 9.8 ↓			19: 8.9 →
		10: 9.2 ↓			20: 9.8 ←
		Series 93.0			Series 93.0
		Total 93.0			Total 186.0
Series 3		21: 9.7 ↖	Series 4		31: 9.6 ↓
		22: 9.4 ↘			32: 8.9 ↑
		23: 9.9 ↗			33: 9.6 ↓
		24: 8.8 ↑			34: *10.7 ↗
		25: *10.5 ↗			35: 9.8 ↑
		26: *10.5 ↗			36: *10.7 ↘
		27: *10.8 →			37: 9.7 ↖
		28: 9.9 ↑			38: 9.3 →
		29: 10.1 ↑			39: 9.5 ↓
		30: 9.1 ↓			40: 10.0 ↖
		Series 93.0			Series 92.0
		Total 279.0			Total 371.0
Series 5		41: 10.2 ↓	Series 6		51: 10.1 ↖
		42: 10.2 ↘			52: 10.2 ↑
		43: 9.7 ←			53: 8.8 ↑
		44: 9.6 ←			54: 9.8 ↘
		45: *10.7 ↗			55: *10.4 ↗
		46: 10.0 ↖			56: 9.7 ↖
		47: 8.9 ↗			57: 8.4 ↘
		48: 8.7 ←			58: 10.4 →
		49: 7.7 ↑			59: 10.3 ↑
		50: 10.0 ↘			60: 9.0 ↓
		Series 91.0			Series 93.0
		Total 462.0			Total 555.0

<p>Series 1</p>	<p>1: 9.4 ↑</p> <p>2: 8.4 →</p> <p>3: *10.4 ↗</p> <p>4: 10.0 ↖</p> <p>5: *10.8 →</p> <p>6: 10.1 ↗</p> <p>7: 8.6 →</p> <p>8: 8.7 ↑</p> <p>9: 9.5 ←</p> <p>10: 8.0 →</p> <p>Series 90.0</p> <p>Total 90.0</p>	<p>Series 2</p>	<p>11: 9.3 ↗</p> <p>12: 10.2 ↖</p> <p>13: 10.3 ↘</p> <p>14: 7.8 →</p> <p>15: 9.0 ↑</p> <p>16: 10.0 ↑</p> <p>17: 10.3 ↘</p> <p>18: 10.2 ↘</p> <p>19: 9.1 ↘</p> <p>20: 9.9 ←</p> <p>Series 93.0</p> <p>Total 183.0</p>
-----------------	---	-----------------	--

<p>Series 3</p>	<p>21: 8.0 →</p> <p>22: *10.5 →</p> <p>23: 9.9 ↘</p> <p>24: 9.9 ↘</p> <p>25: *10.9 ↖</p> <p>26: *10.8 ↗</p> <p>27: 9.0 ↘</p> <p>28: 9.6 →</p> <p>29: 9.9 ↖</p> <p>30: 9.3 ↘</p> <p>Series 92.0</p> <p>Total 275.0</p>	<p>Series 4</p>	<p>31: 9.4 →</p> <p>32: *10.7 ↖</p> <p>33: 8.1 ↖</p> <p>34: 9.5 ↘</p> <p>35: 9.1 →</p> <p>36: 8.4 →</p> <p>37: 9.7 ↖</p> <p>38: 10.2 ↑</p> <p>39: 9.3 ↑</p> <p>40: 9.9 ↖</p> <p>Series 90.0</p> <p>Total 365.0</p>
-----------------	---	-----------------	--

<p>Series 5</p>	<p>41: 9.6 ←</p> <p>42: 8.3 →</p> <p>43: 9.4 →</p> <p>44: 9.0 ←</p> <p>45: 9.0 ↗</p> <p>46: 9.8 ↘</p> <p>47: 8.9 ↖</p> <p>48: *10.5 →</p> <p>49: 7.7 ↘</p> <p>50: 7.9 ↘</p> <p>Series 85.0</p> <p>Total 450.0</p>	<p>Series 6</p>	<p>51: 9.2 ↘</p> <p>52: 9.5 →</p> <p>53: 10.2 ↘</p> <p>54: 8.0 ↘</p> <p>55: 9.2 ↘</p> <p>56: 9.8 ↖</p> <p>57: 9.7 ↗</p> <p>58: 9.5 ↖</p> <p>59: 9.8 ←</p> <p>60: 9.0 ↖</p> <p>Series 90.0</p> <p>Total 540.0</p>
-----------------	---	-----------------	--

<p>Series 1</p>	<p>1: 9.7 ↖ 2: 10.1 ← 3: 8.0 ↑ 4: 9.3 ↙ 5: 9.2 → 6: 10.1 ↗ 7: 9.3 ↓ 8: 10.3 ← 9: 6.9 ↑ 10: 9.2 ↘</p> <p>Series 89.0 Total 89.0</p>	<p>Series 2</p>	<p>11: 8.9 → 12: 9.5 ← 13: 8.4 ↓ 14: 9.2 ↑ 15: 9.9 ↓ 16: 9.0 ↗ 17: 9.2 → 18: 7.9 ↙ 19: 8.5 ↓ 20: 9.2 ↑</p> <p>Series 85.0 Total 174.0</p>
-----------------	--	-----------------	---

<p>Series 3</p>	<p>21: 8.8 → 22: 9.3 ↑ 23: *10.6 ↘ 24: 10.1 ↓ 25: 9.9 ↑ 26: *10.6 ← 27: 8.5 ← 28: 8.8 → 29: *10.6 ↘ 30: 9.3 ←</p> <p>Series 91.0 Total 265.0</p>	<p>Series 4</p>	<p>31: 8.6 ↓ 32: 9.1 ↖ 33: 9.0 ← 34: 9.9 → 35: 9.1 ← 36: 9.8 ↑ 37: 9.9 ↗ 38: 9.3 → 39: 9.9 ↓ 40: 8.5 ↖</p> <p>Series 88.0 Total 353.0</p>
-----------------	--	-----------------	---

<p>Series 5</p>	<p>41: 9.0 ↑ 42: 6.9 ↙ 43: 8.9 ↓ 44: *10.6 ↘ 45: 9.0 → 46: 9.3 ← 47: 10.2 ← 48: 9.5 ↙ 49: 8.9 → 50: 9.5 ↓</p> <p>Series 87.0 Total 440.0</p>	<p>Series 6</p>	<p>51: 8.8 ↖ 52: 9.2 ↑ 53: 9.7 ← 54: 9.5 ← 55: 8.2 ↙ 56: *10.8 ← 57: 8.8 ↓ 58: 10.0 ← 59: 9.9 ← 60: 9.7 ↘</p> <p>Series 89.0 Total 529.0</p>
-----------------	--	-----------------	--



<p>Series 1</p>	<p>1: 8.9 ↑</p> <p>2: *10.6 ↘</p> <p>3: 9.7 ↖</p> <p>4: 9.0 ↑</p> <p>5: 9.7 ↙</p> <p>6: 8.8 ↗</p> <p>7: 7.2 ←</p> <p>8: 9.6 ←</p> <p>9: 10.2 ↑</p> <p>10: 8.7 ↑</p>	<p>Series 2</p>	<p>11: 9.0 ←</p> <p>12: 7.2 ←</p> <p>13: 8.0 ←</p> <p>14: 9.0 ↗</p> <p>15: 8.6 ↑</p> <p>16: 9.5 ↖</p> <p>17: 9.5 ↖</p> <p>18: 7.7 ←</p> <p>19: 8.4 ↙</p> <p>20: 9.3 ↗</p>
	Series 87.0		Series 83.0
	Total 87.0		Total 170.0

<p>Series 3</p>	<p>21: 9.9 ↖</p> <p>22: 8.4 ↑</p> <p>23: 9.1 ↖</p> <p>24: 10.3 ↖</p> <p>25: 8.1 ↙</p> <p>26: 9.8 →</p> <p>27: 9.7 →</p> <p>28: 8.4 ←</p> <p>29: 8.0 ↗</p> <p>30: 9.1 ↖</p>	<p>Series 4</p>	<p>31: 10.3 ↖</p> <p>32: 9.0 →</p> <p>33: 9.1 ↗</p> <p>34: 9.6 ↖</p> <p>35: 9.7 ↗</p> <p>36: 7.9 ←</p> <p>37: 9.0 ↑</p> <p>38: 7.2 ↖</p> <p>39: 8.1 ↗</p> <p>40: 9.8 ←</p>
	Series 87.0		Series 86.0
	Total 257.0		Total 343.0

<p>Series 5</p>	<p>41: 8.7 ↗</p> <p>42: 9.9 ↖</p> <p>43: 9.7 ↑</p> <p>44: 9.7 ↙</p> <p>45: 9.8 ↙</p> <p>46: 8.1 ↙</p> <p>47: 9.1 ↑</p> <p>48: 9.3 ↗</p> <p>49: 9.0 ↑</p> <p>50: 8.5 ↗</p>	<p>Series 6</p>	<p>51: 8.3 ↑</p> <p>52: 9.3 ↑</p> <p>53: 9.8 ↙</p> <p>54: 9.0 ←</p> <p>55: 10.2 ↖</p> <p>56: 10.3 ↖</p> <p>57: 10.0 ↗</p> <p>58: 9.4 ↑</p> <p>59: 8.3 ↙</p> <p>60: 8.3 →</p>
	Series 87.0		Series 90.0
	Total 430.0		Total 520.0

Relay	Lane	Sami Haume			
1	11	NoSA	Y P		
09.-10.03.2013		Kevätkilpailu	Kankaanpään Ampumaurheilijat		
Series 1	4	1: 8.6 ↙	Series 2	4	11: 9.6 →
	5	2: *10.4 ↙		5	12: 8.8 →
	6	3: 9.2 →		6	13: *10.4 ↘
	7	4: 8.3 →		7	14: 10.1 →
	8	5: 9.0 ↓		8	15: 8.4 →
	8	6: 10.0 ↑		8	16: 8.3 ↓
	7	7: *10.6 ↘		7	17: 9.6 ↘
	6	8: 10.1 →		6	18: *10.4 ↘
	5	9: 9.2 →		5	19: 9.4 ↙
	4	10: *10.5 ↘		4	20: 9.3 →
	Series 93.0		Series 90.0		
	Total 93.0		Total 183.0		
Series 3	4	21: *10.5 ↗	Series 4	4	31: 9.9 ↓
	5	22: 10.1 ↓		5	32: 9.4 →
	6	23: 9.2 →		6	33: 9.0 →
	7	24: *10.6 ↘		7	34: *10.7 ↗
	8	25: 8.3 ↓		8	35: 8.9 ↙
	8	26: 10.1 ↓		8	36: 9.8 ↘
	7	27: 10.1 ↓		7	37: 9.8 ↙
	6	28: 9.9 →		6	38: 10.2 ↓
	5	29: *10.6 ↘		5	39: 7.7 ↓
	4	30: 9.8 →		4	40: 8.0 →
	Series 95.0		Series 88.0		
	Total 278.0		Total 366.0		
Series 5	4	41: 9.4 ↙	Series 6	4	51: 9.1 ↙
	5	42: 9.9 ↗		5	52: 9.7 →
	6	43: 7.8 ↓		6	53: 9.6 ↘
	7	44: 8.9 ↓		7	54: 9.4 ↙
	8	45: 8.8 ↘		8	55: 9.1 →
	8	46: 8.8 ↘		8	56: *10.6 ↘
	7	47: 8.1 →		7	57: 9.8 ↓
	6	48: *10.8 ↘		6	58: 8.8 ↓
	5	49: 8.7 ↙		5	59: 6.7 →
	4	50: 9.9 →		4	60: 10.1 ↗
	Series 84.0		Series 88.0		
	Total 450.0		Total 538.0		

<p>Series 1</p>	<p>1: *10.4 ↖</p> <p>2: 7.8 ↓</p> <p>3: 8.8 ↖</p> <p>4: 7.7 ↑</p> <p>5: 9.5 ↑</p> <p>6: 7.9 ←</p> <p>7: 8.8 ↙</p> <p>8: 9.3 ↑</p> <p>9: 10.1 ↗</p> <p>10: 7.9 ↙</p> <p>Series 82.0</p> <p>Total 82.0</p>	<p>Series 2</p>	<p>11: *10.7 ↘</p> <p>12: 9.3 ←</p> <p>13: 8.9 →</p> <p>14: 7.9 ↖</p> <p>15: 9.0 ↖</p> <p>16: 9.8 ↑</p> <p>17: 7.3 ↗</p> <p>18: 9.0 ↗</p> <p>19: 8.5 ↑</p> <p>20: 9.1 ←</p> <p>Series 85.0</p> <p>Total 167.0</p>
-----------------	--	-----------------	---

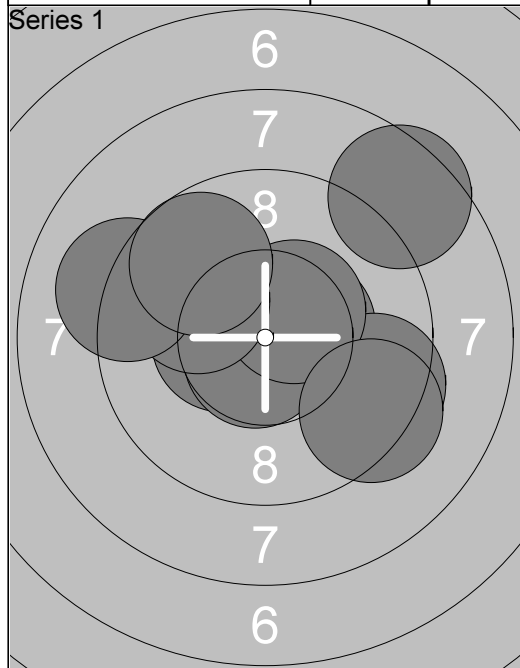
<p>Series 3</p>	<p>21: 9.9 →</p> <p>22: 9.8 →</p> <p>23: 8.1 →</p> <p>24: 7.9 ←</p> <p>25: *10.7 ↖</p> <p>26: 9.0 →</p> <p>27: *10.5 ↖</p> <p>28: 10.2 ↗</p> <p>29: 8.9 →</p> <p>30: 8.5 ←</p> <p>Series 88.0</p> <p>Total 255.0</p>	<p>Series 4</p>	<p>31: *10.6 ↑</p> <p>32: 6.8 ↖</p> <p>33: *10.4 ↘</p> <p>34: 8.8 ←</p> <p>35: 9.2 →</p> <p>36: 9.3 ↘</p> <p>37: 9.3 ↖</p> <p>38: 8.6 ←</p> <p>39: 10.0 ↖</p> <p>40: 10.3 →</p> <p>Series 89.0</p> <p>Total 344.0</p>
-----------------	--	-----------------	---

<p>Series 5</p>	<p>41: 9.4 ↖</p> <p>42: 8.5 ↖</p> <p>43: 8.5 ↖</p> <p>44: 10.1 ↑</p> <p>45: 9.0 ←</p> <p>46: 7.9 ←</p> <p>47: 9.0 →</p> <p>48: 9.8 ↙</p> <p>49: 10.2 ↘</p> <p>50: 8.1 ↖</p> <p>Series 87.0</p> <p>Total 431.0</p>	<p>Series 6</p>	<p>51: 7.5 ↑</p> <p>52: 7.8 ↑</p> <p>53: 8.2 ←</p> <p>54: 8.6 ↑</p> <p>55: 10.1 ↑</p> <p>56: 9.9 ↑</p> <p>57: 7.7 ↑</p> <p>58: 8.9 ↑</p> <p>59: 8.5 ↑</p> <p>60: 8.7 ←</p> <p>Series 80.0</p> <p>Total 511.0</p>
-----------------	---	-----------------	--

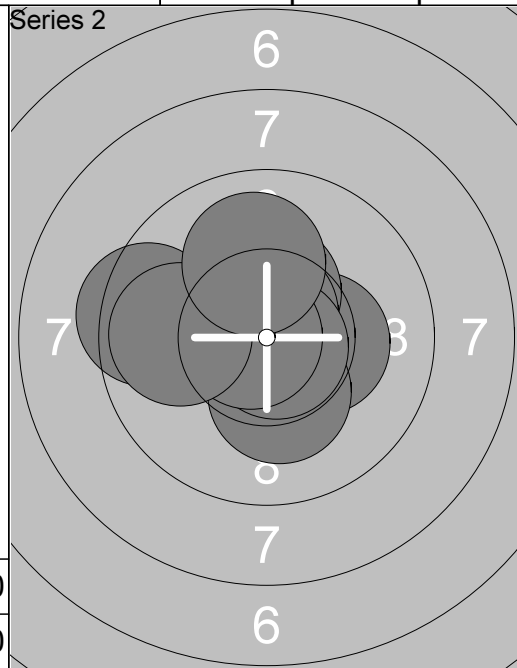
Relay	Lane	Jones Lång		
1	13			

Air	KaA	Y18	R
-----	-----	-----	---

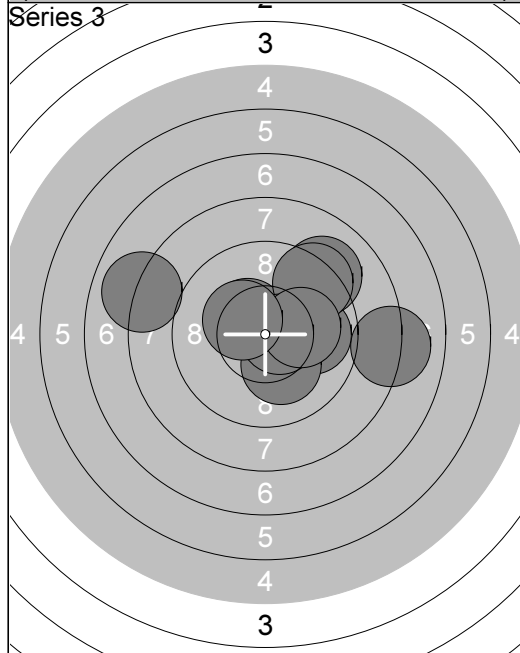
09.-10.03.2013	Kevätkilpailu	Kankaanpään Ampumaurheilijat	
----------------	---------------	------------------------------	--



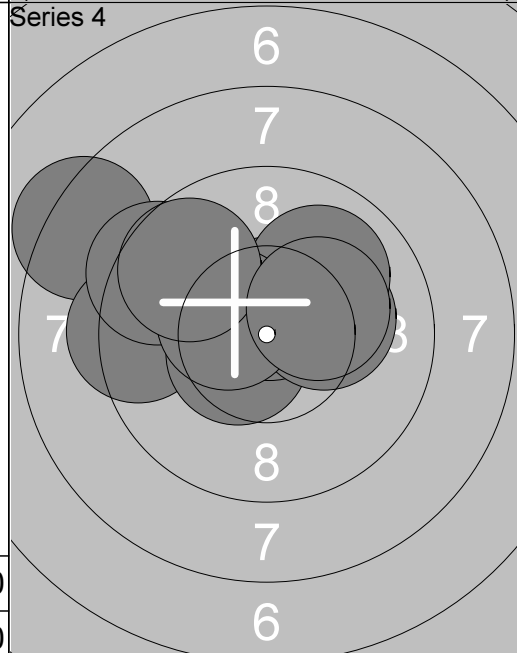
1:	8.5	↗
2:	*10.4	←
3:	*10.5	→
4:	9.5	→
5:	*10.7	↘
6:	*10.5	↗
7:	9.3	↘
8:	10.0	↖
9:	9.1	←
10:	9.7	↖
Series	94.0	
Total	94.0	



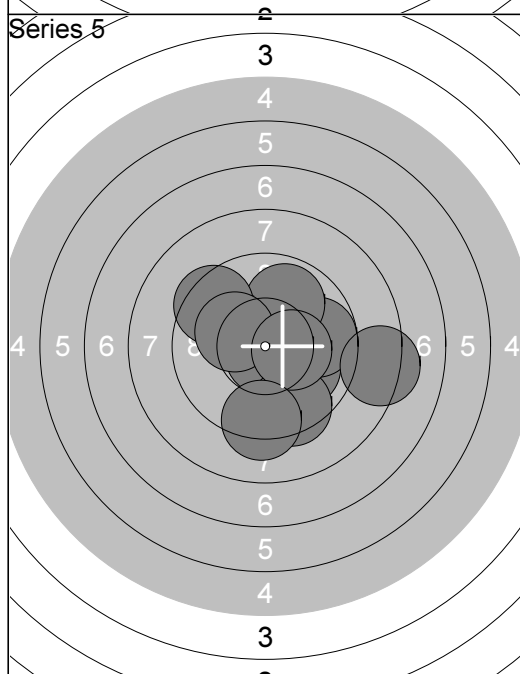
11:	*10.3	↖
12:	*10.3	→
13:	*10.2	↘
14:	*10.4	↑
15:	9.4	←
16:	*10.7	↑
17:	*10.8	↘
18:	*10.8	↖
19:	9.9	←
20:	10.0	↑
Series	98.0	
Total	192.0	



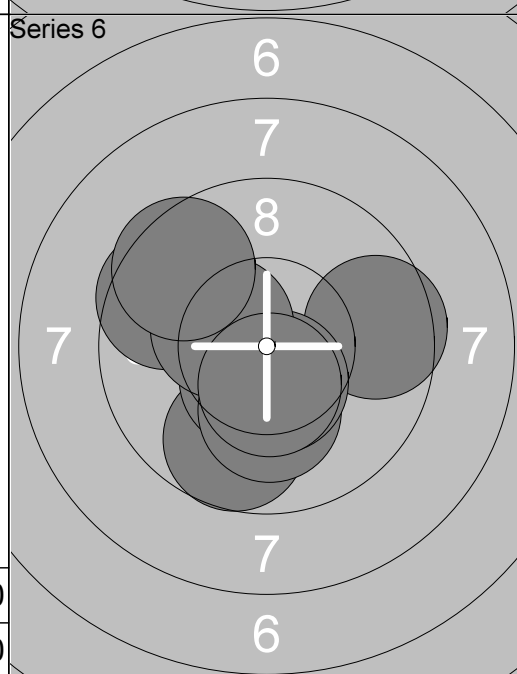
21:	8.1	→
22:	9.9	→
23:	8.0	←
24:	9.1	↗
25:	*10.2	↘
26:	*10.4	↖
27:	9.4	↗
28:	*10.6	→
29:	10.1	→
30:	*10.3	↖
Series	93.0	
Total	285.0	



31:	8.3	↖
32:	9.3	←
33:	*10.5	↘
34:	*10.6	↑
35:	*10.2	→
36:	10.0	↗
37:	9.4	↖
38:	*10.4	↖
39:	9.7	↖
40:	*10.2	↗
Series	95.0	
Total	380.0	

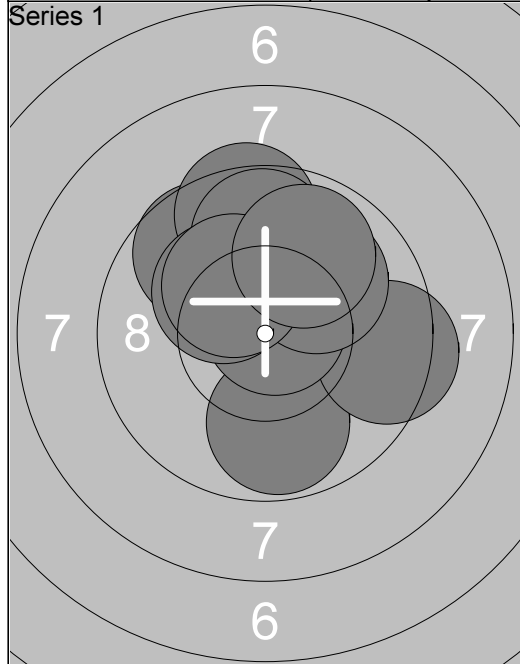


41:	10.0	↘
42:	9.7	→
43:	9.9	↗
44:	*10.7	↘
45:	9.5	↖
46:	8.3	→
47:	9.5	↘
48:	*10.2	↖
49:	*10.3	→
50:	9.3	↓
Series	93.0	
Total	473.0	

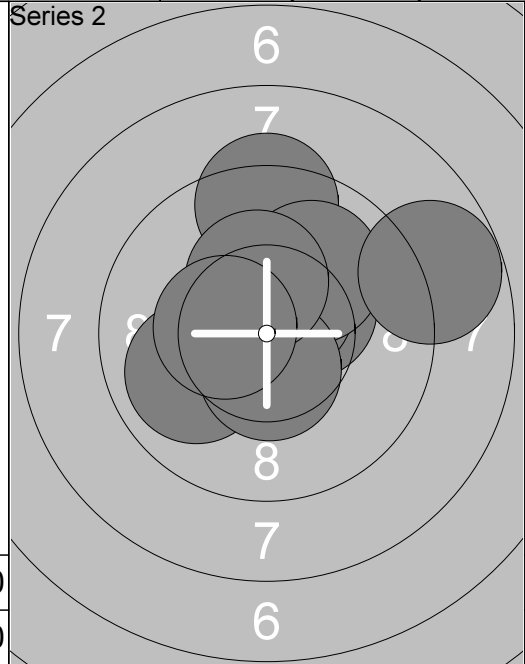


51:	9.7	↘
52:	9.7	↖
53:	*10.5	↘
54:	10.1	↓
55:	9.6	→
56:	9.6	↖
57:	*10.5	↘
58:	*10.3	↖
59:	9.5	↖
60:	*10.5	↘
Series	95.0	
Total	568.0	

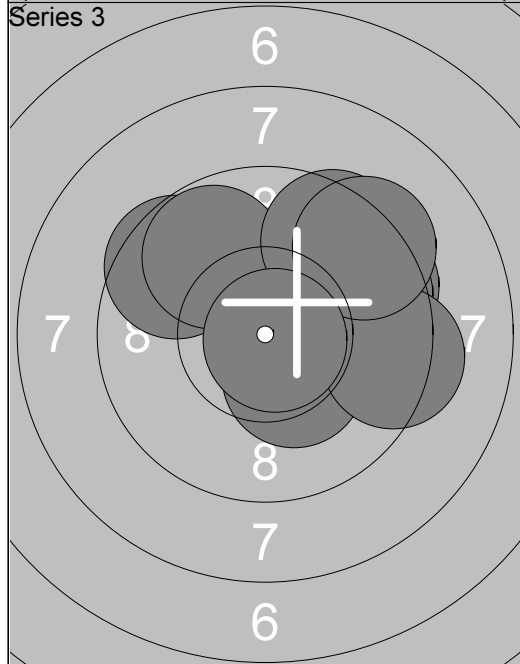
Relay	Lane	Aleksi Lammintausta			
Air	KaA	Y20	R		
09.-10.03.2013	Kevätkilpailu	Kankaanpään Ampumaurheilijat			
Series 1		1: 9.2 ↘	Series 2		11: 9.6 ←
		2: 9.4 ↘			12: 9.7 ↓
		3: *10.3 ↘			13: 8.9 ←
		4: 9.6 →		14: *10.6 →	15: 10.1 ←
		5: 10.1 ↓		16: 9.4 ←	17: 10.1 ↘
		6: *10.2 ↘		18: 9.7 ←	19: *10.3 ↓
		7: 9.9 ←		20: 9.7 ↓	
		8: 9.3 →			
		9: 8.6 ↓			
		10: 10.0 ←			
	Series 93.0			Series 93.0	
	Total 93.0			Total 186.0	
Series 3		21: *10.3 ↓	Series 4		31: 9.5 ↗
		22: 9.0 ←			32: 9.0 →
		23: 9.9 ↓			33: 9.7 →
		24: *10.5 ↓		34: 9.3 →	35: 9.9 ↓
		25: 9.9 ↓		36: 9.9 ←	37: 9.6 →
		26: *10.2 →		38: 9.9 ←	39: 9.8 →
		27: 9.5 ↓		40: *10.4 ←	
		28: *10.2 →			
		29: 9.5 ↗			
		30: *10.6 →			
	Series 95.0			Series 91.0	
	Total 281.0			Total 372.0	
Series 5		41: *10.6 ↓	Series 6		51: 10.1 ↑
		42: *10.4 →			52: *10.3 ↘
		43: 9.3 ↑			53: *10.3 ↘
		44: 9.8 →		54: *10.6 ↘	55: *10.3 →
		45: *10.4 ↓		56: 9.5 ↗	57: *10.5 ↘
		46: 10.0 ↓		58: 10.0 ↑	59: *10.3 →
		47: 9.9 ↗		60: *10.2 ↘	
		48: 10.1 ←			
		49: *10.3 ↑			
		50: *10.5 ↗			
	Series 97.0			Series 99.0	
	Total 469.0			Total 568.0	



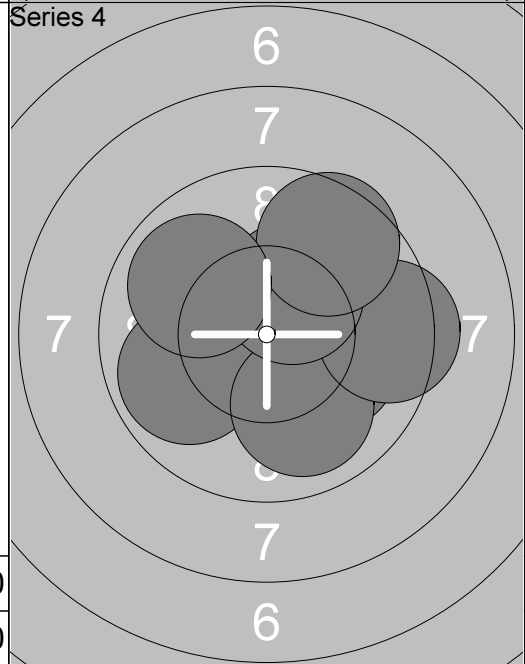
1:	9.7	↖
2:	9.8	↓
3:	9.4	→
4:	*10.8	↗
5:	9.5	↑
6:	9.8	↑
7:	10.1	↗
8:	*10.2	↖
9:	*10.2	↖
10:	9.9	↗
Series	94.0	
Total	94.0	



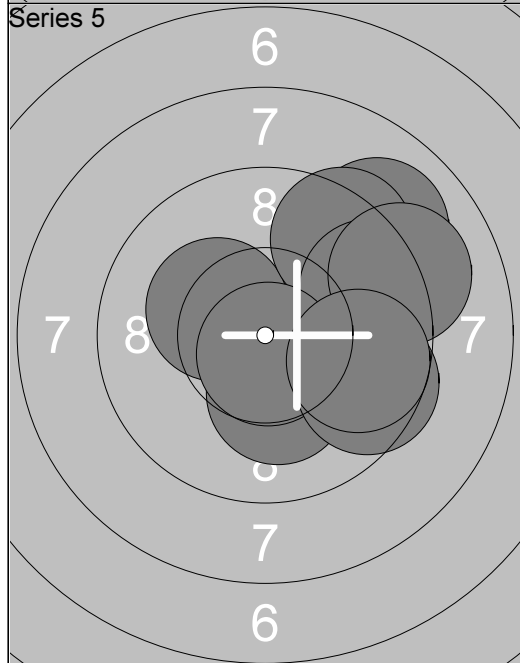
11:	*10.9	↗
12:	*10.4	↗
13:	*10.5	↗
14:	10.0	↖
15:	9.3	↑
16:	10.0	↗
17:	8.8	→
18:	*10.5	↓
19:	*10.3	↗
20:	*10.4	↖
Series	97.0	
Total	191.0	



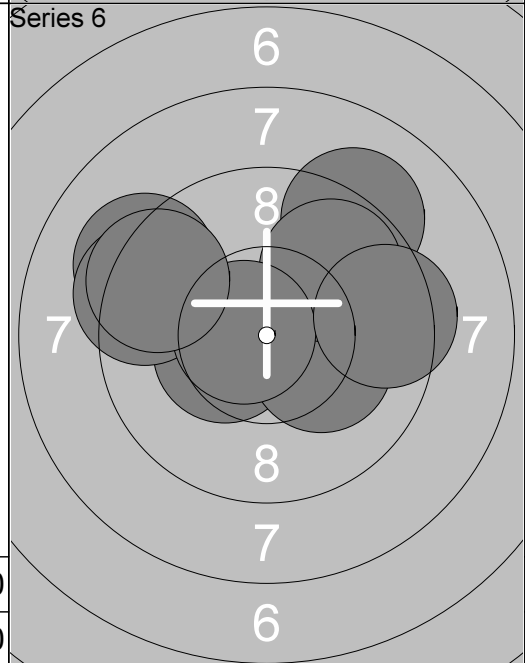
21:	9.6	→
22:	9.6	↖
23:	*10.3	↓
24:	9.5	→
25:	9.6	→
26:	9.8	↖
27:	9.5	↗
28:	9.3	→
29:	9.3	↗
30:	*10.8	↓
Series	92.0	
Total	283.0	



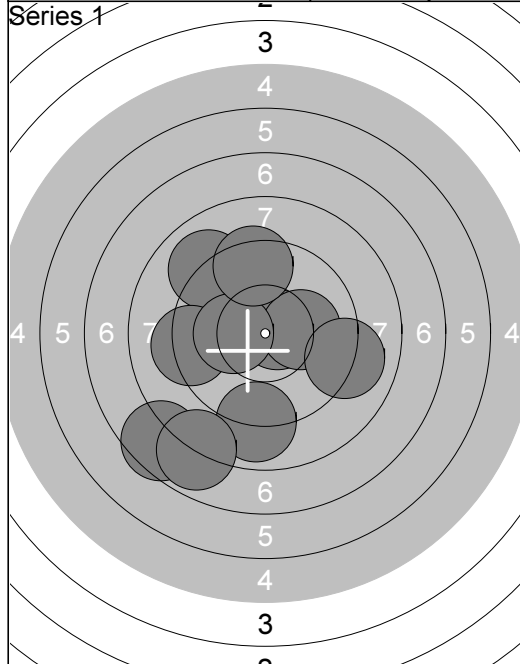
31:	*10.2	↓
32:	*10.3	→
33:	10.1	→
34:	*10.7	↓
35:	9.9	↖
36:	10.0	↓
37:	9.4	→
38:	*10.3	↗
39:	9.6	↗
40:	9.9	↖
Series	96.0	
Total	379.0	



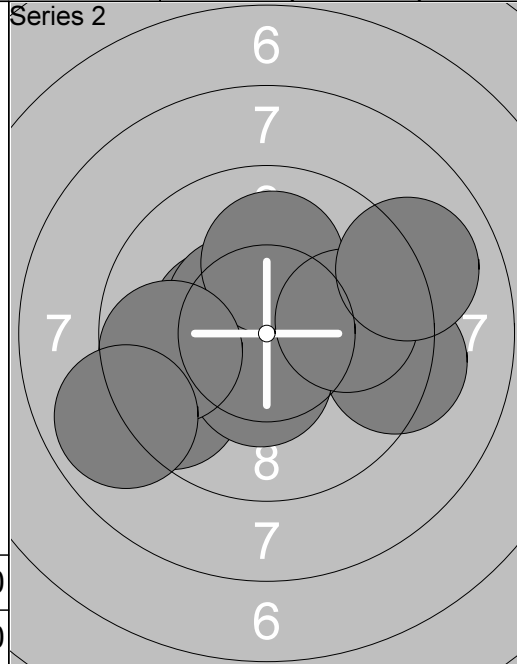
41:	*10.3	↖
42:	*10.4	↓
43:	*10.2	↓
44:	9.0	↗
45:	9.4	↗
46:	9.5	→
47:	*10.7	↓
48:	9.1	→
49:	9.5	→
50:	9.7	→
Series	94.0	
Total	473.0	



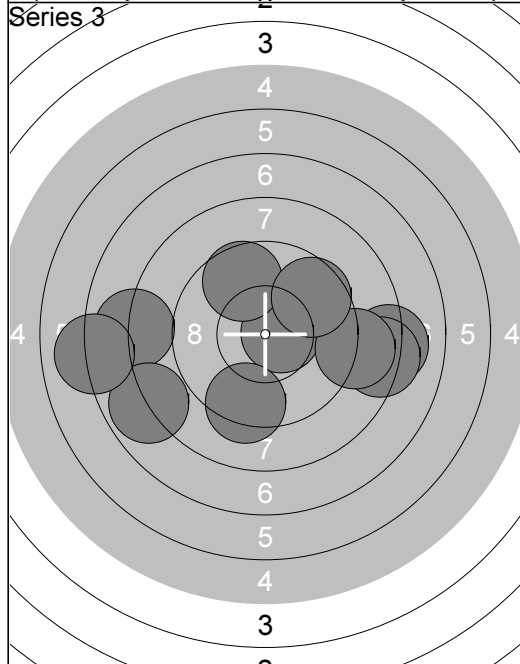
51:	10.0	→
52:	9.2	↗
53:	*10.4	↖
54:	9.2	↖
55:	*10.2	↘
56:	9.3	↖
57:	9.8	↗
58:	*10.7	↖
59:	9.4	↖
60:	9.4	→
Series	94.0	
Total	567.0	



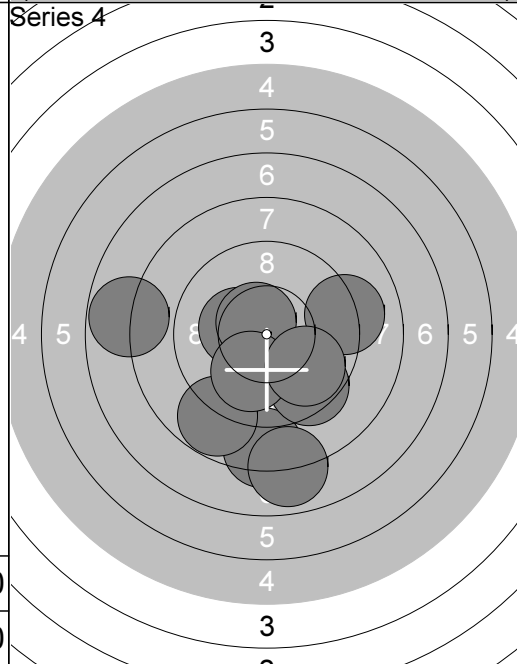
1: *10.7	→
2: 9.0	↖
3: 9.2	←
4: 10.1	→
5: 8.9	↓
6: *10.2	↖
7: 7.5	↙
8: 9.4	↑
9: 7.9	↙
10: 9.0	→
<b>Series</b>	<b>88.0</b>
<b>Total</b>	<b>88.0</b>



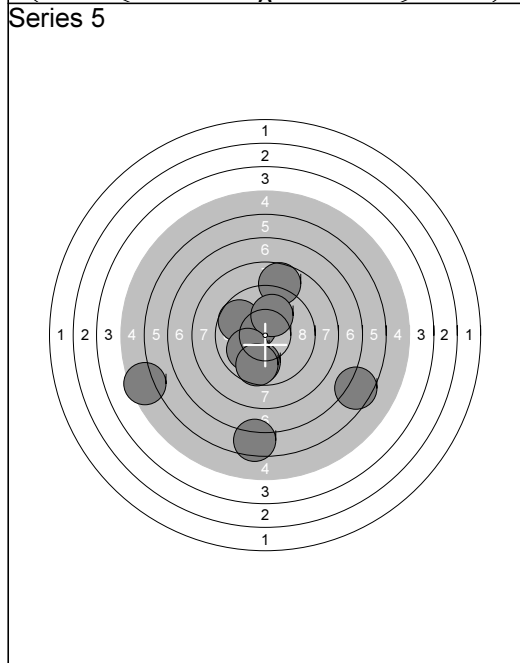
11: *10.3	↖
12: 9.3	→
13: *10.5	↖
14: 9.5	↙
15: *10.4	↓
16: 10.1	↑
17: 9.9	→
18: 9.0	↗
19: 9.7	←
20: 8.9	↙
<b>Series</b>	<b>93.0</b>
<b>Total</b>	<b>181.0</b>



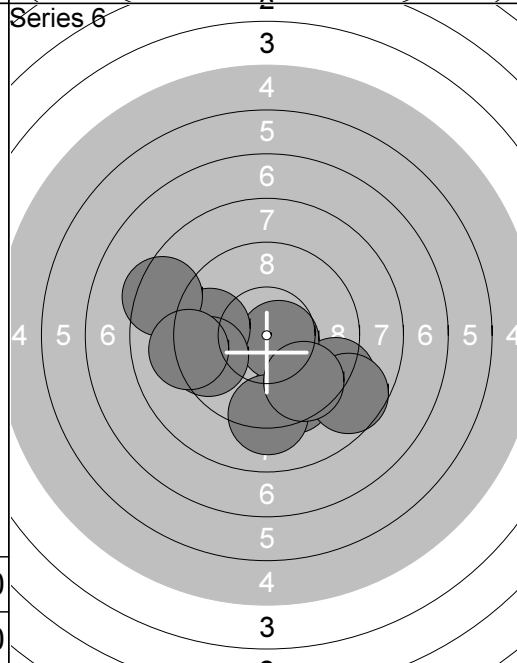
21: *10.6	→
22: 8.1	→
23: 8.3	→
24: 8.0	←
25: 9.3	↙
26: 9.6	↖
27: 7.9	←
28: 8.9	→
29: 9.6	↗
30: 7.1	←
<b>Series</b>	<b>83.0</b>
<b>Total</b>	<b>264.0</b>



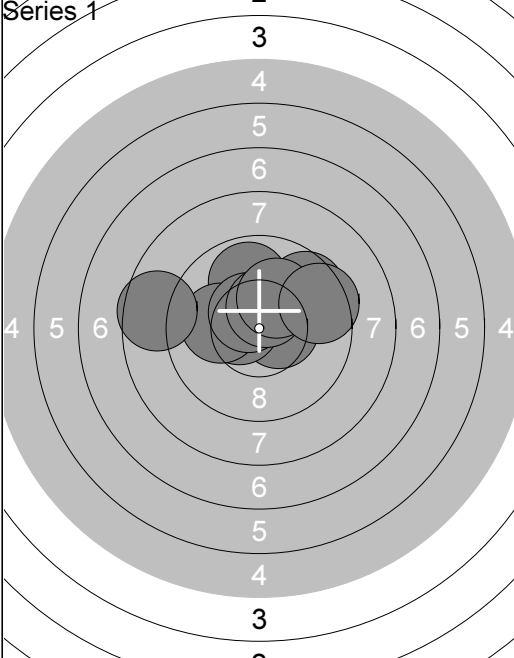
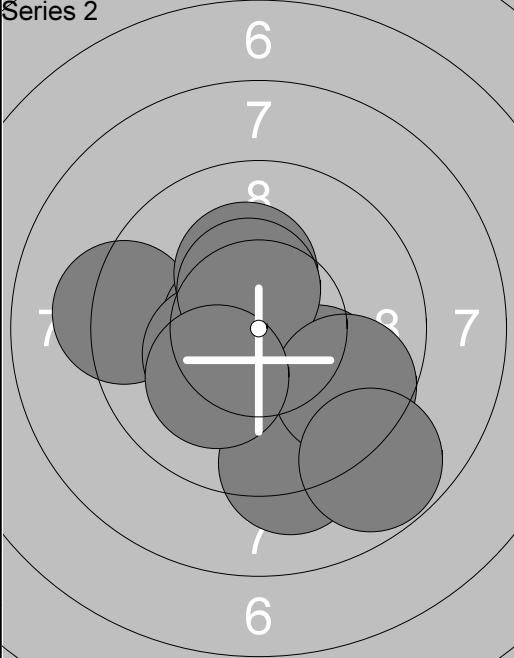
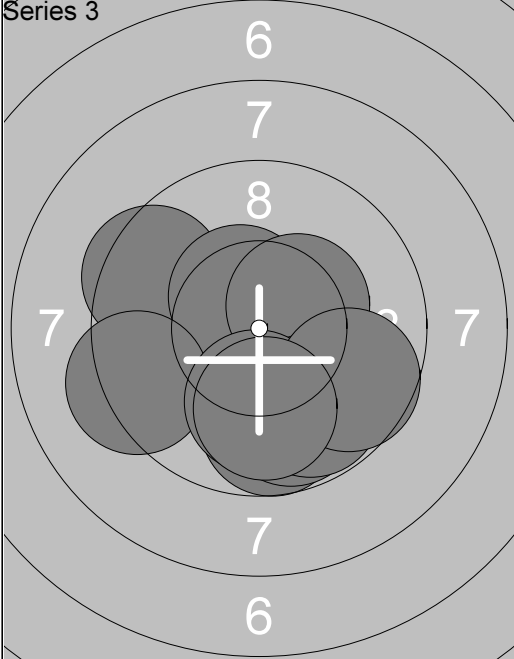
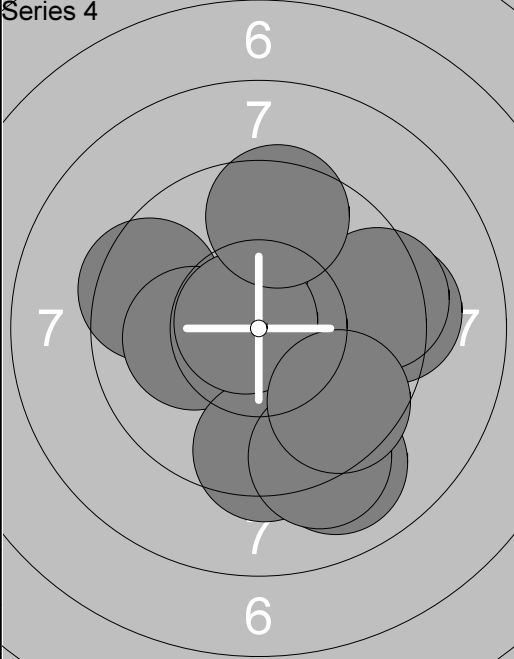
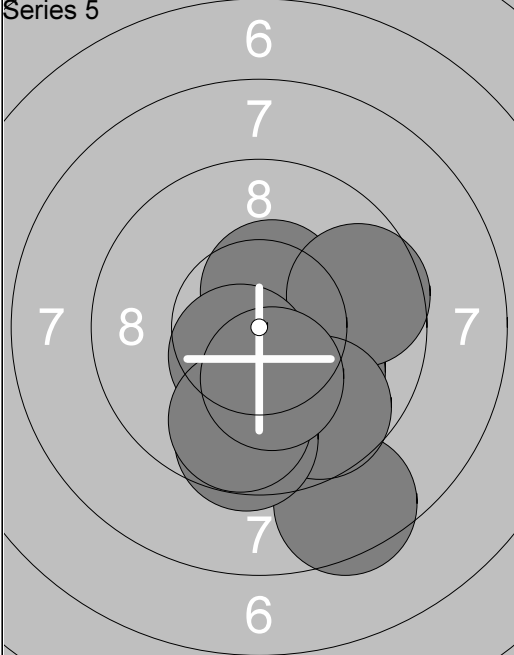
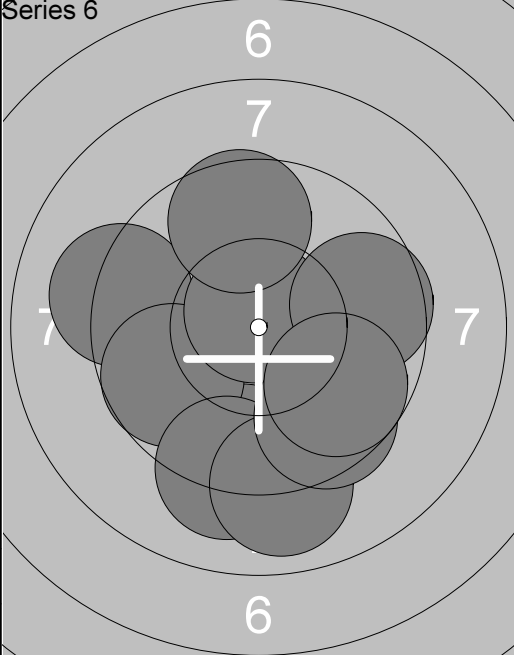
31: 7.8	←
32: 8.4	↓
33: 7.9	↙
34: 9.1	→
35: 9.4	↙
36: *10.3	↖
37: 8.8	↙
38: *10.6	↖
39: 10.0	↙
40: 9.8	↙
<b>Series</b>	<b>87.0</b>
<b>Total</b>	<b>351.0</b>



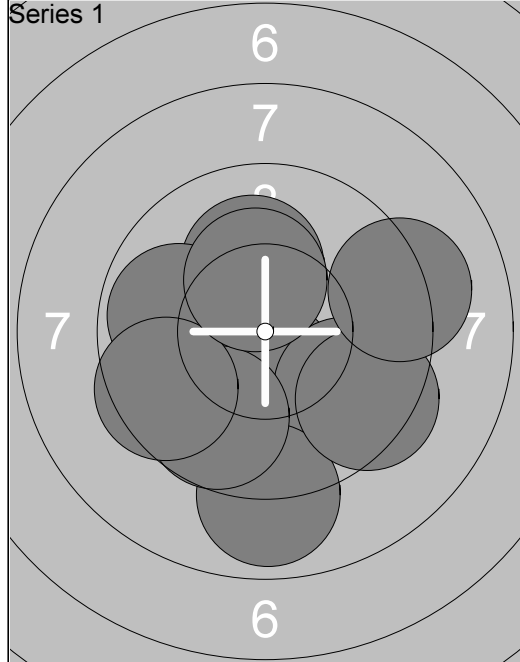
41: *10.4	↖
42: 9.8	↓
43: 9.7	↖
44: 6.5	→
45: 8.7	↑
46: 10.1	↖
47: 10.0	↖
48: 5.5	←
49: 9.7	↙
50: 6.5	↓
<b>Series</b>	<b>82.0</b>
<b>Total</b>	<b>433.0</b>



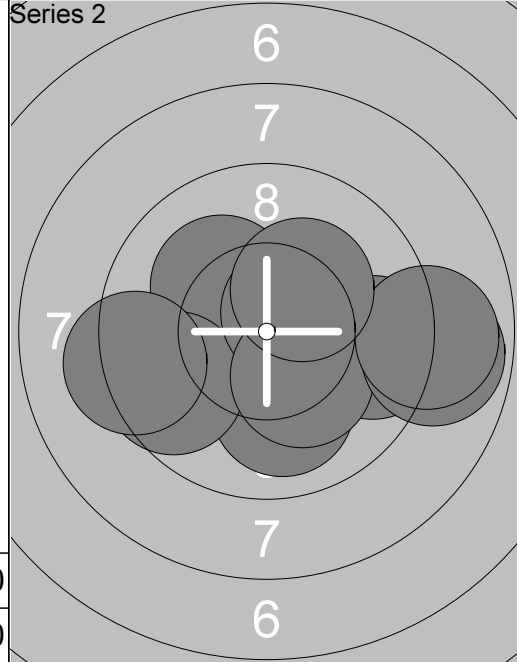
51: 9.5	↙
52: 9.1	↙
53: *10.6	↖
54: 9.6	←
55: 8.4	←
56: 9.2	↓
57: 9.5	↖
58: 8.7	↙
59: 9.2	←
60: 9.6	↙
<b>Series</b>	<b>89.0</b>
<b>Total</b>	<b>522.0</b>

Relay	Lane	Mika Ketola		
Air	KA	Y18	R	
09.-10.03.2013	Kevätkilpailu	Kankaanpään Ampumaurheilijat		
Series 1 	1: 9.9 ↑	Series 2 	11: 10.0 ↘	
	2: *10.5 →		12: 9.2 ←	
	3: 9.6 ↗		13: 9.2 ↓	
	4: *10.5 ↖		14: *10.6 ↖	
	5: 10.0 ←		15: *10.2 ↗	
	6: *10.5 ↘		16: *10.3 ↘	
	7: *10.5 ↗		17: *10.5 ↗	
	8: *10.2 ↗		18: 9.7 ↘	
	9: 9.5 →		19: 8.8 ↘	
	10: 8.6 ←		20: *10.2 ↘	
Series 95.0	Series 95.0	Series 95.0	Series 95.0	
Total 95.0	Total 95.0	Total 190.0	Total 190.0	
Series 3 	21: 9.5 ←	Series 4 	31: 9.5 ←	
	22: 9.7 ↓		32: 10.1 ←	
	23: *10.5 ↘		33: 9.4 ↓	
	24: 9.3 ←		34: 9.0 ↓	
	25: *10.4 →		35: 9.3 →	
	26: 9.8 ↓		36: 9.4 →	
	27: 9.8 ↓		37: 9.2 ↓	
	28: 10.0 ↓		38: *10.8 ↖	
	29: 9.7 →		39: 9.6 ↓	
	30: 9.9 ↓		40: 9.5 ↑	
Series 93.0	Series 92.0	Series 92.0	Series 92.0	
Total 283.0	Total 283.0	Total 375.0	Total 375.0	
Series 5 	41: *10.2 ↘	Series 6 	51: 9.3 ↓	
	42: 10.0 ↘		52: 9.2 ←	
	43: *10.5 ↗		53: 9.7 ↖	
	44: 9.7 →		54: 9.2 ↓	
	45: 8.5 ↓		55: 9.0 ↓	
	46: 9.7 ↓		56: *10.7 ↗	
	47: 9.6 ↓		57: 9.6 ↓	
	48: *10.5 ↘		58: 9.6 ↑	
	49: 9.8 ↓		59: 9.7 →	
	50: *10.3 ↘		60: 9.7 ↘	
Series 94.0	Series 91.0	Series 91.0	Series 91.0	
Total 469.0	Total 469.0	Total 560.0	Total 560.0	

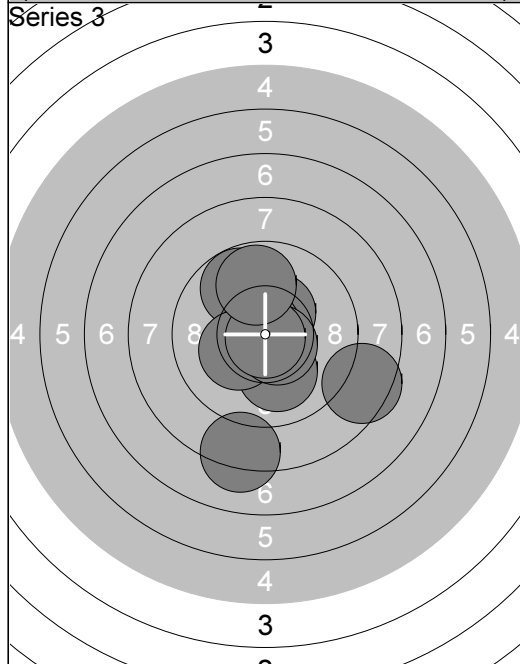




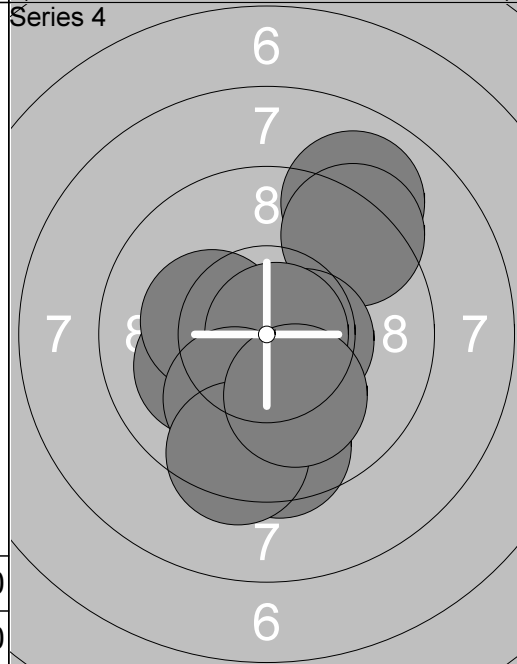
1:	10.1	↑
2:	9.9	←
3:	*10.4	↓
4:	9.7	→
5:	8.9	↓
6:	9.7	↓
7:	9.4	→
8:	9.5	←
9:	*10.3	↑
10:	9.2	→
Series	92.0	
Total	92.0	



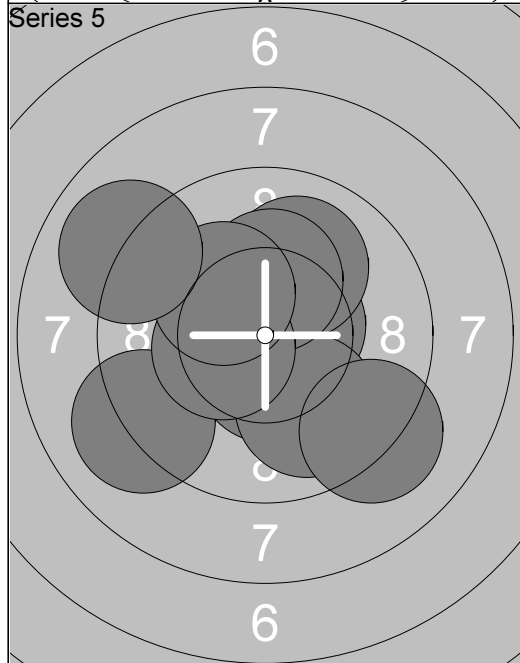
11:	9.6	→
12:	*10.2	↖
13:	10.0	↓
14:	9.6	←
15:	*10.6	↗
16:	*10.2	↘
17:	8.9	→
18:	8.9	→
19:	*10.3	↗
20:	9.3	←
Series	93.0	
Total	185.0	



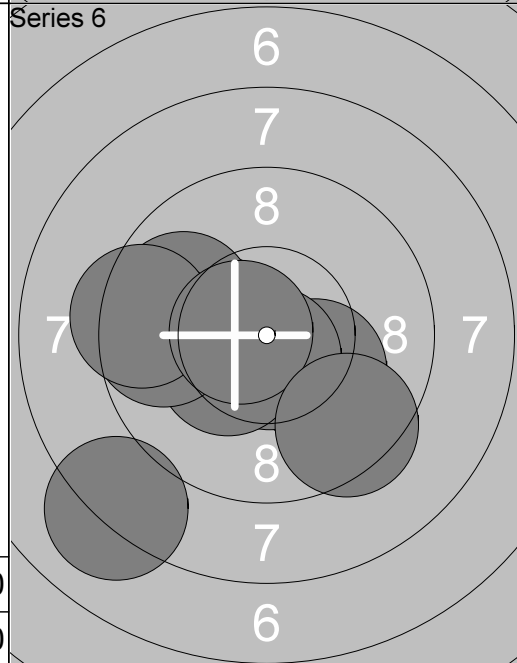
21:	*10.4	↗
22:	9.8	↖
23:	8.5	→
24:	10.1	↓
25:	*10.8	↖
26:	*10.3	↘
27:	*10.6	↘
28:	*10.9	↓
29:	9.8	↑
30:	8.2	↓
Series	94.0	
Total	279.0	



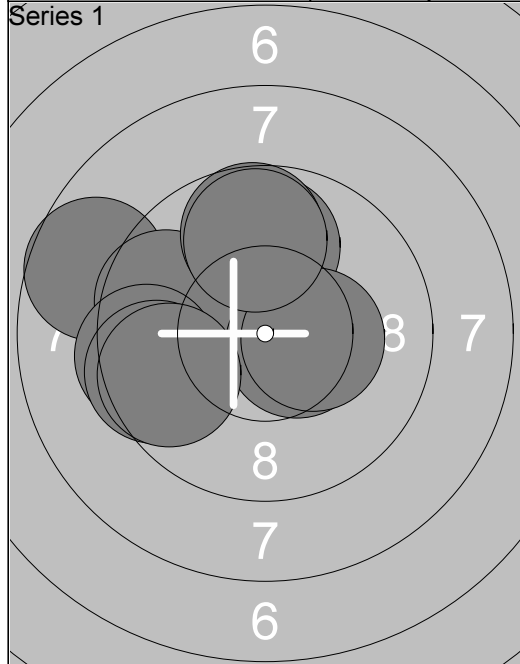
31:	10.1	←
32:	9.0	↗
33:	*10.3	↖
34:	9.3	↗
35:	*10.5	→
36:	9.6	↓
37:	*10.8	→
38:	10.0	↓
39:	9.4	↓
40:	10.1	↓
Series	96.0	
Total	375.0	



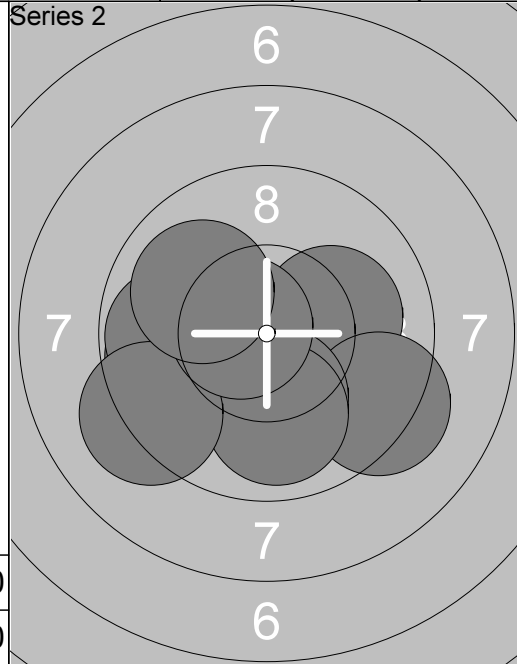
41:	*10.5	↓
42:	*10.6	→
43:	9.9	↓
44:	10.0	↗
45:	9.2	↓
46:	9.1	←
47:	*10.3	↑
48:	*10.4	↖
49:	*10.2	↖
50:	9.0	←
Series	96.0	
Total	471.0	



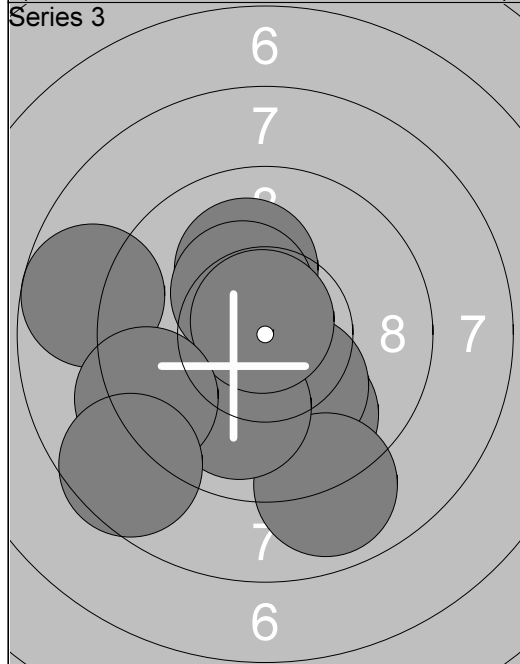
51:	*10.3	↖
52:	*10.2	↘
53:	9.8	←
54:	*10.7	↓
55:	*10.4	↖
56:	9.7	←
57:	9.4	←
58:	*10.6	↖
59:	9.4	↓
60:	8.1	↖
Series	94.0	
Total	565.0	



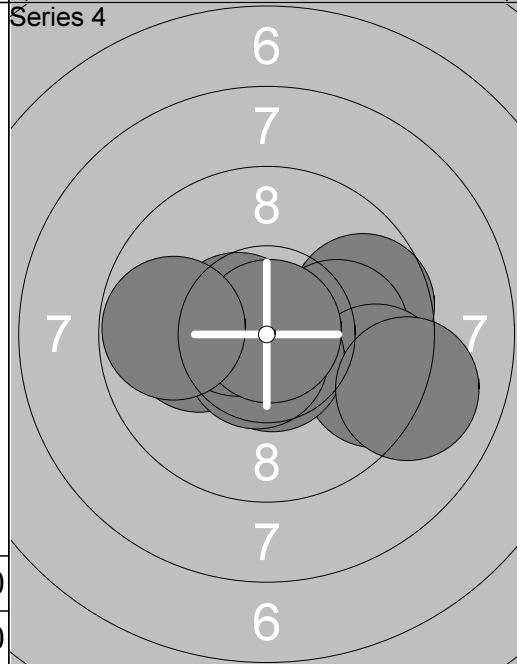
1:	9.9	↑
2:	8.7	↖
3:	9.7	↖
4:	*10.5	→
5:	*10.3	→
6:	9.4	↖
7:	9.7	↑
8:	9.5	↖
9:	9.6	↖
10:	9.8	↑
Series		91.0
Total		91.0



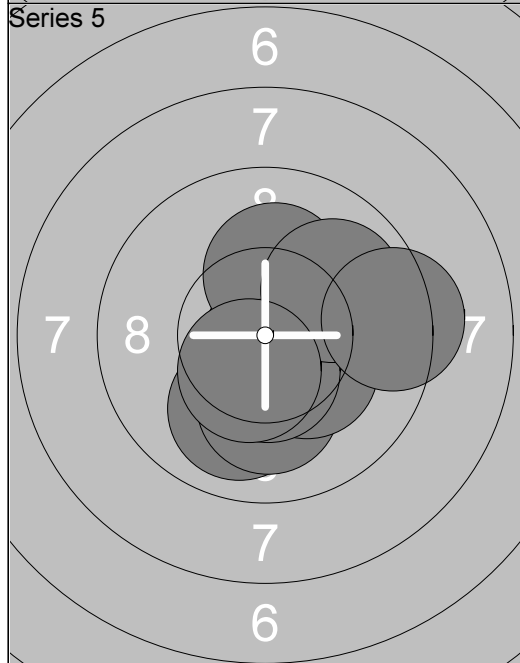
11:	10.1	→
12:	9.3	↘
13:	10.1	↓
14:	*10.4	↖
15:	9.8	↖
16:	9.8	↖
17:	10.0	↓
18:	9.2	↖
19:	*10.6	↖
20:	10.0	↖
Series		96.0
Total		187.0



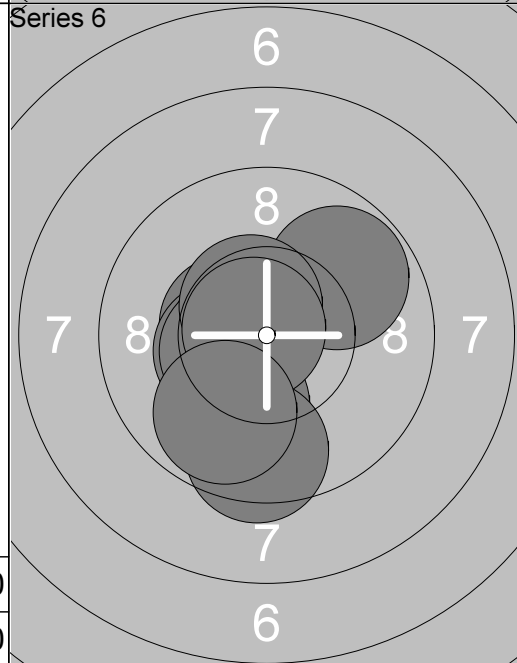
21:	9.8	↘
22:	*10.2	↘
23:	10.1	↑
24:	*10.4	↖
25:	8.9	↘
26:	8.7	↖
27:	10.0	↓
28:	*10.8	↑
29:	9.3	↖
30:	8.6	↖
Series		92.0
Total		279.0



31:	9.7	→
32:	10.1	↖
33:	10.1	→
34:	9.5	↘
35:	*10.6	↘
36:	*10.6	↘
37:	9.1	↘
38:	*10.6	↖
39:	*10.9	↗
40:	9.8	↖
Series		96.0
Total		375.0



41:	*10.5	↘
42:	10.0	↘
43:	10.1	↓
44:	*10.3	↘
45:	*10.8	↘
46:	*10.2	↑
47:	*10.5	↘
48:	9.9	↗
49:	*10.5	↘
50:	9.3	→
Series		98.0
Total		473.0

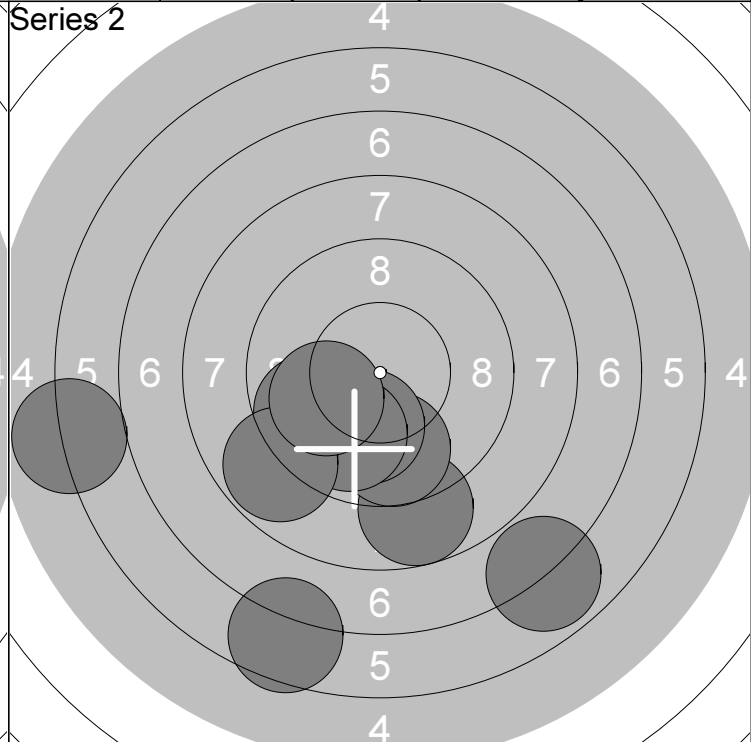
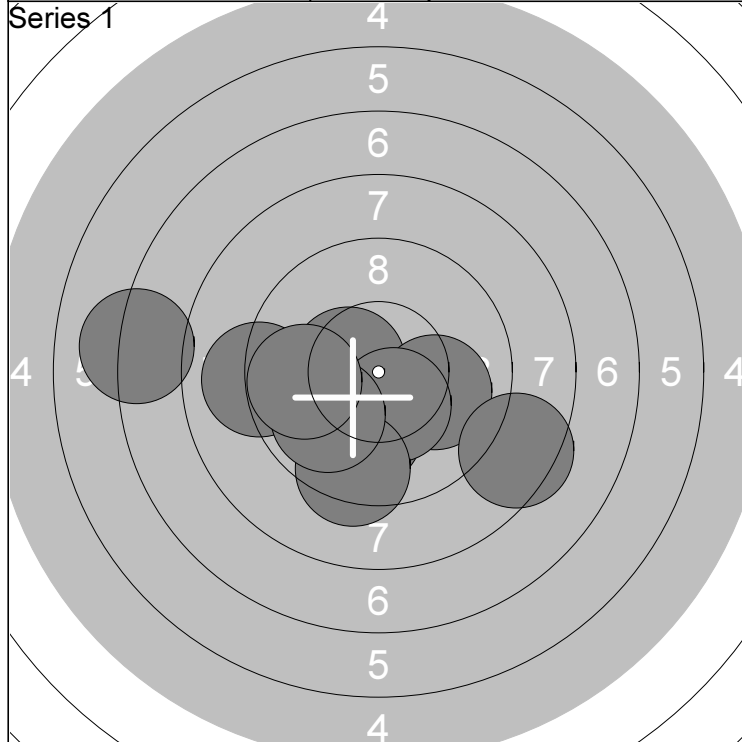


51:	*10.5	↖
52:	*10.4	↖
53:	*10.7	↖
54:	10.0	↓
55:	9.8	↗
56:	9.5	↓
57:	*10.5	↖
58:	*10.5	↖
59:	*10.8	↖
60:	9.9	↘
Series		97.0
Total		570.0

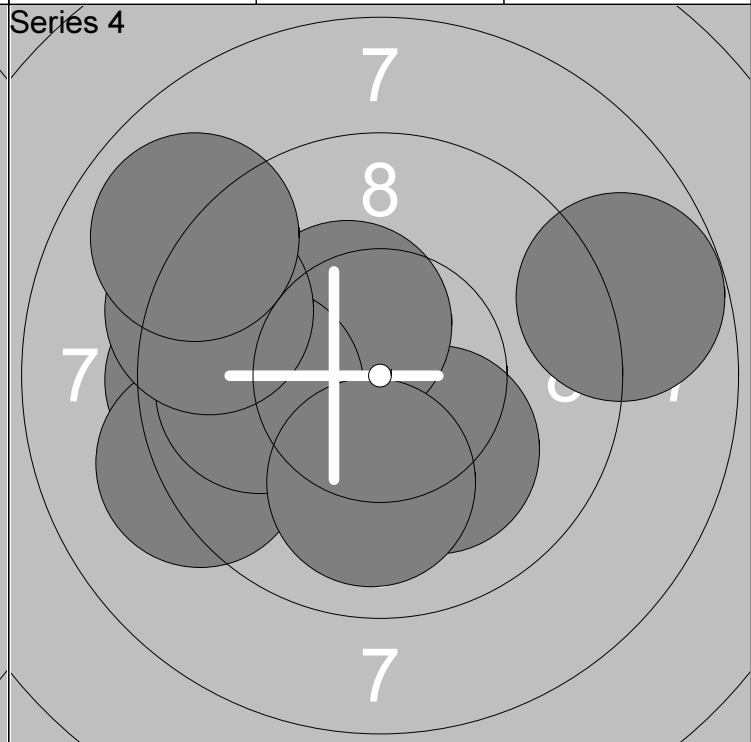
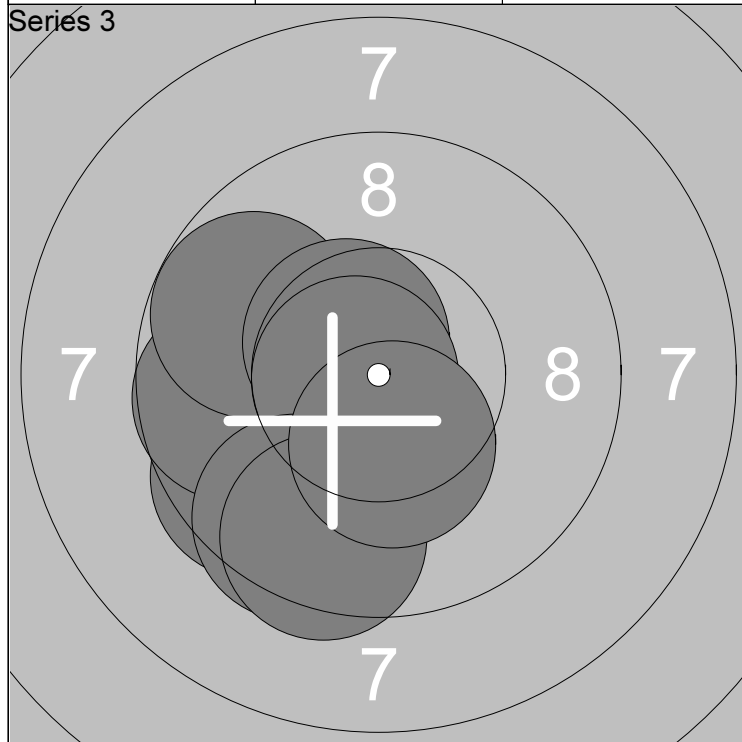
Relay <b>1</b>	Lane <b>20</b>	<b>Anna Raininko</b>
-------------------	-------------------	----------------------

Air	KaA	N18	R
-----	-----	-----	---

09.-10.03.2013	Kevätkilpailu	Kankaanpään Ampumaurheilijat
----------------	---------------	------------------------------



1: 7.1 ←	6: *10.4 ↓	Series 91.0	11: 8.7 ↓	16: 6.9 ↓	Series 81.0
2: 10.0 ↓	7: 9.4 ↓		12: 9.7 ↙	17: 6.0 ←	
3: *10.4 ↙	8: 9.9 ↙	Total 91.0	13: 9.7 ↓	18: 9.9 ↓	Total 172.0
4: 9.1 ←	9: 8.5 ↘		14: 10.1 ↓	19: 8.8 ↙	
5: 10.0 →	10: 9.8 ←		15: 6.6 ↓	20: 10.0 ↙	



21: 9.6 ↙	26: *10.6 ↖	Series 94.0	31: *10.7 ←	36: 9.9 ←	Series 93.0
22: 9.8 ←	27: *10.7 ←		32: 10.1 ↓	37: 10.0 ↓	
23: 9.7 ←	28: 9.5 ↓	Total 266.0	33: 9.5 ←	38: 9.4 ←	Total 359.0
24: *10.3 ↓	29: 9.4 ↓		34: 9.2 ←	39: 9.0 ↖	
25: 9.8 ↖	30: *10.4 ↓		35: *10.4 ↖	40: 8.8 →	