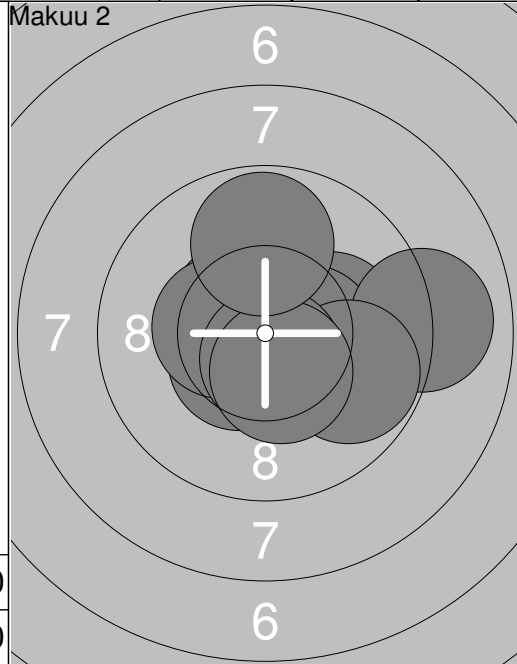
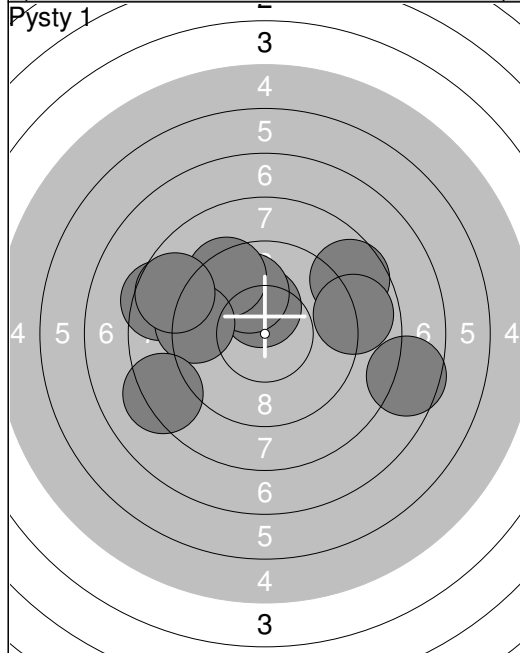


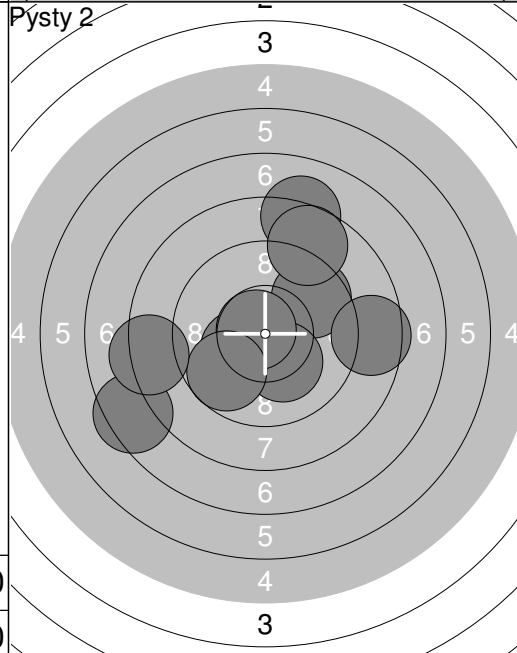
1:	10.1 ↓
2:	*10.7 ↘
3:	*10.2 ↗
4:	10.0 ←
5:	*10.3 ↘
6:	10.0 ↓
7:	9.9 ←
8:	9.8 →
9:	*10.5 ↘
10:	*10.8 ↗
<b>Series</b>	<b>98.0</b>
<b>Total</b>	<b>98.0</b>



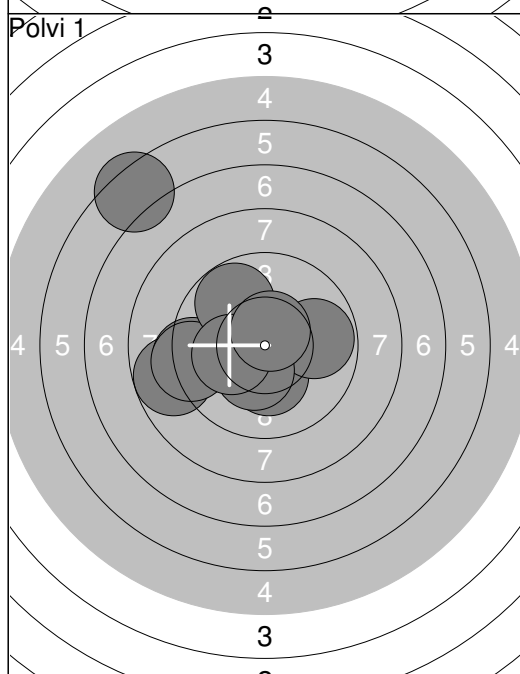
11:	*10.6 ↘
12:	10.1 →
13:	*10.4 →
14:	9.0 →
15:	*10.5 ↘
16:	9.8 →
17:	*10.4 ↘
18:	*10.6 ↓
19:	*10.4 ↓
20:	9.8 ↑
<b>Series</b>	<b>97.0</b>
<b>Total</b>	<b>195.0</b>



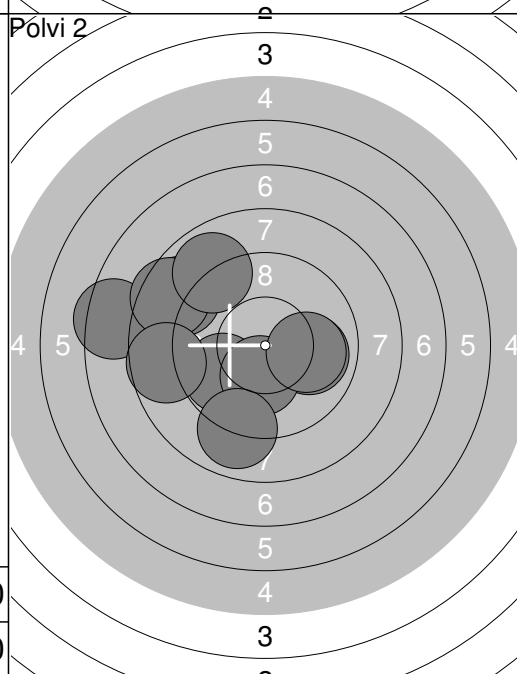
1:	*10.4 ↑
2:	10.0 ↑
3:	9.4 ↗
4:	8.4 ←
5:	7.6 →
6:	8.7 ↗
7:	9.3 ←
8:	8.9 →
9:	8.3 ↘
10:	8.7 ↘
<b>Series</b>	<b>85.0</b>
<b>Total</b>	<b>280.0</b>



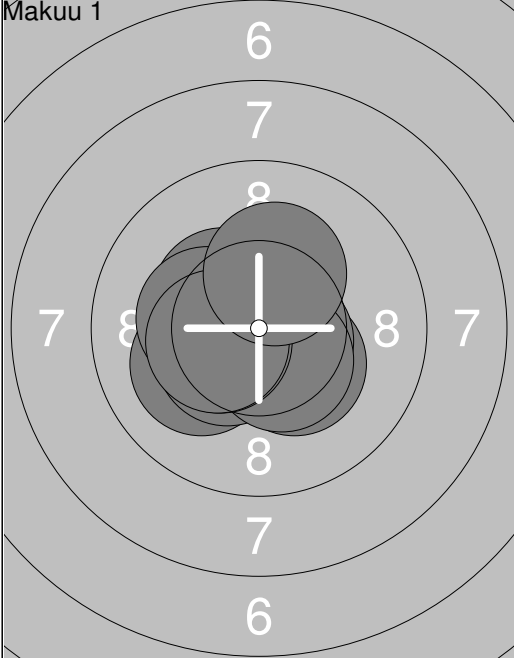
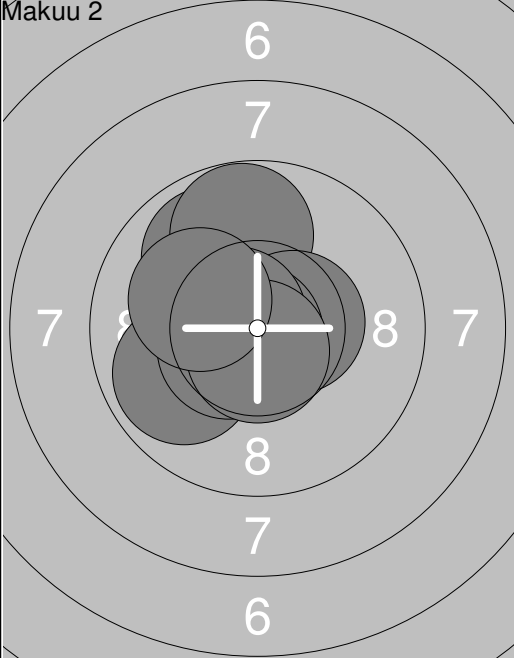
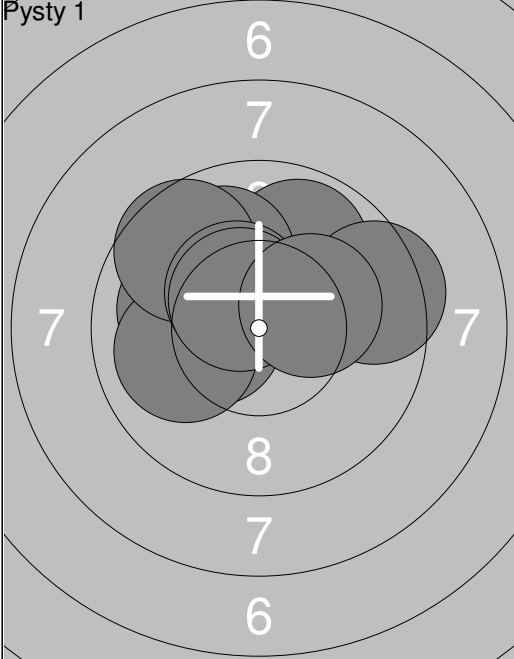
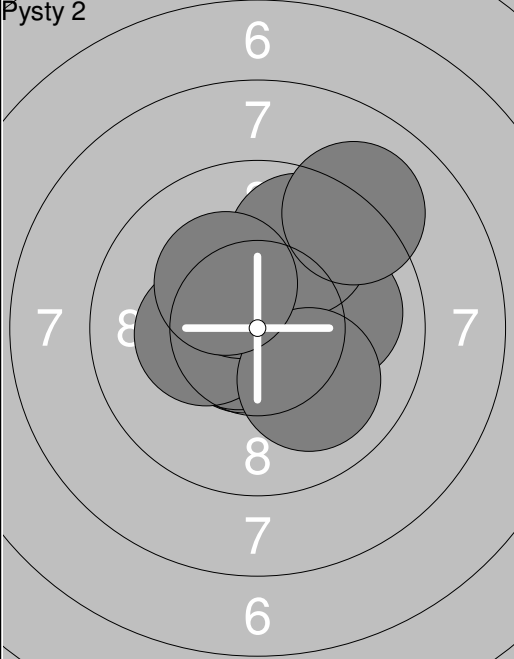
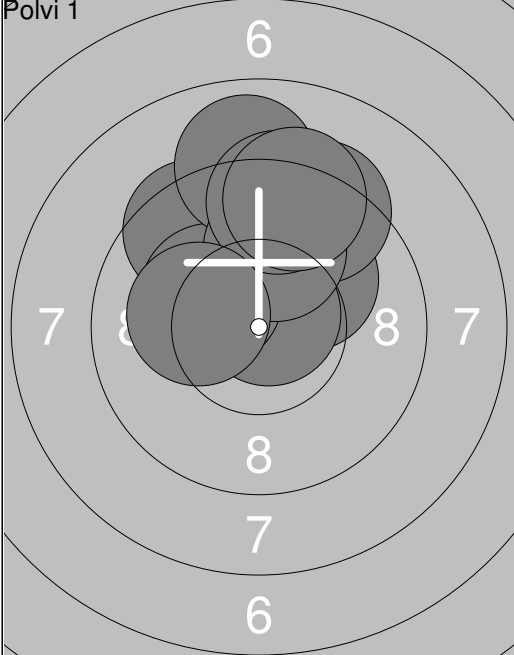
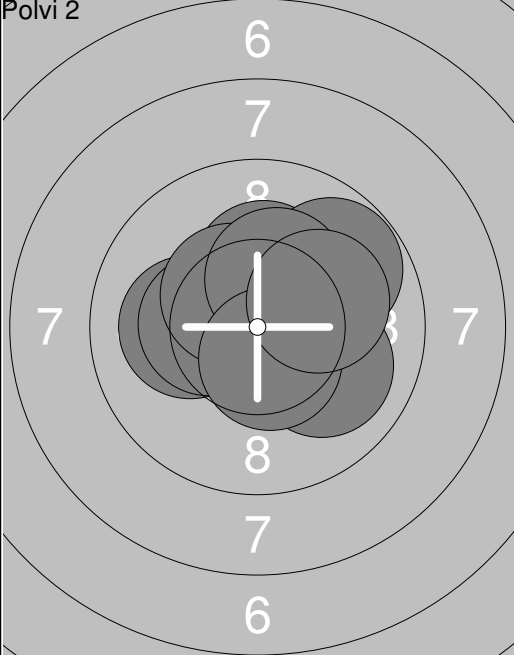
11:	*10.3 ↘
12:	9.6 ↗
13:	*10.2 ↓
14:	*10.7 ↘
15:	7.5 ↘
16:	8.1 ↑
17:	9.7 ↘
18:	8.3 ←
19:	8.7 ↑
20:	8.6 →
<b>Series</b>	<b>87.0</b>
<b>Total</b>	<b>367.0</b>

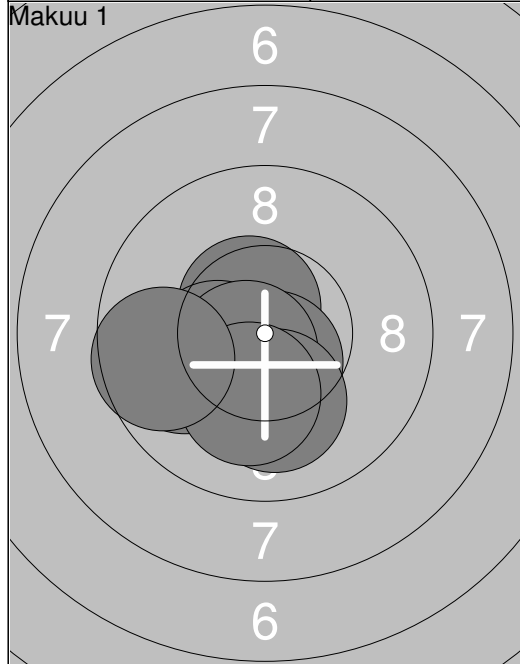


1:	8.8 ←
2:	9.3 ←
3:	*10.2 ↓
4:	9.2 ←
5:	9.8 →
6:	9.8 ↗
7:	6.4 ↗
8:	*10.3 ↓
9:	*10.2 ↘
10:	*10.6 ↑
<b>Series</b>	<b>90.0</b>
<b>Total</b>	<b>457.0</b>

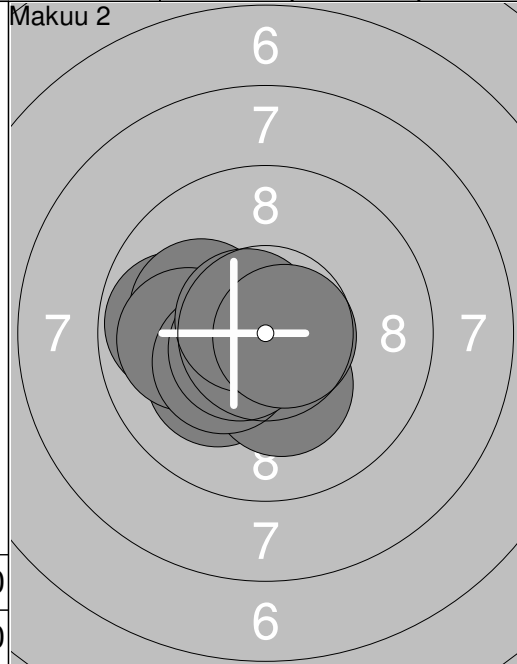


11:	9.9 →
12:	7.5 ←
13:	8.8 ↘
14:	9.8 ↘
15:	8.5 ↘
16:	8.7 ←
17:	*10.2 ↓
18:	8.9 ↗
19:	10.0 →
20:	9.0 ↓
<b>Series</b>	<b>86.0</b>
<b>Total</b>	<b>543.0</b>

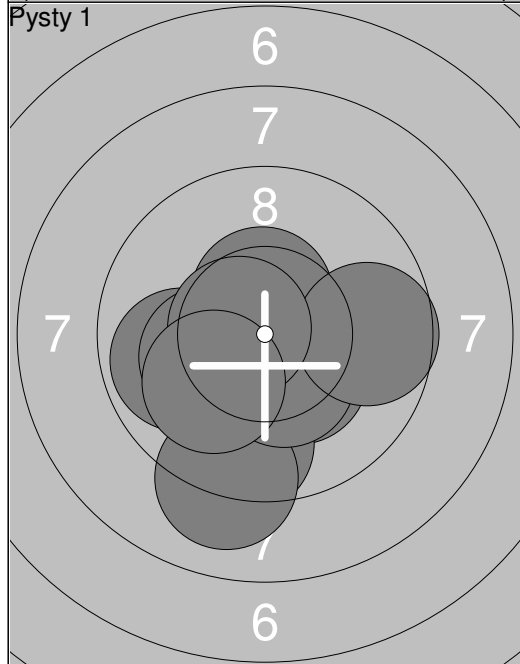
Relay	Lane	Olli Hahl			
4	4	MA	Y		
ilmakivääri		IK 3*20ls asento SM-kilpailut	Kankaanpään Ampumaurheilijat		
23.-24.03.2013					
Makuu 1		1: *10.3 ↘ 2: 10.1 ↙ 3: *10.5 ↘ 4: *10.6 ↘ 5: *10.4 ↘ 6: *10.4 ↙ 7: *10.4 ↘ 8: *10.3 ↙ 9: *10.4 ↙ 10: *10.3 ↗ Series 100.0 Total 100.0	Makuu 2		11: 9.9 ↖ 12: 9.8 ↑ 13: *10.5 → 14: *10.8 ↘ 15: 9.9 ↙ 16: *10.9 ↘ 17: *10.6 ↘ 18: *10.5 ↘ 19: *10.7 ↓ 20: 10.1 ↙ Series 97.0 Total 197.0
Pysty 1		1: 9.9 ↗ 2: *10.3 ↙ 3: 10.1 ↙ 4: 10.0 ↙ 5: 9.4 → 6: 10.0 ↗ 7: 9.6 ↖ 8: *10.4 ↘ 9: *10.5 ↘ 10: *10.2 → Series 97.0 Total 294.0	Pysty 2		11: *10.7 ↘ 12: 10.1 ↗ 13: *10.7 ↘ 14: *10.3 ↙ 15: *10.4 ↗ 16: 10.0 → 17: 9.8 ↗ 18: 9.1 ↗ 19: 10.0 ↓ 20: *10.3 ↘ Series 98.0 Total 392.0
Polvi 1		1: 10.1 ↗ 2: 9.5 ↖ 3: *10.7 ↗ 4: 9.3 ↗ 5: *10.2 ↘ 6: 8.9 ↑ 7: 10.0 ↑ 8: 9.4 ↑ 9: 9.3 ↑ 10: *10.2 ↙ Series 94.0 Total 486.0	Polvi 2		11: *10.3 ↗ 12: *10.2 → 13: 10.1 ↙ 14: 9.8 ↗ 15: 10.0 ↓ 16: *10.3 ↙ 17: *10.4 ↘ 18: *10.3 ↗ 19: *10.5 ↓ 20: 10.1 → Series 99.0 Total 585.0



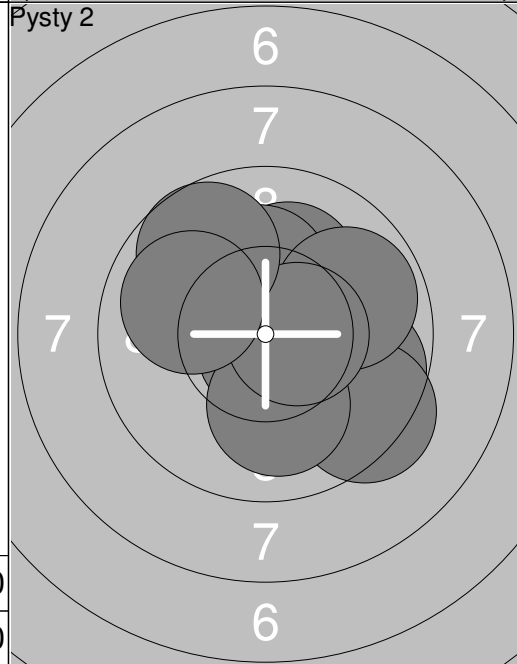
1:	*10.3	↓
2:	*10.6	↘
3:	*10.6	↓
4:	9.9	←
5:	*10.3	↘
6:	*10.2	↓
7:	*10.6	↘
8:	10.1	↓
9:	*10.2	↓
10:	9.6	←
Series		98.0
Total		98.0



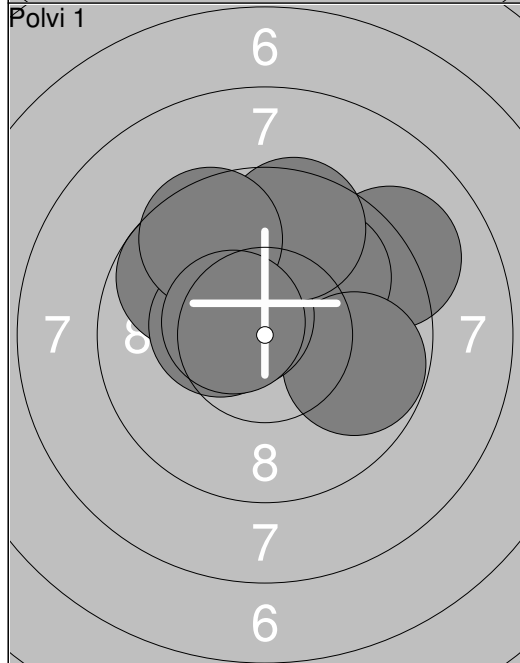
11:	*10.5	↘
12:	*10.2	↘
13:	*10.3	↓
14:	9.8	←
15:	10.1	↘
16:	10.0	←
17:	*10.3	↘
18:	*10.6	↘
19:	*10.7	↘
20:	*10.7	→
Series		99.0
Total		197.0



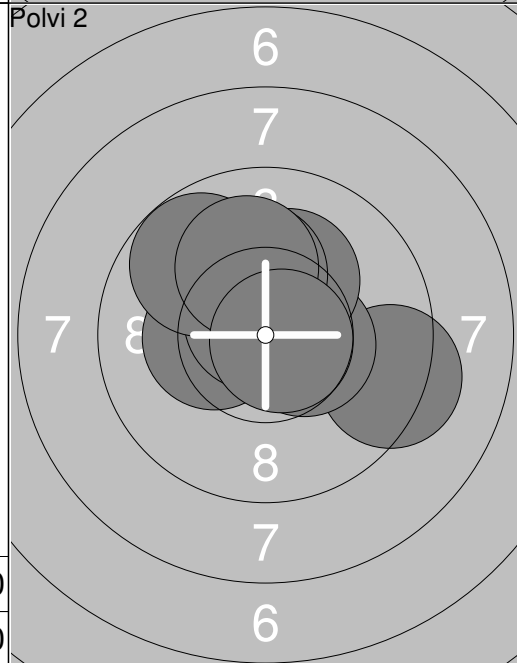
1:	*10.3	↓
2:	9.6	↓
3:	9.9	←
4:	9.1	↓
5:	*10.5	↑
6:	*10.4	↓
7:	*10.2	↘
8:	9.7	→
9:	*10.6	↘
10:	10.1	↘
Series		96.0
Total		293.0



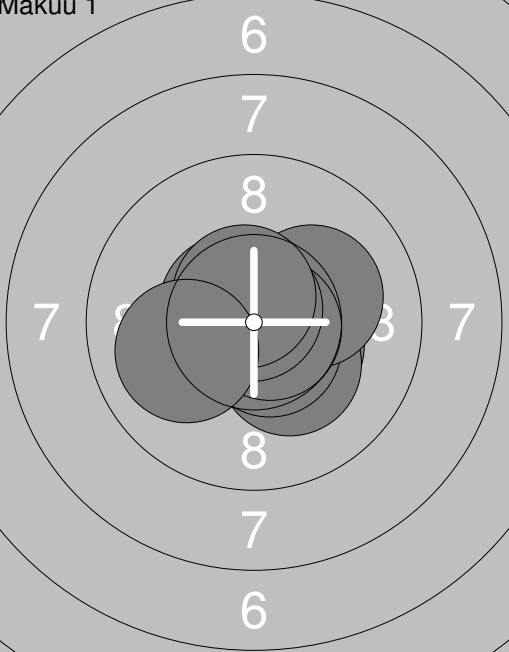
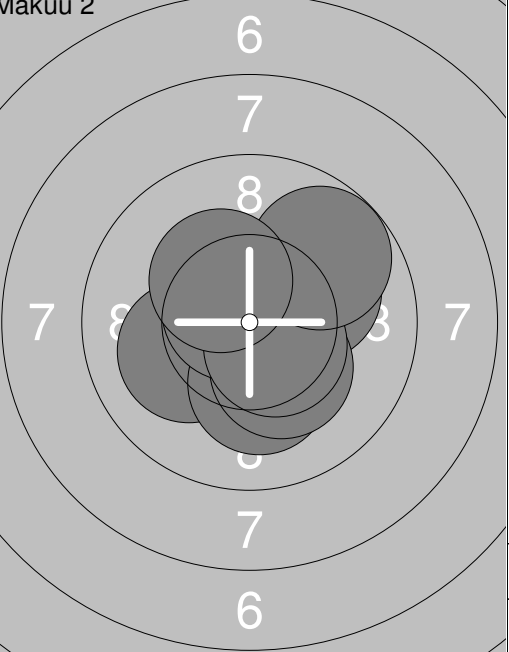
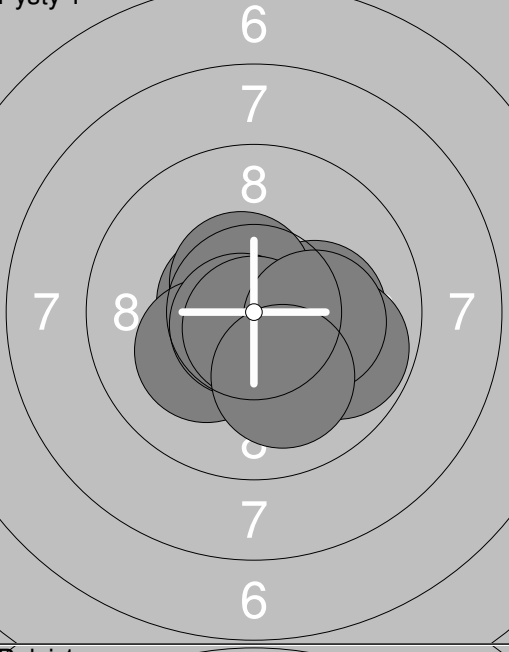
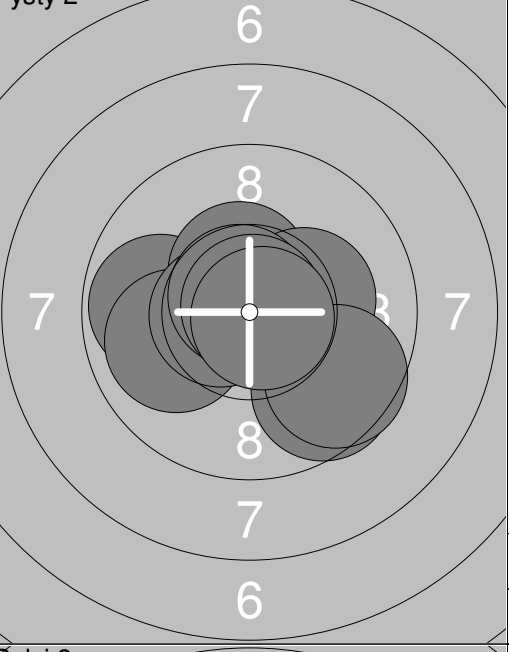
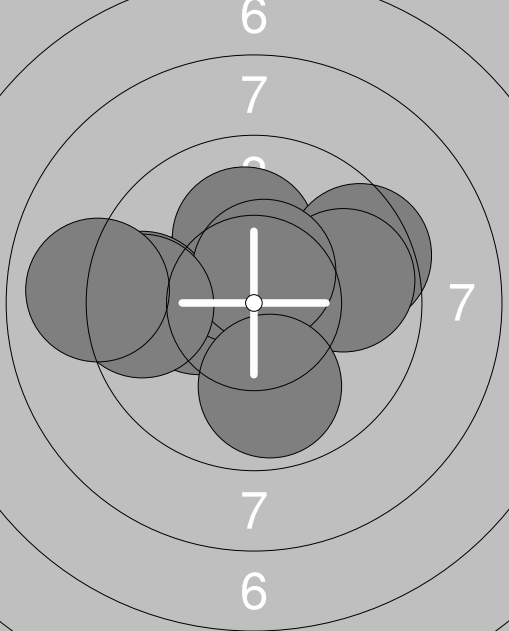
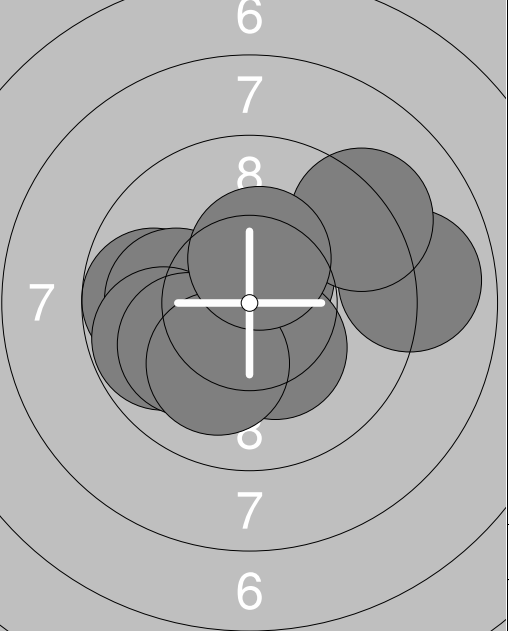
11:	9.8	→
12:	10.1	↑
13:	9.4	↘
14:	*10.8	↓
15:	*10.2	↑
16:	9.9	→
17:	10.1	↓
18:	*10.5	→
19:	9.7	↑
20:	9.9	↘
Series		95.0
Total		388.0

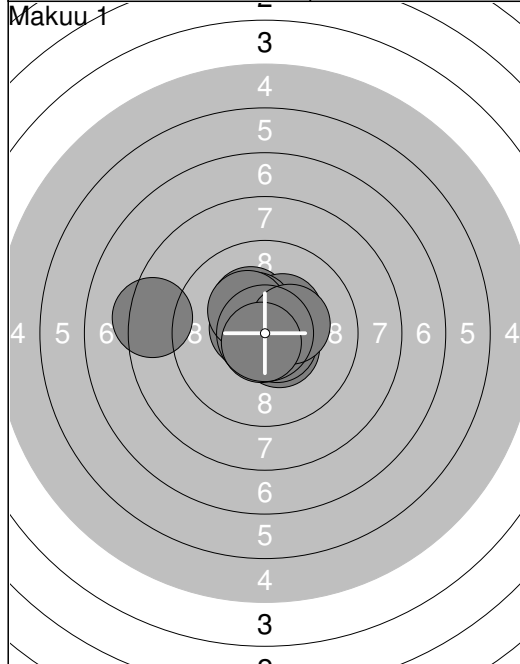


1:	9.8	→
2:	9.1	→
3:	10.0	↗
4:	9.8	↖
5:	9.8	→
6:	*10.4	↖
7:	*10.6	↖
8:	9.6	↑
9:	9.6	↖
10:	*10.5	↖
Series		94.0
Total		482.0

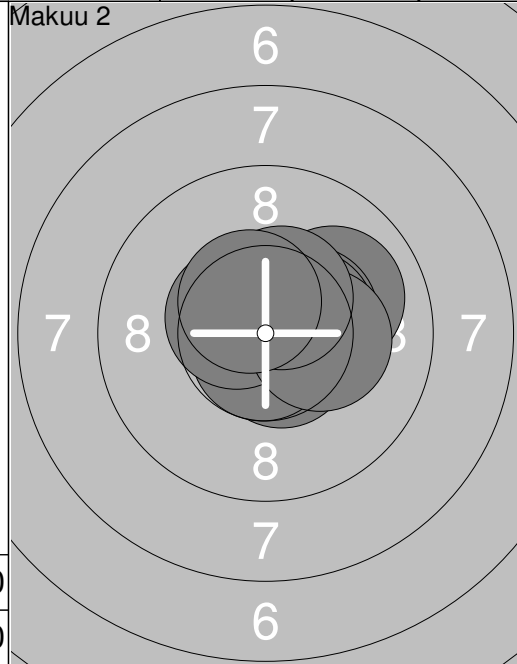


11:	9.3	→
12:	*10.5	→
13:	*10.6	↖
14:	*10.3	↖
15:	*10.2	↑
16:	*10.2	↑
17:	*10.7	↖
18:	9.7	↖
19:	10.1	↑
20:	*10.7	→
Series		98.0
Total		580.0

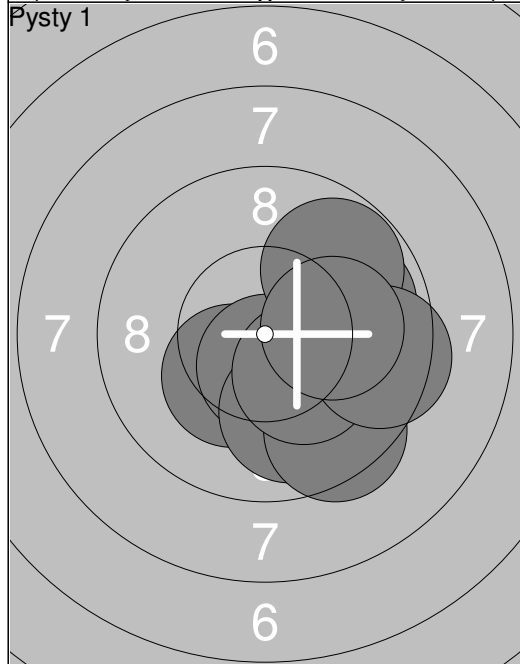
Relay	Lane	Cristian Friman		
4	6	ESF	Y	
ilmakivääri		IK 3*20ls asento SM-kilpailut	Kankaanpään Ampumaurheilijat	
23.-24.03.2013				
Makuu 1		1: *10.7 ↗ 2: *10.4 ↘ 3: *10.3 ↘ 4: *10.6 ↘ 5: *10.2 ↗ 6: *10.6 ↖ 7: *10.7 ↘ 8: *10.8 ↗ 9: *10.6 ↗ 10: 10.0 ↙ Series 100.0 Total 100.0	Makuu 2	 11: 10.1 ↖ 12: *10.2 ↘ 13: *10.6 → 14: 10.1 ↗ 15: *10.3 ↘ 16: *10.7 → 17: *10.7 ↖ 18: *10.5 ↘ 19: 9.8 ↗ 20: *10.3 ↖ Series 99.0 Total 199.0
Pysty 1		1: 10.1 ↘ 2: *10.6 ↖ 3: *10.2 → 4: *10.5 ↖ 5: 9.8 → 6: *10.2 ↘ 7: *10.7 ↘ 8: *10.8 ↘ 9: *10.2 → 10: 10.1 ↘ Series 99.0 Total 298.0	Pysty 2	 11: 9.8 ← 12: *10.5 ↗ 13: 9.9 ← 14: *10.2 → 15: *10.6 ↖ 16: 9.6 ↘ 17: *10.7 ↖ 18: *10.9 ↗ 19: 9.6 ↘ 20: *10.8 → Series 96.0 Total 394.0
Polvi 1		1: *10.3 ← 2: *10.5 ↖ 3: *10.2 ↗ 4: 9.5 → 5: 9.8 → 6: 9.5 ← 7: *10.5 ↗ 8: 9.9 ↘ 9: 9.5 ← 10: 9.0 ← Series 94.0 Total 488.0	Polvi 2	 11: 9.8 ← 12: 8.9 → 13: 10.0 ← 14: *10.6 ↗ 15: 9.8 ← 16: 10.0 ↘ 17: 9.2 ↗ 18: *10.3 ↘ 19: 10.1 ↘ 20: *10.4 ↗ Series 95.0 Total 583.0



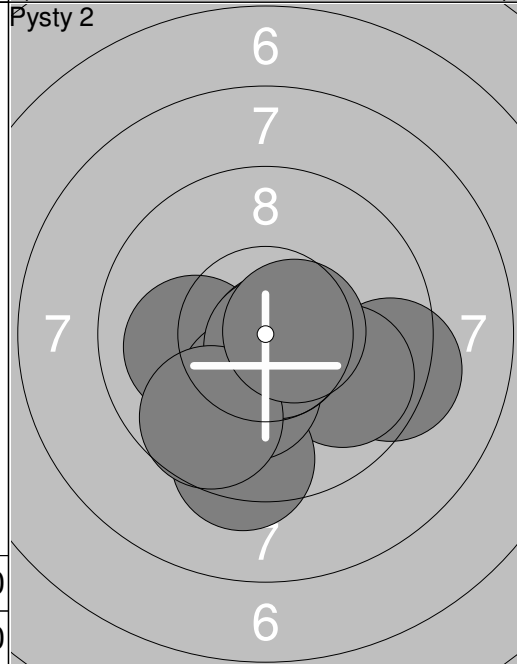
1: *10.3 ↘
2: *10.6 ↘
3: *10.5 ↘
4: *10.4 ↗
5: 8.4 ←
6: *10.4 ↗
7: *10.3 ↘
8: *10.6 ↘
9: *10.4 →
10: *10.7 ↘
<b>Series 98.0</b>
<b>Total 98.0</b>



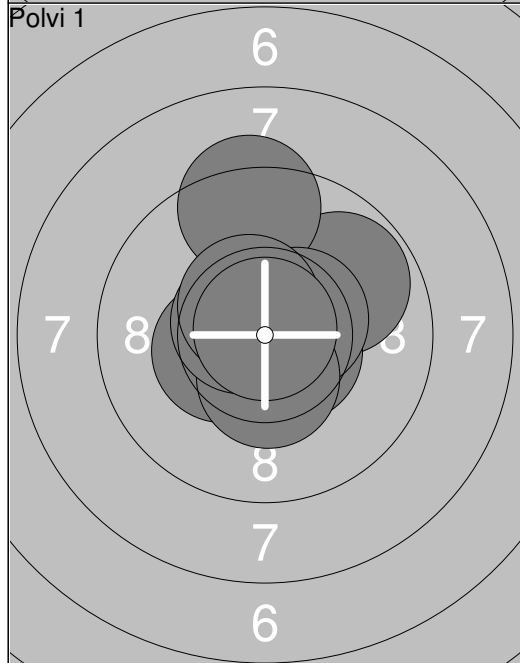
11: 10.0 →
12: *10.4 →
13: *10.8 ↘
14: *10.6 ↘
15: *10.7 ↘
16: *10.5 →
17: *10.5 ↘
18: *10.2 →
19: *10.5 ↗
20: *10.5 ↘
<b>Series 100.0</b>
<b>Total 198.0</b>



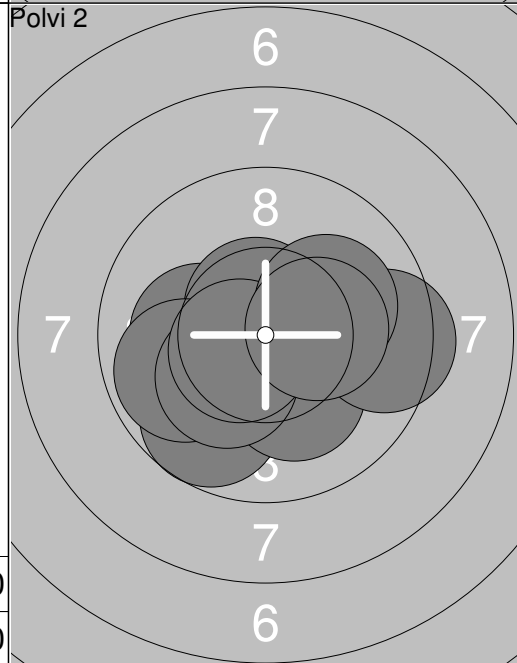
1: *10.3 ↘
2: *10.3 ↘
3: *10.6 ↘
4: 9.9 ↘
5: 9.5 ↘
6: *10.3 ↘
7: 9.9 →
8: 9.8 ↗
9: 9.5 →
10: 10.1 →
<b>Series 95.0</b>
<b>Total 293.0</b>



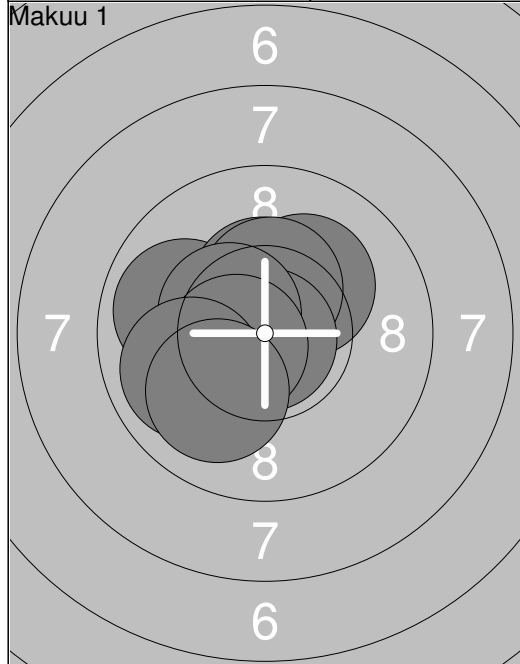
11: 10.0 ←
12: *10.5 ↘
13: 9.3 →
14: 9.9 →
15: *10.7 ↘
16: 9.4 ↘
17: *10.2 ↘
18: *10.8 ↘
19: 9.7 ↘
20: *10.6 →
<b>Series 96.0</b>
<b>Total 389.0</b>



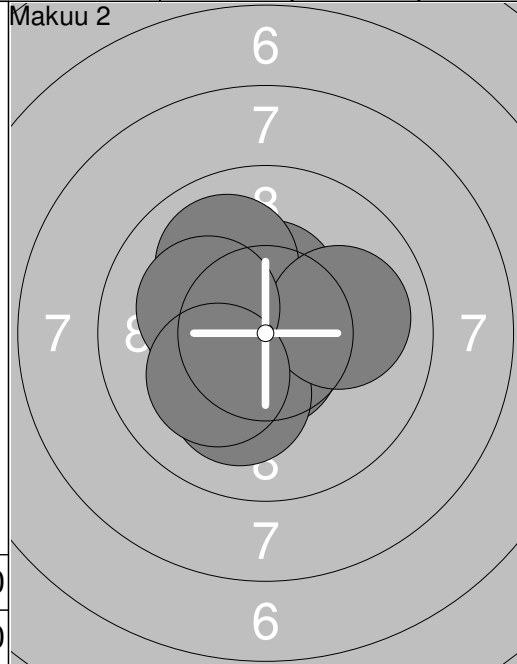
1: *10.4 ↘
2: *10.4 ↗
3: 9.8 ↗
4: *10.6 ↘
5: 9.3 ↑
6: *10.5 →
7: *10.4 ↘
8: *10.6 ↘
9: *10.5 ↘
10: *10.9 ↑
<b>Series 98.0</b>
<b>Total 487.0</b>



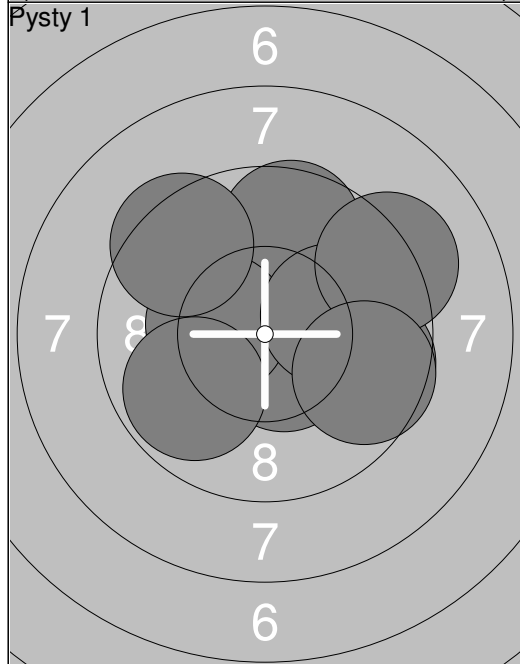
11: 10.1 ←
12: 9.7 ↘
13: *10.6 ↗
14: *10.2 ↘
15: 9.5 →
16: 9.9 ←
17: *10.3 ↘
18: *10.6 ↘
19: 10.1 →
20: *10.3 →
<b>Series 97.0</b>
<b>Total 584.0</b>



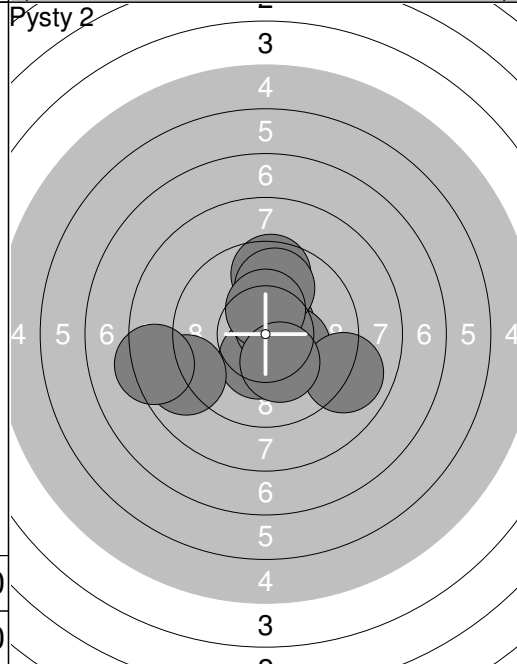
1:	*10.2 ↗
2:	*10.6 ←
3:	9.9 ←
4:	*10.4 ↑
5:	*10.4 ↑
6:	*10.9 ↓
7:	*10.5 ↘
8:	*10.6 ↘
9:	9.9 ←
10:	10.0 ↘
<b>Series 98.0</b>	
<b>Total 98.0</b>	



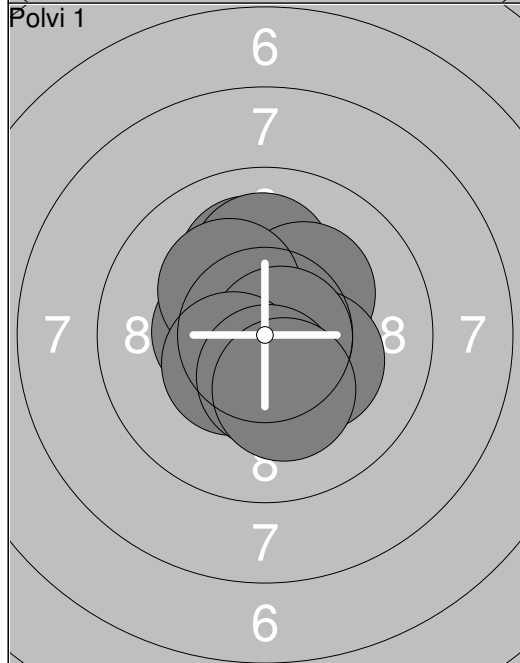
11:	*10.7 ↓
12:	*10.5 ←
13:	*10.4 ↑
14:	*10.4 ↘
15:	10.0 ↗
16:	*10.3 ←
17:	10.1 ↓
18:	10.0 →
19:	10.1 ←
20:	*10.2 ↘
<b>Series 100.0</b>	
<b>Total 198.0</b>	



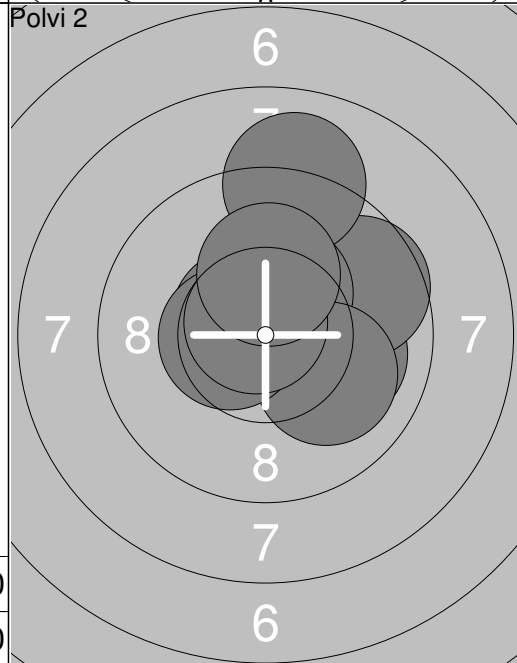
1:	*10.5 ↓
2:	*10.2 ↑
3:	9.7 →
4:	9.6 ↑
5:	*10.3 ←
6:	10.1 →
7:	9.8 ←
8:	9.2 →
9:	9.4 ↗
10:	9.6 →
<b>Series 94.0</b>	
<b>Total 292.0</b>	



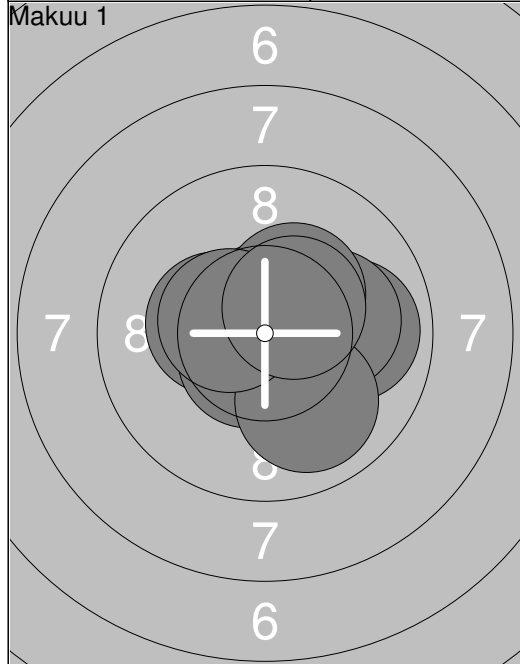
11:	*10.4 ↓
12:	*10.6 ↗
13:	*10.3 →
14:	9.0 ←
15:	9.6 ↑
16:	9.0 →
17:	9.9 ↑
18:	*10.4 ↑
19:	*10.2 ↓
20:	8.4 ←
<b>Series 94.0</b>	
<b>Total 386.0</b>	



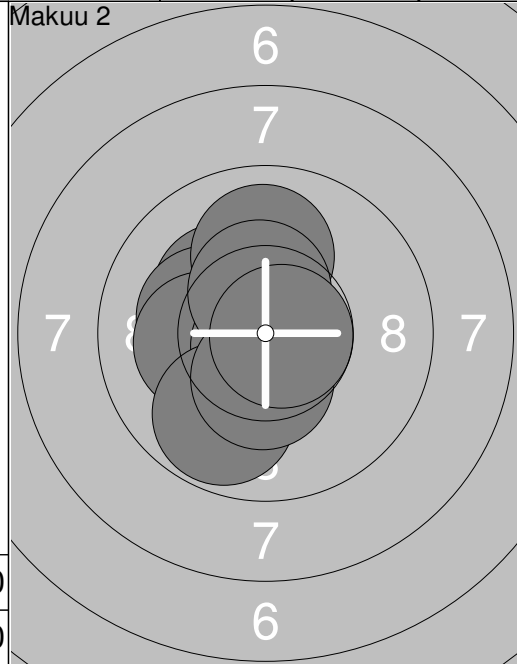
1:	10.1 ↑
2:	*10.4 ←
3:	10.1 ↑
4:	*10.2 ↗
5:	*10.3 →
6:	*10.2 ↘
7:	*10.8 →
8:	*10.4 ↘
9:	*10.4 ↓
10:	*10.2 ↓
<b>Series 100.0</b>	
<b>Total 486.0</b>	



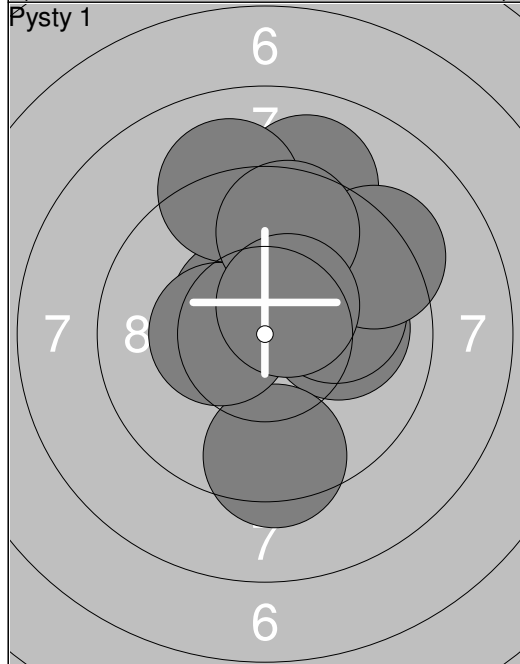
11:	10.0 →
12:	9.7 →
13:	*10.8 ↘
14:	*10.6 ↘
15:	9.1 ↑
16:	*10.4 ↑
17:	10.1 →
18:	*10.5 ←
19:	*10.8 ↘
20:	*10.2 ↑
<b>Series 98.0</b>	
<b>Total 584.0</b>	



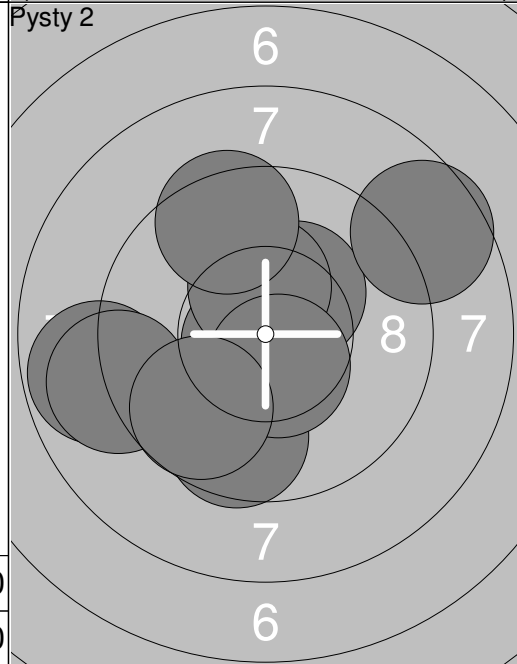
1:	*10.3 ↖
2:	9.9 →
3:	*10.7 ↑
4:	*10.6 →
5:	*10.6 ↘
6:	10.1 →
7:	*10.4 ↗
8:	10.0 ↘
9:	*10.5 ↖
10:	*10.5 ↗
<b>Series 99.0</b>	
<b>Total 99.0</b>	



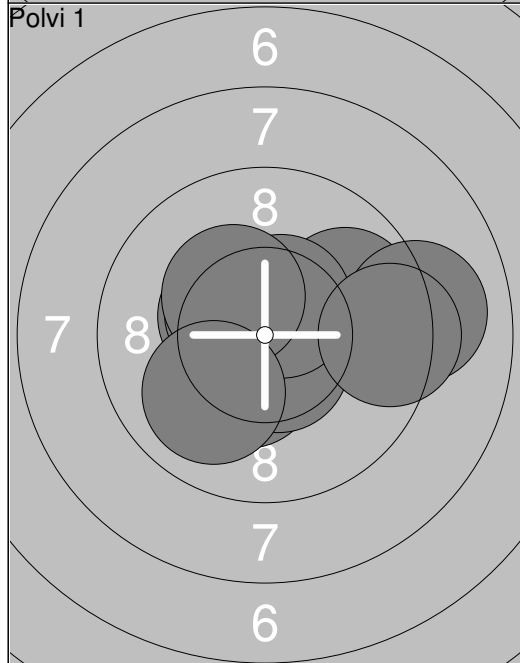
11:	*10.5 ↖
12:	*10.2 ↖
13:	*10.2 ↖
14:	*10.2 ↖
15:	*10.8 ↘
16:	10.0 ↑
17:	*10.4 ↑
18:	9.8 ↘
19:	*10.4 ↘
20:	*10.7 →
<b>Series 99.0</b>	
<b>Total 198.0</b>	



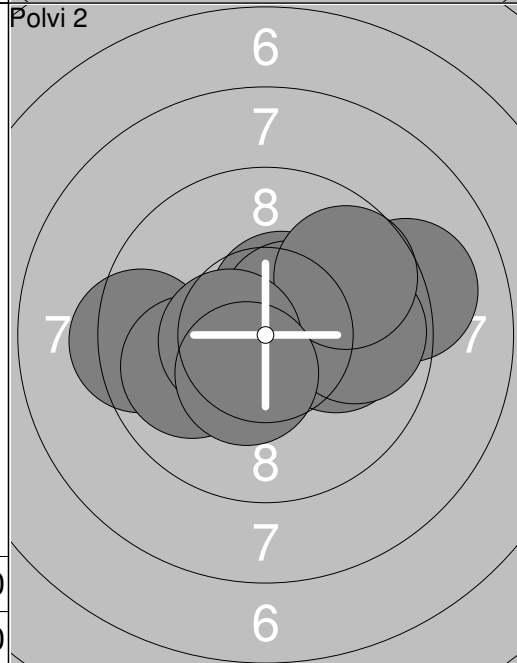
1:	10.0 →
2:	9.0 ↑
3:	9.4 ↘
4:	10.0 →
5:	*10.5 ↖
6:	9.3 ↗
7:	*10.4 ←
8:	9.1 ↑
9:	9.6 ↑
10:	*10.5 ↗
<b>Series 95.0</b>	
<b>Total 293.0</b>	



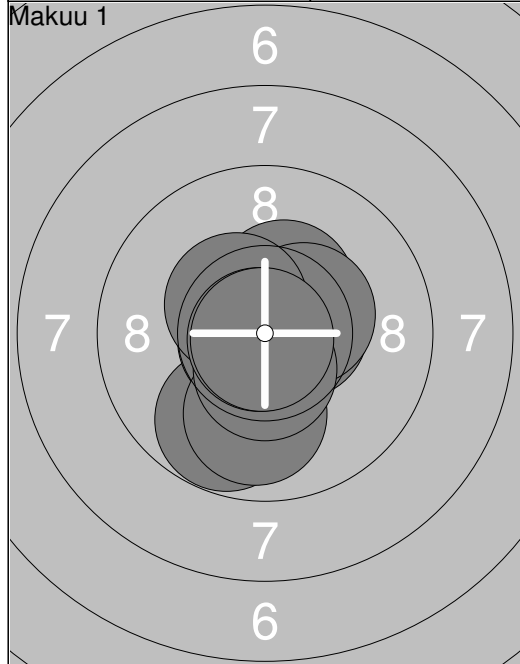
11:	*10.8 ↖
12:	9.6 ↘
13:	8.8 ←
14:	*10.3 ↗
15:	*10.4 ↑
16:	*10.5 ↘
17:	9.0 ←
18:	9.7 ↘
19:	9.5 ↑
20:	8.6 ↗
<b>Series 92.0</b>	
<b>Total 385.0</b>	



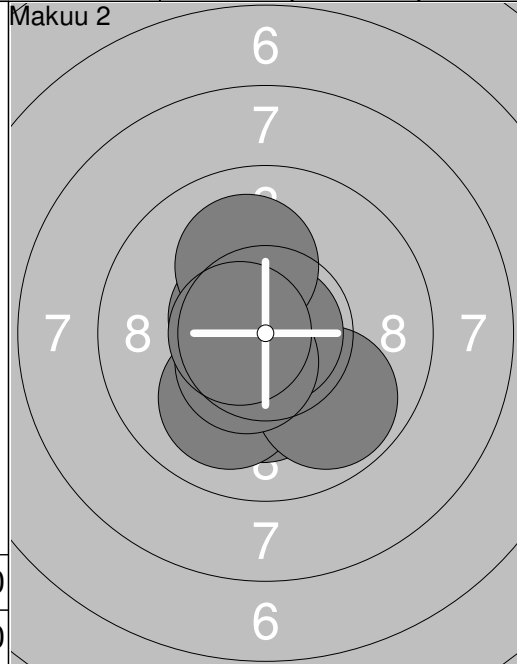
1:	9.9 →
2:	*10.4 ↘
3:	*10.4 ↖
4:	9.0 →
5:	*10.6 ↘
6:	*10.5 ↖
7:	*10.5 ↗
8:	9.4 →
9:	*10.3 ↖
10:	10.0 ↘
<b>Series 97.0</b>	
<b>Total 482.0</b>	



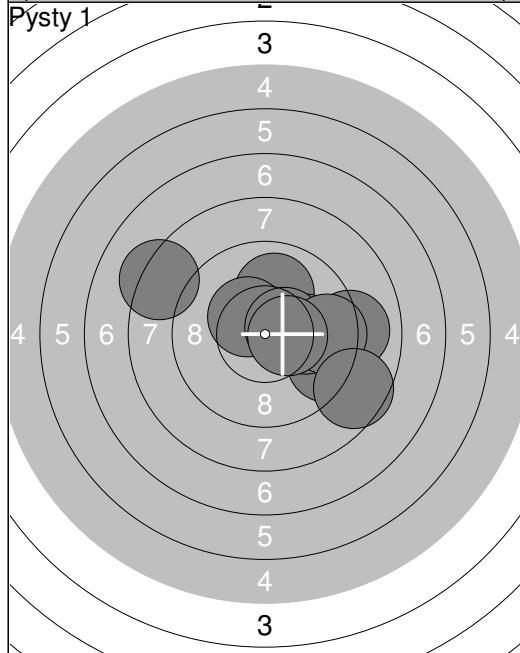
11:	10.1 →
12:	9.4 ←
13:	*10.5 ↗
14:	*10.5 ↗
15:	9.1 →
16:	9.8 →
17:	9.7 ↗
18:	9.9 ←
19:	*10.5 ↖
20:	*10.4 ↘
<b>Series 95.0</b>	
<b>Total 577.0</b>	



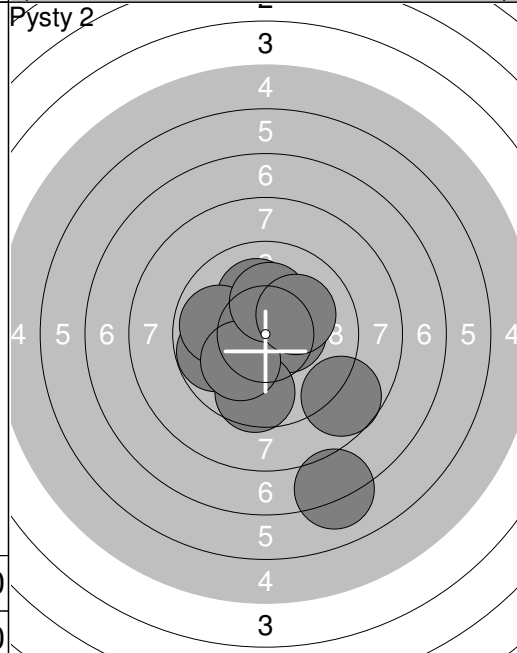
1:	*10.4 ↗
2:	*10.5 →
3:	9.8 ↓
4:	*10.7 ↘
5:	*10.4 →
6:	10.0 ↓
7:	*10.4 ↘
8:	*10.5 ↓
9:	*10.9 ↘
10:	*10.9 ↘
<b>Series</b>	<b>99.0</b>
<b>Total</b>	<b>99.0</b>



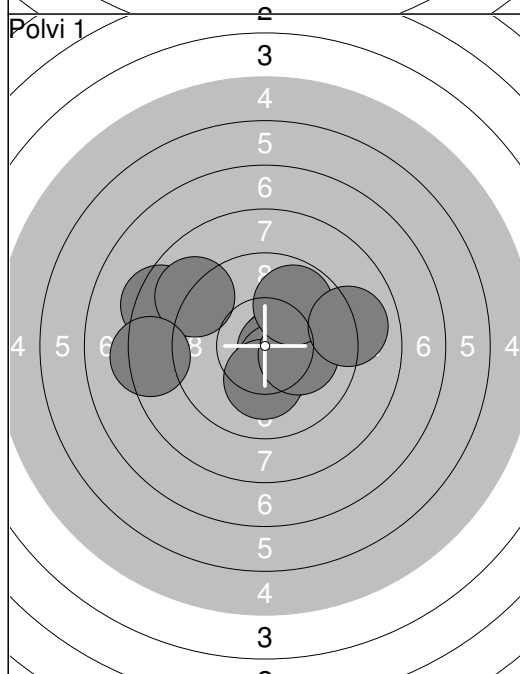
11:	*10.8 ↘
12:	*10.2 ↓
13:	*10.6 ↘
14:	10.0 ↓
15:	9.8 ↓
16:	*10.8 ↘
17:	*10.9 →
18:	*10.5 ↘
19:	10.1 ↗
20:	*10.6 ↘
<b>Series</b>	<b>99.0</b>
<b>Total</b>	<b>198.0</b>



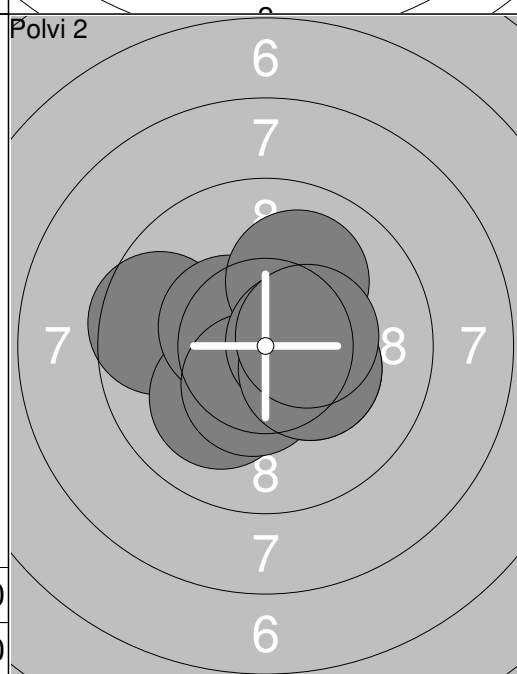
1:	9.4 →
2:	9.0 →
3:	10.0 ↗
4:	8.2 ↖
5:	10.0 →
6:	*10.4 ↘
7:	*10.5 →
8:	9.6 →
9:	8.6 ↘
10:	*10.4 →
<b>Series</b>	<b>93.0</b>
<b>Total</b>	<b>291.0</b>



11:	8.7 ↘
12:	10.1 ↗
13:	*10.5 →
14:	9.7 ←
15:	9.6 ↓
16:	9.9 ←
17:	7.1 ↓
18:	10.1 ↘
19:	*10.2 ↗
20:	10.1 ↗
<b>Series</b>	<b>92.0</b>
<b>Total</b>	<b>383.0</b>

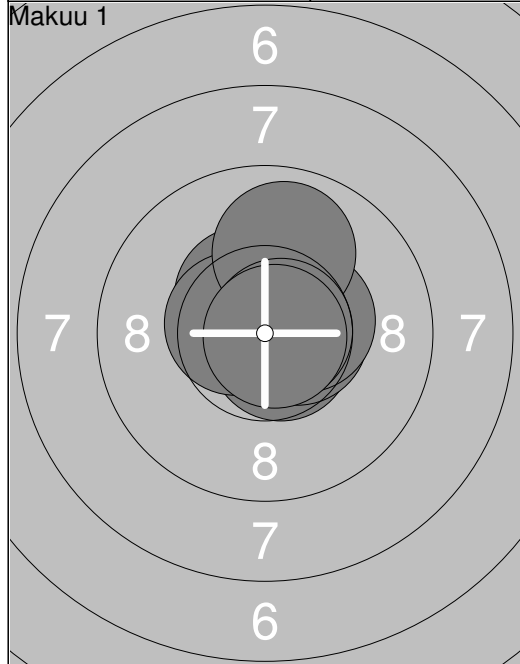


1:	8.4 ←
2:	9.0 ↖
3:	*10.6 →
4:	*10.7 →
5:	*10.5 ↓
6:	*10.2 ↓
7:	8.3 ←
8:	*10.2 →
9:	9.8 ↗
10:	9.0 →
<b>Series</b>	<b>93.0</b>
<b>Total</b>	<b>476.0</b>

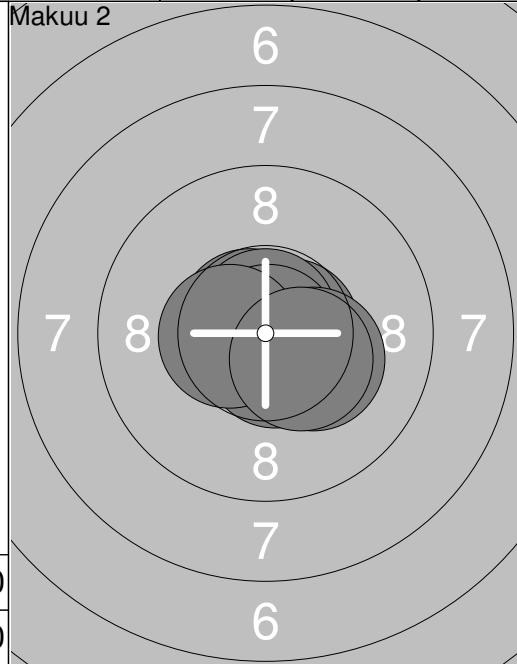


11:	9.6 ←
12:	*10.6 →
13:	10.1 ↘
14:	*10.3 →
15:	*10.4 ↘
16:	*10.4 ↘
17:	10.1 ↗
18:	*10.6 →
19:	*10.3 →
20:	*10.4 →
<b>Series</b>	<b>99.0</b>
<b>Total</b>	<b>575.0</b>

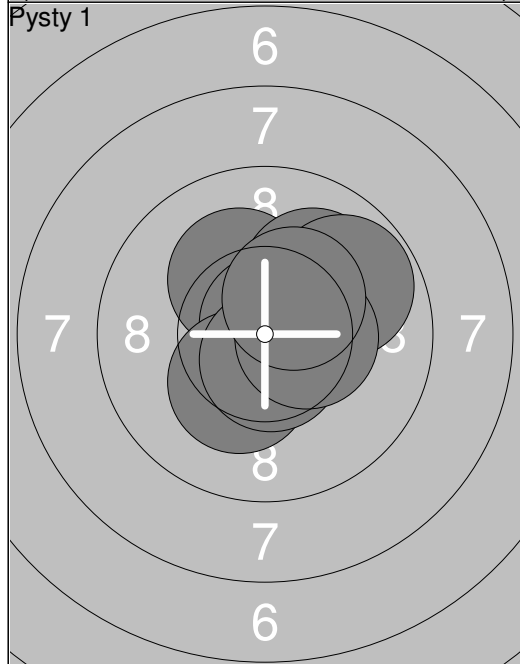




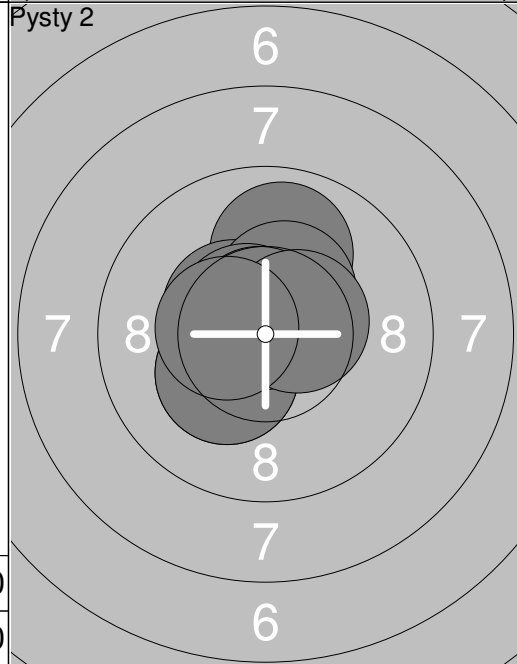
1:	*10.7 ↘
2:	*10.8 ↘
3:	*10.5 ↘
4:	*10.6 ↗
5:	*10.5 →
6:	*10.6 ↖
7:	*10.5 →
8:	9.9 ↑
9:	*10.7 →
10:	*10.8 →
Series	99.0
Total	99.0



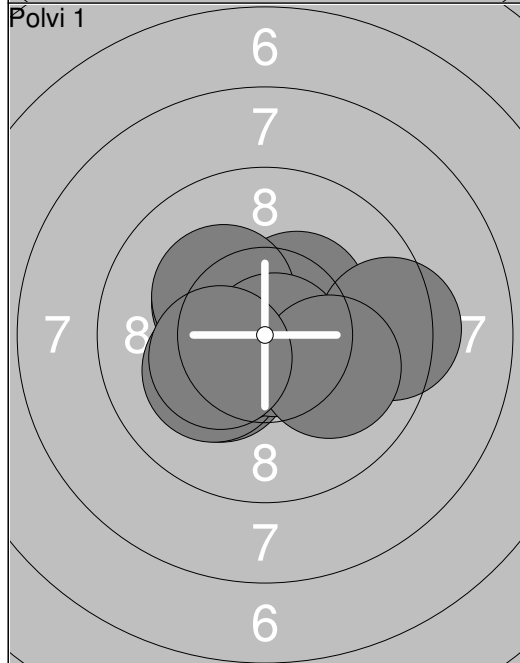
11:	*10.8 ↖
12:	*10.7 ↖
13:	*10.8 ↘
14:	*10.7 →
15:	*10.8 ↑
16:	*10.6 ↘
17:	*10.9 ↘
18:	*10.3 →
19:	*10.5 ↖
20:	*10.4 ↘
Series	100.0
Total	199.0



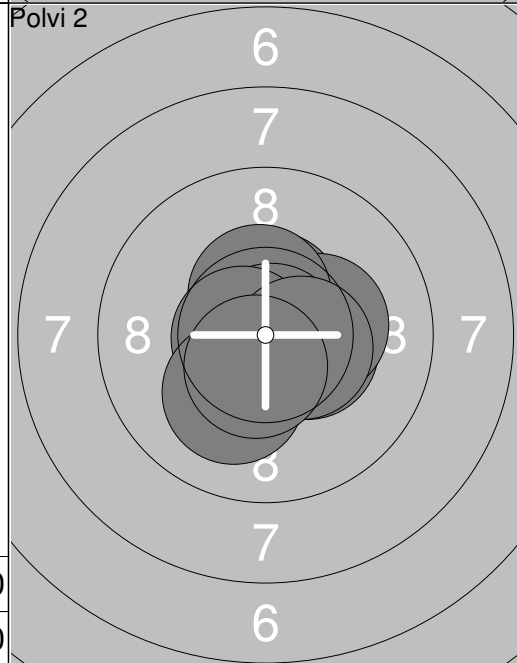
1:	*10.4 ↗
2:	*10.3 →
3:	*10.2 ↘
4:	*10.8 ↗
5:	*10.3 ↘
6:	*10.6 ↘
7:	10.0 ↗
8:	9.8 ↗
9:	*10.4 →
10:	*10.4 ↗
Series	99.0
Total	298.0



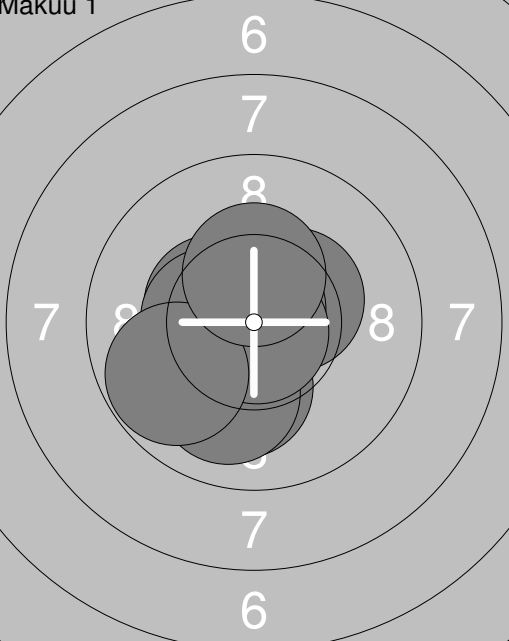
11:	*10.3 ↘
12:	*10.3 ↘
13:	9.9 ↑
14:	*10.6 ↗
15:	*10.4 ↖
16:	*10.4 ↗
17:	*10.6 ↖
18:	*10.7 ↗
19:	*10.5 →
20:	*10.5 ↖
Series	99.0
Total	397.0



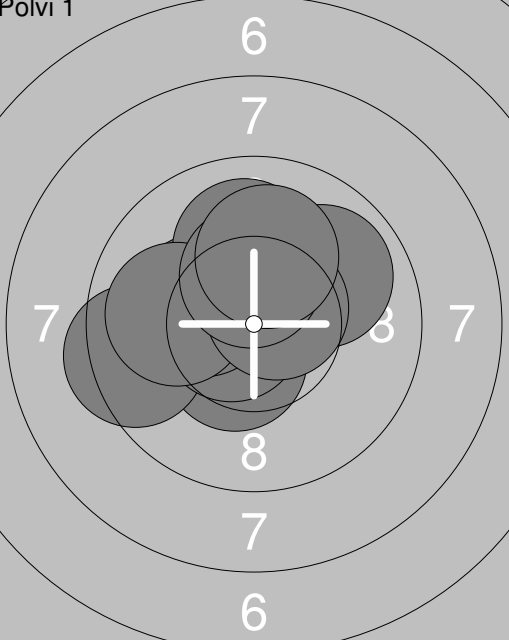
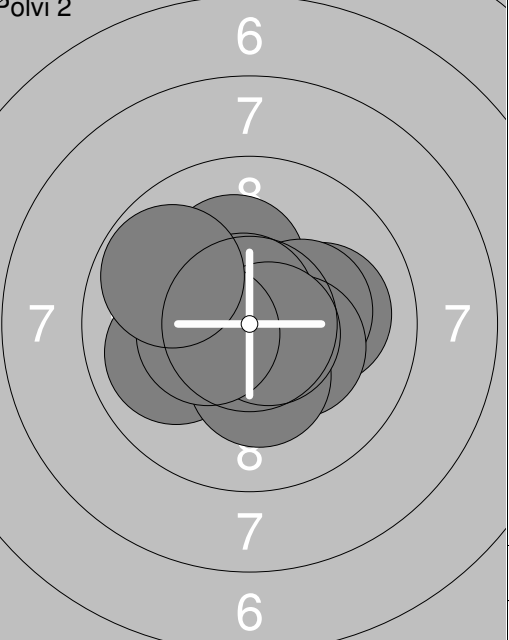
1:	*10.2 ↘
2:	*10.4 ↗
3:	*10.3 ↖
4:	9.4 →
5:	*10.2 ↘
6:	*10.5 ↘
7:	*10.3 ↖
8:	*10.8 ↘
9:	10.1 →
10:	*10.3 ↘
Series	99.0
Total	496.0

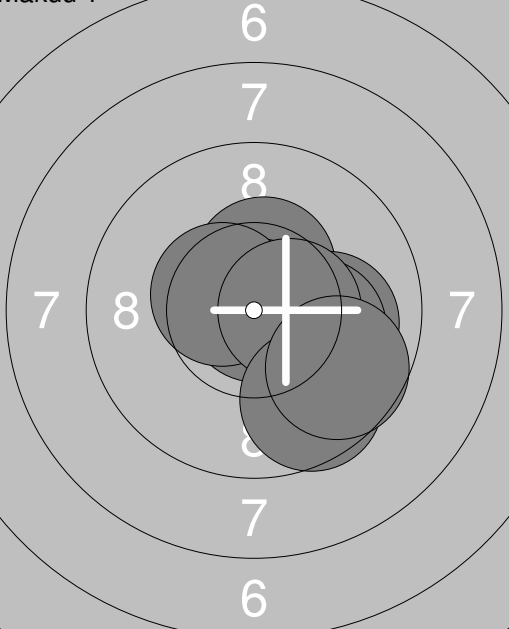
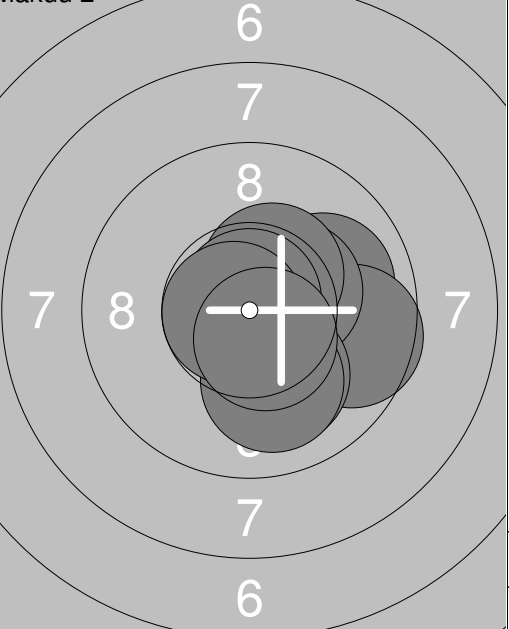


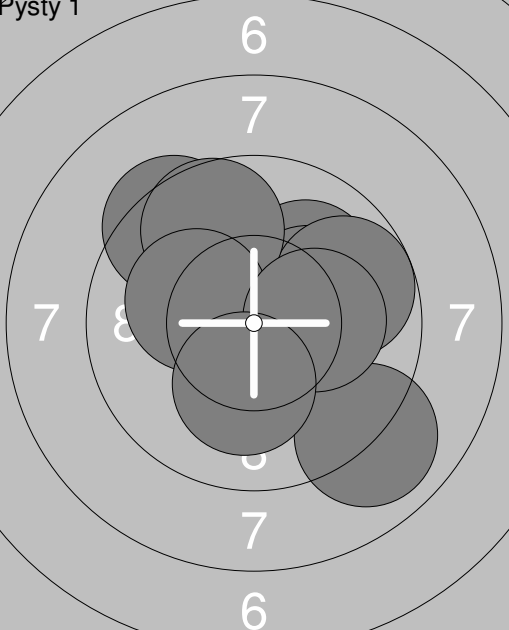
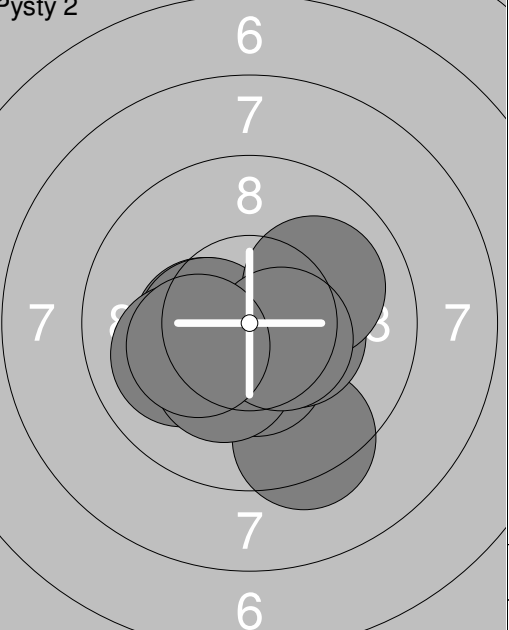
11:	*10.6 ↗
12:	*10.4 →
13:	*10.4 →
14:	*10.3 →
15:	*10.5 ↗
16:	*10.9 →
17:	*10.7 ↖
18:	10.1 ↘
19:	*10.5 →
20:	*10.5 ↘
Series	100.0
Total	596.0

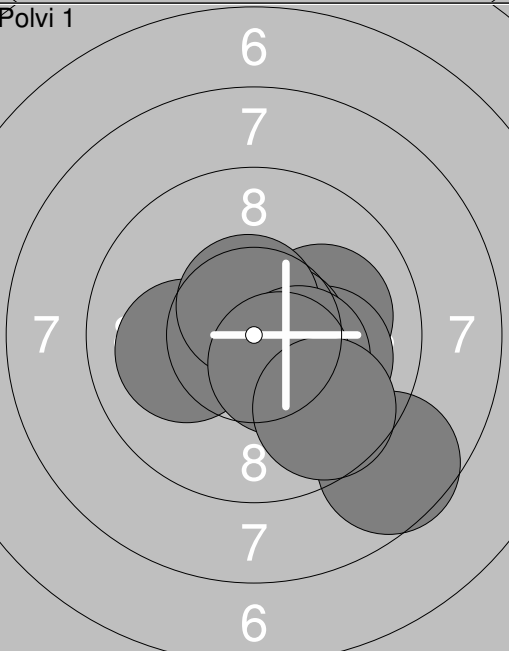
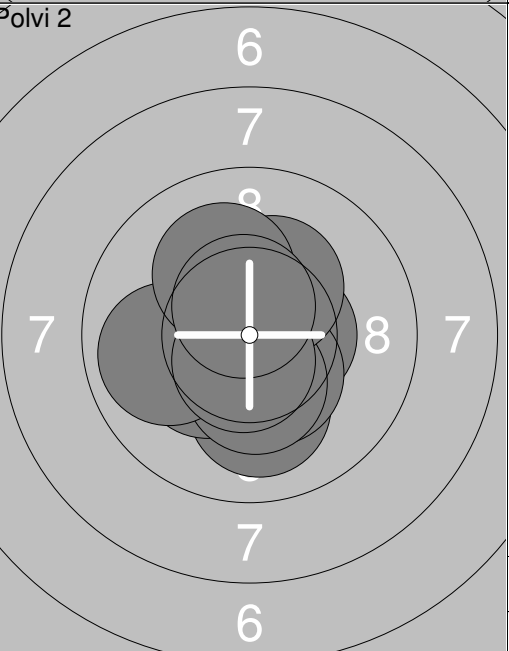
<p>Makuu 1</p> 	<p>1: 10.1 ↓ 2: *10.4 ↗ 3: *10.6 ↘ 4: 10.0 ↓ 5: *10.4 ↖ 6: *10.8 ↑ 7: *10.4 ← 8: *10.8 ↓ 9: 9.8 ↙ 10: *10.3 ↑</p> <p>Series 99.0 Total 99.0</p>	<p>Makuu 2</p> 	<p>11: 10.1 ↓ 12: *10.6 ↘ 13: 9.7 ↓ 14: *10.5 ↖ 15: *10.7 ↑ 16: *10.8 ↘ 17: *10.5 ↘ 18: *10.4 ↑ 19: *10.5 ↖ 20: *10.2 ↖</p> <p>Series 99.0 Total 198.0</p>
---	---	---	--

<p>Pysty 1</p> 	<p>1: *10.9 ↘ 2: 10.0 ↗ 3: *10.3 ↘ 4: 9.1 ↖ 5: *10.3 ↘ 6: *10.8 ↗ 7: 9.6 ↖ 8: 10.0 ← 9: *10.8 ↗ 10: 10.0 ←</p> <p>Series 98.0 Total 296.0</p>	<p>Pysty 2</p> 	<p>11: *10.4 ↖ 12: *10.3 ↘ 13: *10.2 ↖ 14: 9.9 ← 15: 10.1 ↖ 16: 9.4 ↘ 17: *10.4 ↗ 18: *10.3 ↓ 19: *10.5 ↓ 20: *10.3 ↘</p> <p>Series 98.0 Total 394.0</p>
--	---	--	--

<p>Polvi 1</p> 	<p>1: *10.4 ↘ 2: 9.4 ← 3: *10.7 ↖ 4: *10.3 ↖ 5: 10.0 ↑ 6: 9.9 ↗ 7: 10.0 ← 8: *10.6 ↗ 9: *10.4 ↑ 10: 10.1 ↑</p> <p>Series 98.0 Total 492.0</p>	<p>Polvi 2</p> 	<p>11: 10.1 → 12: *10.2 ↑ 13: *10.3 → 14: *10.3 → 15: 10.0 ← 16: *10.3 ↓ 17: *10.7 ↑ 18: *10.7 → 19: *10.4 ← 20: 9.8 ↖</p> <p>Series 99.0 Total 591.0</p>
---	---	---	---

<p>Makuu 1</p> 	<p>1: *10.4↑</p> <p>2: 10.0→</p> <p>3: *10.9→</p> <p>4: 10.1→</p> <p>5: 10.1→</p> <p>6: *10.5↖</p> <p>7: *10.2→</p> <p>8: *10.5→</p> <p>9: 9.6 ↓</p> <p>10: 9.7 ↓</p> <hr/> <p>Series 98.0</p> <p>Total 98.0</p>	<p>Makuu 2</p> 	<p>11: *10.4→</p> <p>12: 10.0→</p> <p>13: 9.6 →</p> <p>14: *10.4→</p> <p>15: *10.4↑</p> <p>16: 10.1 ↓</p> <p>17: *10.8↑</p> <p>18: 10.0 ↓</p> <p>19: *10.7↖</p> <p>20: *10.5↘</p> <hr/> <p>Series 99.0</p> <p>Total 197.0</p>
---	--	---	---

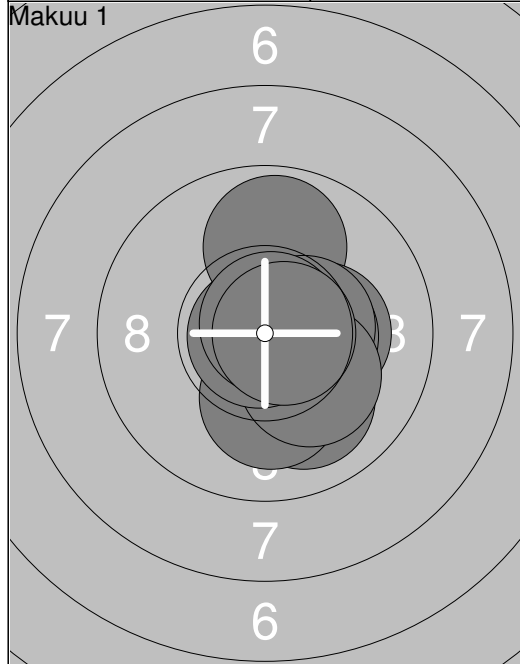
<p>Pysty 1</p> 	<p>1: *10.4→</p> <p>2: 10.1↗</p> <p>3: *10.2→</p> <p>4: 9.8 →</p> <p>5: 9.4 ↗</p> <p>6: 9.7 ↗</p> <p>7: *10.2↖</p> <p>8: 9.0 ↓</p> <p>9: *10.2→</p> <p>10: *10.2↓</p> <hr/> <p>Series 96.0</p> <p>Total 293.0</p>	<p>Pysty 2</p> 	<p>11: 9.4 ↓</p> <p>12: *10.4↖</p> <p>13: *10.4↖</p> <p>14: 10.0↖</p> <p>15: *10.4↓</p> <p>16: *10.4→</p> <p>17: 10.0→</p> <p>18: *10.2↓</p> <p>19: *10.5→</p> <p>20: *10.2↖</p> <hr/> <p>Series 99.0</p> <p>Total 392.0</p>
--	---	--	--

<p>Polvi 1</p> 	<p>1: *10.7→</p> <p>2: 10.1↖</p> <p>3: 10.1→</p> <p>4: 10.1→</p> <p>5: *10.7→</p> <p>6: *10.6↑</p> <p>7: *10.3→</p> <p>8: 8.6 ↓</p> <p>9: *10.5↘</p> <p>10: 9.7 ↓</p> <hr/> <p>Series 97.0</p> <p>Total 489.0</p>	<p>Polvi 2</p> 	<p>11: 10.1 ↓</p> <p>12: *10.5→</p> <p>13: *10.4↘</p> <p>14: *10.3↖</p> <p>15: *10.3↓</p> <p>16: 9.9 ↖</p> <p>17: *10.3↑</p> <p>18: *10.6↓</p> <p>19: 10.1 ↗</p> <p>20: *10.6↑</p> <hr/> <p>Series 99.0</p> <p>Total 588.0</p>
---	---	---	--

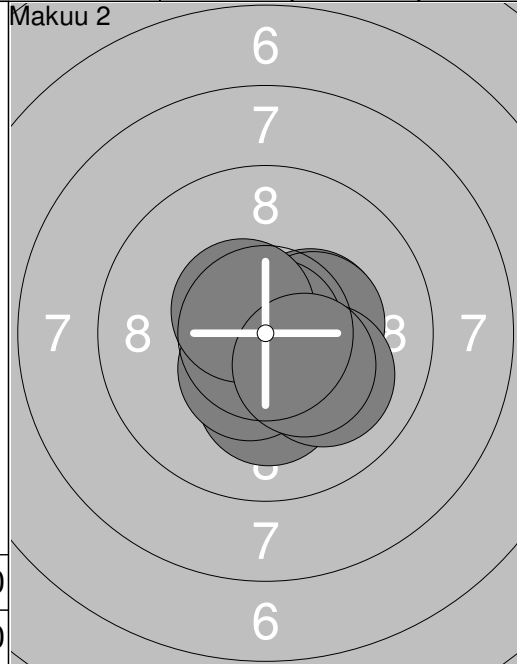
<p>Makuu 1</p>	<p>Makuu 2</p>	<p>11: *10.3 ↗</p> <p>12: *10.3 ↖</p> <p>13: *10.5 ↘</p> <p>14: *10.8 ↗</p> <p>15: *10.7 ↘</p> <p>16: *10.2 ↘</p> <p>17: *10.6 ↖</p> <p>18: *10.3 →</p> <p>19: *10.4 ↖</p> <p>20: *10.4 ↘</p>
<p>1: *10.2 ↘</p> <p>2: *10.7 ↘</p> <p>3: *10.2 ↗</p> <p>4: *10.8 ↘</p> <p>5: *10.5 ↖</p> <p>6: *10.6 →</p> <p>7: *10.6 ↘</p> <p>8: *10.7 ↗</p> <p>9: *10.7 ↗</p> <p>10: *10.3 →</p>	<p>Series 100.0</p> <p>Total 100.0</p>	<p>Series 100.0</p> <p>Total 200.0</p>

<p>Pysty 1</p>	<p>Pysty 2</p>	<p>11: 10.0 ↗</p> <p>12: *10.7 ↘</p> <p>13: 9.9 ↘</p> <p>14: *10.3 →</p> <p>15: 8.5 →</p> <p>16: 9.4 ↘</p> <p>17: *10.5 ↖</p> <p>18: 10.1 ↖</p> <p>19: *10.6 ↖</p> <p>20: *10.3 ↖</p>
<p>1: *10.3 ↗</p> <p>2: *10.3 ↖</p> <p>3: *10.7 ↗</p> <p>4: 9.9 →</p> <p>5: 9.2 →</p> <p>6: *10.3 →</p> <p>7: *10.5 ↖</p> <p>8: 10.0 →</p> <p>9: 10.1 ↘</p> <p>10: *10.2 ↖</p>	<p>Series 98.0</p> <p>Total 298.0</p>	<p>Series 96.0</p> <p>Total 394.0</p>

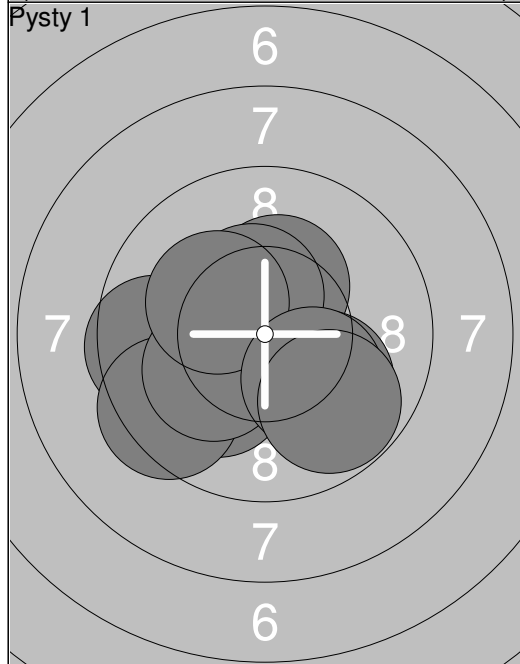
<p>Polvi 1</p>	<p>Polvi 2</p>	<p>11: 10.1 ↘</p> <p>12: 10.0 →</p> <p>13: *10.7 ↖</p> <p>14: 8.9 ↖</p> <p>15: *10.2 ↖</p> <p>16: 9.9 ↖</p> <p>17: 9.9 ↖</p> <p>18: 9.7 ↖</p> <p>19: *10.4 ↗</p> <p>20: *10.5 ↘</p>
<p>1: *10.3 →</p> <p>2: *10.7 →</p> <p>3: 9.8 ↖</p> <p>4: 10.0 →</p> <p>5: 10.0 ↖</p> <p>6: 10.1 ↗</p> <p>7: 9.4 ↗</p> <p>8: 9.1 ↖</p> <p>9: *10.5 ↗</p> <p>10: 9.1 ↖</p>	<p>Series 96.0</p> <p>Total 490.0</p>	<p>Series 95.0</p> <p>Total 585.0</p>



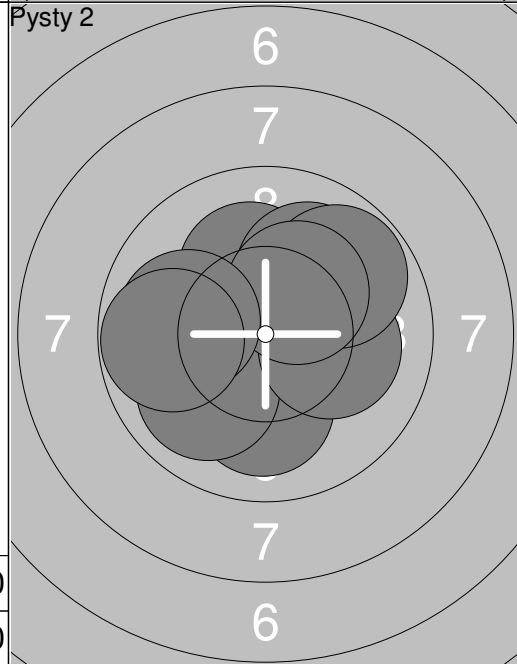
1:	10.0 ↘
2:	*10.2 ↓
3:	9.9 ↑
4:	*10.3 →
5:	*10.4 →
6:	*10.5 →
7:	*10.2 ↘
8:	*10.9 ↘
9:	*10.8 ↗
10:	*10.7 →
<b>Series 99.0</b>	
<b>Total 99.0</b>	



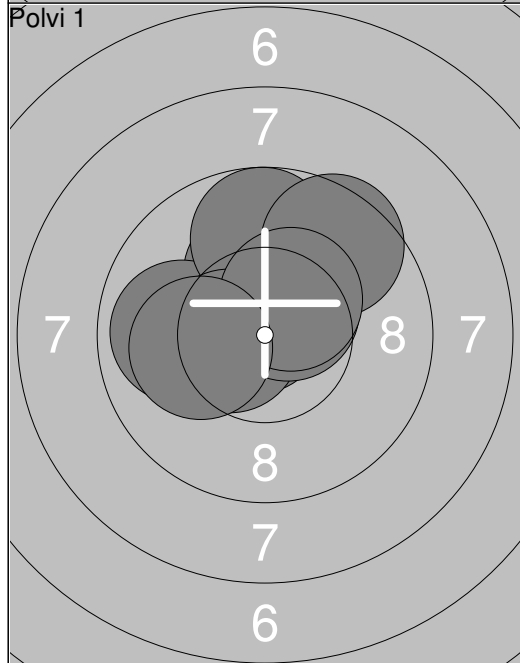
11:	*10.5 ↘
12:	*10.4 →
13:	*10.4 →
14:	*10.3 ↓
15:	*10.2 ↓
16:	*10.9 →
17:	*10.5 ↓
18:	10.0 ↘
19:	*10.6 ↘
20:	*10.3 ↘
<b>Series 100.0</b>	
<b>Total 199.0</b>	



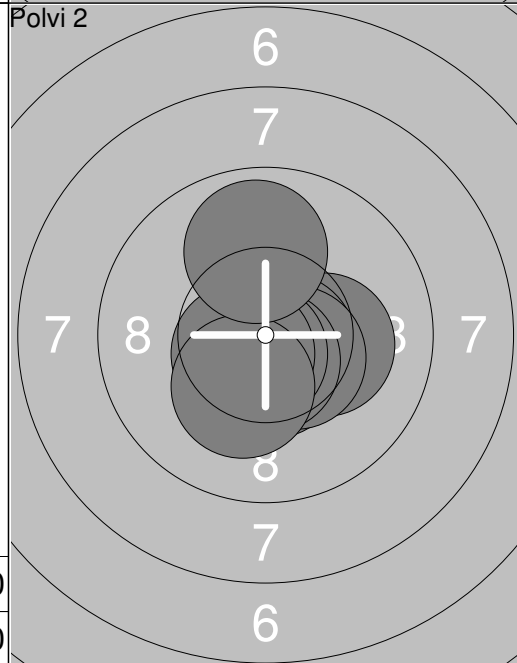
1:	*10.3 ↑
2:	10.0 ↘
3:	9.6 ←
4:	10.1 ↘
5:	*10.5 ↑
6:	9.4 ↘
7:	*10.2 ↘
8:	*10.2 ↘
9:	10.1 ↘
10:	9.8 ↘
<b>Series 97.0</b>	
<b>Total 296.0</b>	



11:	10.1 ↓
12:	10.0 ↘
13:	10.0 ↘
14:	10.1 →
15:	*10.2 ↑
16:	10.0 ↗
17:	9.8 ↗
18:	*10.3 ↗
19:	10.0 ←
20:	9.8 ←
<b>Series 98.0</b>	
<b>Total 394.0</b>	



1:	*10.2 ↑
2:	*10.2 ↑
3:	9.9 ←
4:	*10.8 ↘
5:	9.8 ↑
6:	*10.5 ←
7:	9.6 ↗
8:	*10.5 ↗
9:	*10.4 ↗
10:	10.1 ←
<b>Series 97.0</b>	
<b>Total 491.0</b>	

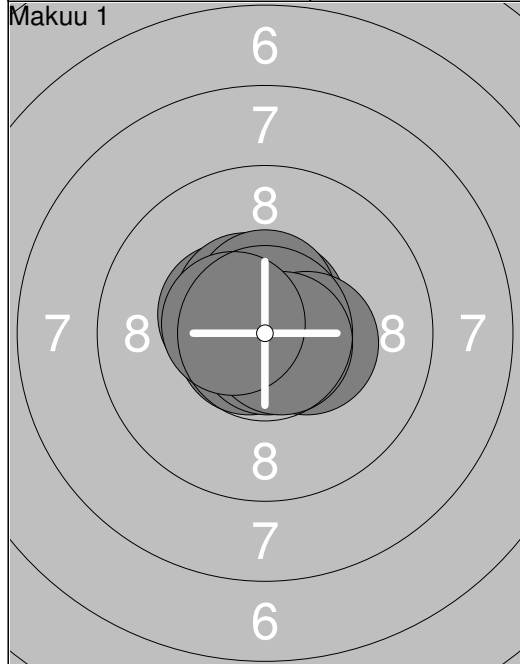


11:	*10.6 ↘
12:	*10.2 →
13:	*10.7 →
14:	*10.5 ↓
15:	*10.5 ↘
16:	*10.6 ↓
17:	*10.7 ↓
18:	*10.6 ↘
19:	*10.3 ↓
20:	9.9 ↑
<b>Series 99.0</b>	
<b>Total 590.0</b>	

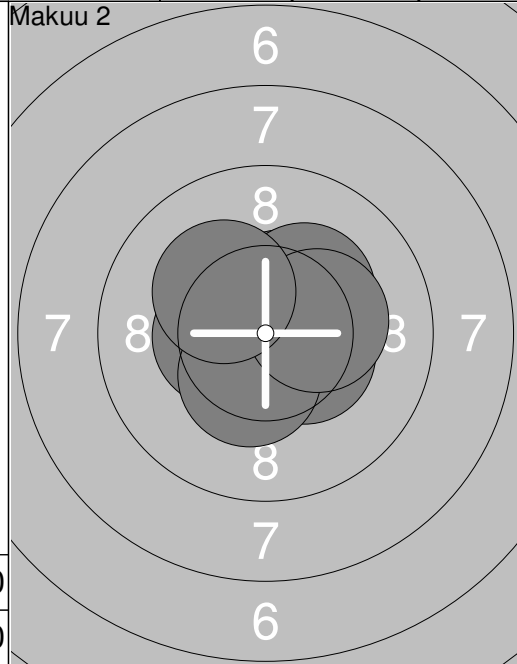
<p>Makuu 1</p>	<p>Makuu 2</p>	<table style="width:100%; border-collapse: collapse;"> <tr><td>11: 9.6 ↓</td></tr> <tr><td>12: *10.4 ↖</td></tr> <tr><td>13: *10.4 ↓</td></tr> <tr><td>14: 10.1 ↓</td></tr> <tr><td>15: *10.6 ↖</td></tr> <tr><td>16: *10.4 ↘</td></tr> <tr><td>17: *10.4 ↖</td></tr> <tr><td>18: *10.3 ↓</td></tr> <tr><td>19: *10.6 ↖</td></tr> <tr><td>20: *10.3 ↖</td></tr> </table>	11: 9.6 ↓	12: *10.4 ↖	13: *10.4 ↓	14: 10.1 ↓	15: *10.6 ↖	16: *10.4 ↘	17: *10.4 ↖	18: *10.3 ↓	19: *10.6 ↖	20: *10.3 ↖
11: 9.6 ↓												
12: *10.4 ↖												
13: *10.4 ↓												
14: 10.1 ↓												
15: *10.6 ↖												
16: *10.4 ↘												
17: *10.4 ↖												
18: *10.3 ↓												
19: *10.6 ↖												
20: *10.3 ↖												
Series 99.0	Series 99.0	Series 99.0										
Total 99.0	Total 99.0	Total 198.0										

<p>Pysty 1</p>	<p>Pysty 2</p>	<table style="width:100%; border-collapse: collapse;"> <tr><td>11: 10.1 ↖</td></tr> <tr><td>12: *10.2 ↖</td></tr> <tr><td>13: *10.8 ↖</td></tr> <tr><td>14: *10.3 ↖</td></tr> <tr><td>15: 10.0 ↖</td></tr> <tr><td>16: *10.3 →</td></tr> <tr><td>17: 9.6 ↖</td></tr> <tr><td>18: *10.4 ↗</td></tr> <tr><td>19: 9.4 ↖</td></tr> <tr><td>20: *10.2 ↗</td></tr> </table>	11: 10.1 ↖	12: *10.2 ↖	13: *10.8 ↖	14: *10.3 ↖	15: 10.0 ↖	16: *10.3 →	17: 9.6 ↖	18: *10.4 ↗	19: 9.4 ↖	20: *10.2 ↗
11: 10.1 ↖												
12: *10.2 ↖												
13: *10.8 ↖												
14: *10.3 ↖												
15: 10.0 ↖												
16: *10.3 →												
17: 9.6 ↖												
18: *10.4 ↗												
19: 9.4 ↖												
20: *10.2 ↗												
Series 93.0	Series 98.0	Series 98.0										
Total 291.0	Total 291.0	Total 389.0										

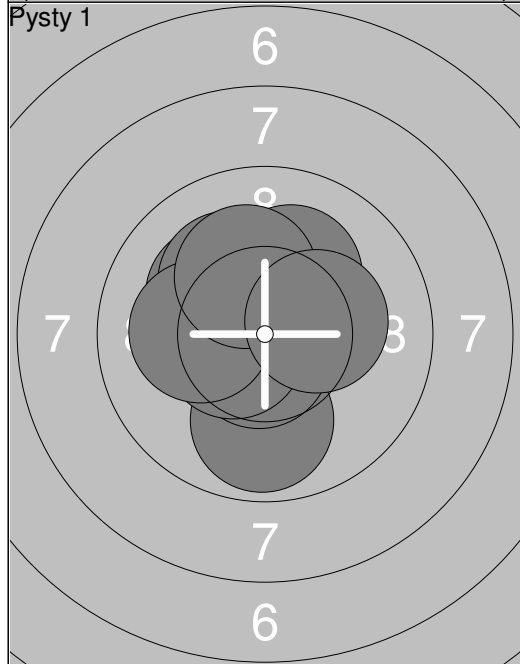
<p>Polvi 1</p>	<p>Polvi 2</p>	<table style="width:100%; border-collapse: collapse;"> <tr><td>11: *10.6 ↖</td></tr> <tr><td>12: *10.4 ↗</td></tr> <tr><td>13: 9.9 →</td></tr> <tr><td>14: 10.1 →</td></tr> <tr><td>15: 9.9 ↓</td></tr> <tr><td>16: 10.0 ↖</td></tr> <tr><td>17: *10.3 ↘</td></tr> <tr><td>18: 8.7 ↖</td></tr> <tr><td>19: 9.9 →</td></tr> <tr><td>20: 8.9 →</td></tr> </table>	11: *10.6 ↖	12: *10.4 ↗	13: 9.9 →	14: 10.1 →	15: 9.9 ↓	16: 10.0 ↖	17: *10.3 ↘	18: 8.7 ↖	19: 9.9 →	20: 8.9 →
11: *10.6 ↖												
12: *10.4 ↗												
13: 9.9 →												
14: 10.1 →												
15: 9.9 ↓												
16: 10.0 ↖												
17: *10.3 ↘												
18: 8.7 ↖												
19: 9.9 →												
20: 8.9 →												
Series 96.0	Series 93.0	Series 93.0										
Total 485.0	Total 485.0	Total 578.0										



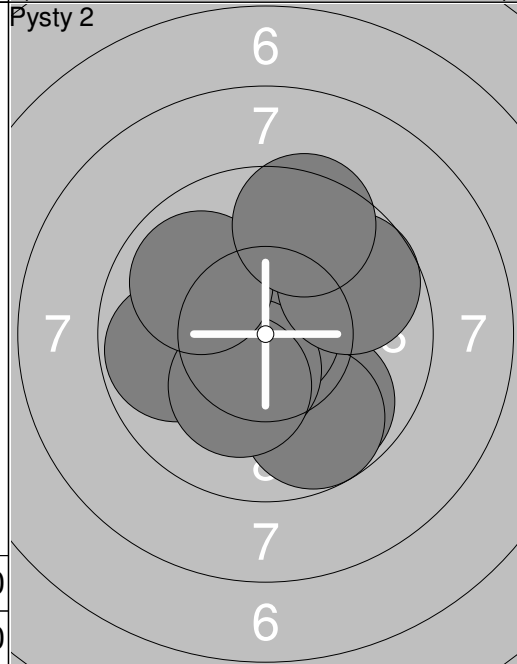
1:	*10.6 ↗
2:	*10.8 ↘
3:	*10.4 ↙
4:	*10.5 ↘
5:	*10.7 ↘
6:	*10.5 ↗
7:	*10.4 →
8:	*10.8 ↘
9:	*10.7 ↘
10:	*10.5 ↙
Series	100.0
Total	100.0



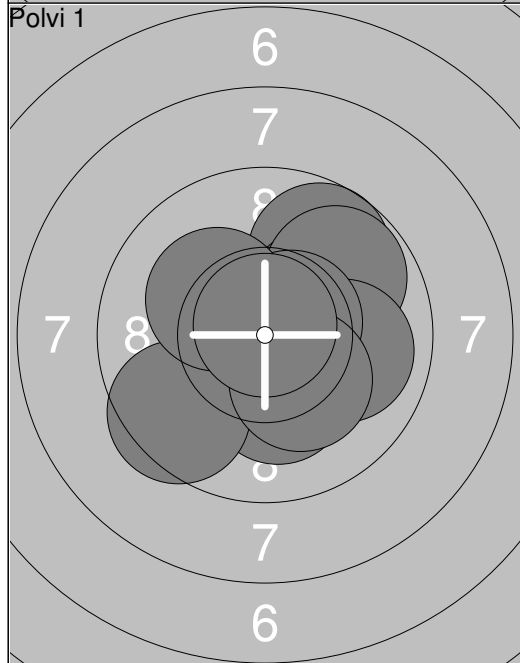
11:	*10.8 ↘
12:	*10.4 ↙
13:	*10.5 ↗
14:	*10.4 ↘
15:	*10.3 →
16:	*10.2 ↗
17:	*10.4 ←
18:	*10.4 ↘
19:	*10.3 →
20:	*10.2 ↙
Series	100.0
Total	200.0



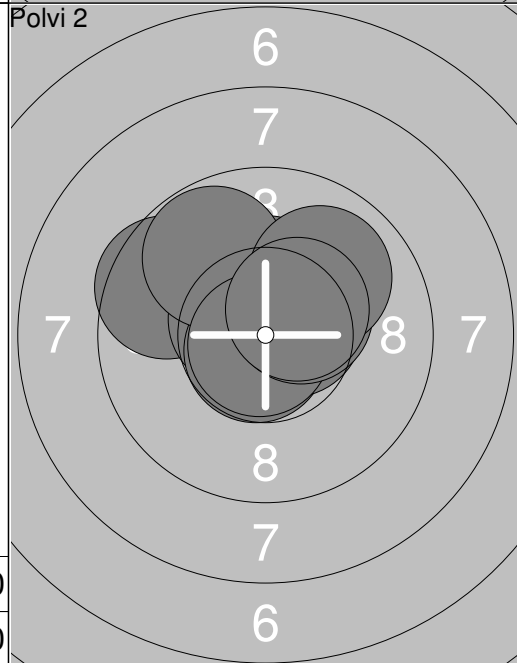
1:	9.9 ↓
2:	*10.6 ↘
3:	*10.2 ↙
4:	*10.2 ↗
5:	*10.6 ←
6:	*10.2 ↙
7:	*10.5 ↙
8:	*10.2 ←
9:	*10.2 ↗
10:	*10.3 →
Series	99.0
Total	299.0



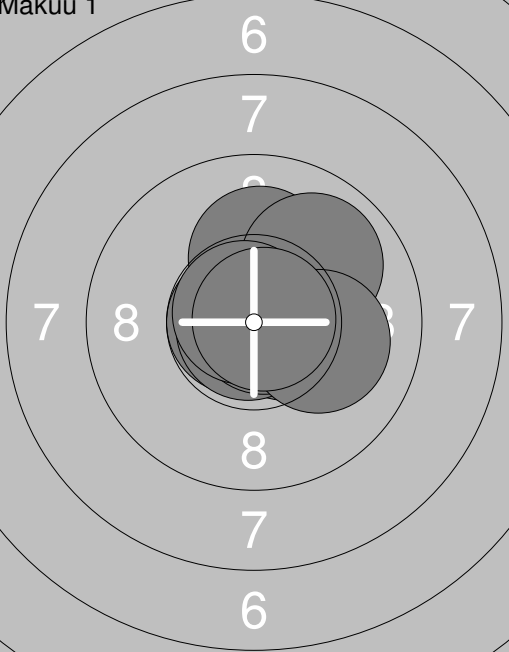
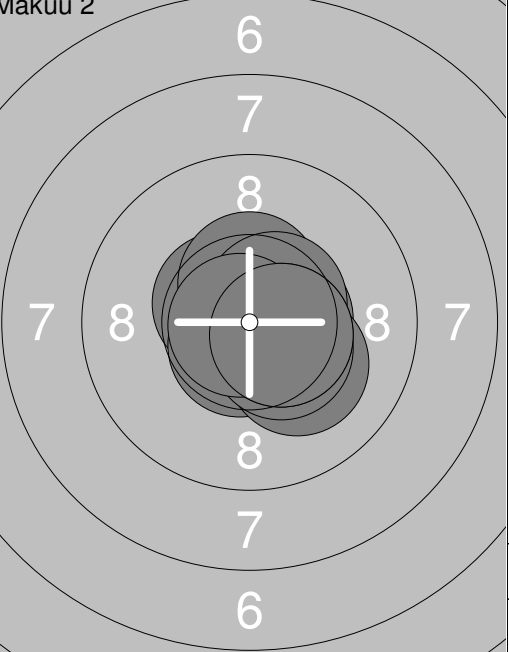
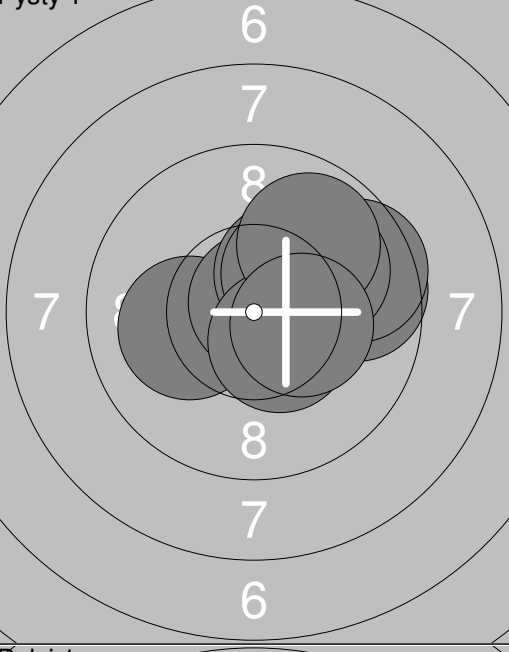
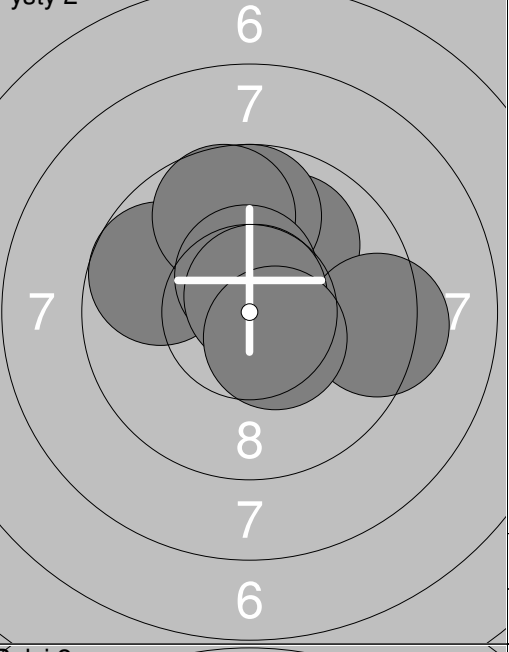
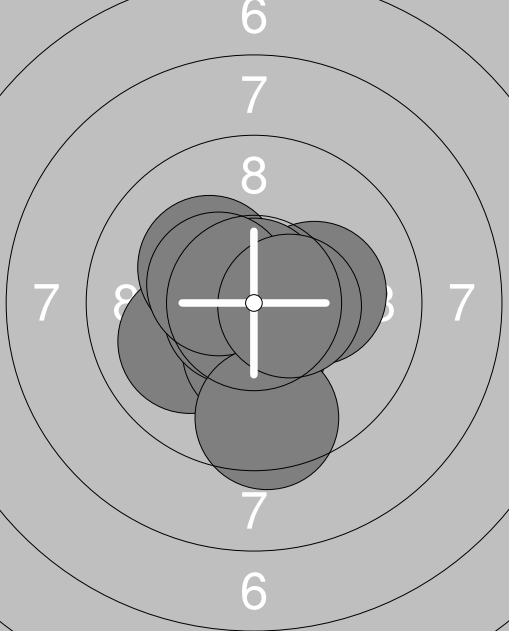
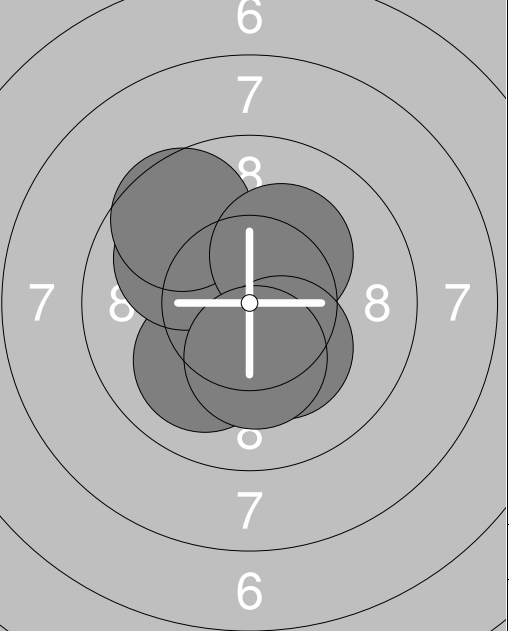
11:	9.8 ←
12:	*10.4 ↗
13:	9.8 ↘
14:	9.8 ↘
15:	*10.9 ↗
16:	*10.5 ↘
17:	*10.2 ↘
18:	9.7 ↗
19:	9.9 ↙
20:	9.5 ↗
Series	94.0
Total	393.0



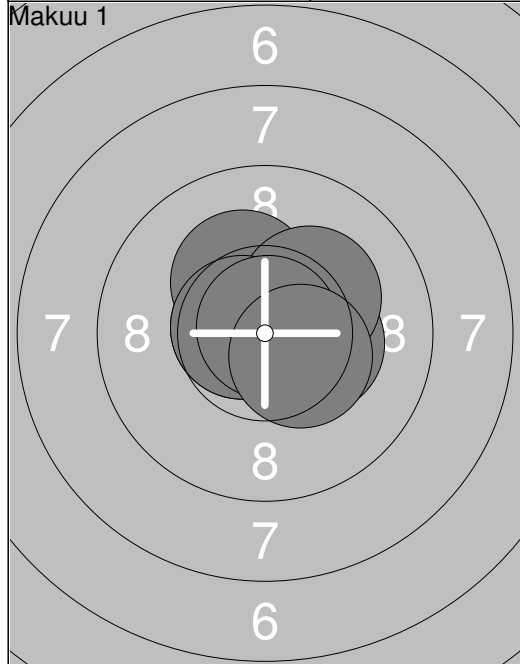
1:	9.8 ↗
2:	*10.2 ↗
3:	9.8 ↗
4:	*10.2 ↘
5:	10.0 →
6:	*10.6 →
7:	9.5 ←
8:	*10.2 ↙
9:	*10.2 ↘
10:	*10.8 ↗
Series	97.0
Total	490.0



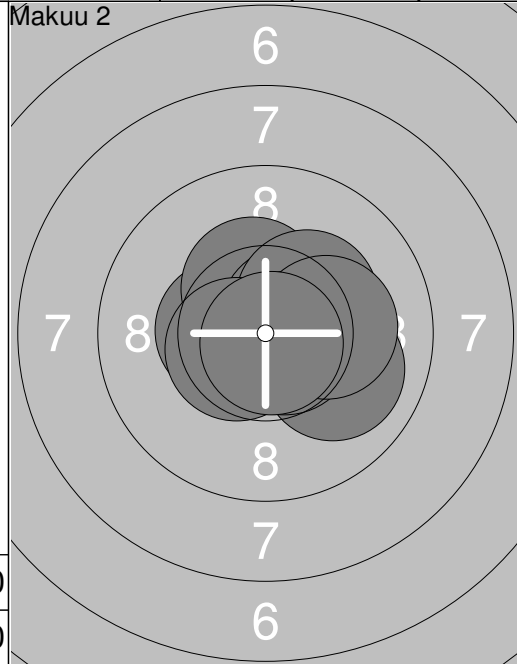
11:	*10.3 ↗
12:	9.6 ↙
13:	*10.6 ↙
14:	*10.7 ↘
15:	*10.6 →
16:	9.8 ↙
17:	*10.8 ↘
18:	*10.4 ↗
19:	10.0 ↗
20:	*10.5 ↗
Series	98.0
Total	588.0

Relay	Lane	Joni Stenström		
4	18			
ilmakivääri		RS	Y	
23.-24.03.2013		IK 3*20ls asento SM-kilpailut	Kankaanpään Ampumaurheilijat	
Makuu 1		1: 10.1 ↗ 2: *10.8 ← 3: *10.5 → 4: *10.9 ↘ 5: 10.1 ↑ 6: 9.9 ↗ 7: *10.8 → 8: *10.8 ↘ 9: 10.1 → 10: *10.8 → Series 99.0 Total 99.0	Makuu 2	 11: *10.5 → 12: *10.6 ↘ 13: *10.6 ↘ 14: *10.5 ↑ 15: *10.2 ↘ 16: *10.5 ↗ 17: *10.4 ↘ 18: *10.5 → 19: *10.8 ← 20: *10.5 → Series 100.0 Total 199.0
Pysty 1		1: 9.6 → 2: 10.1 ← 3: *10.8 ↗ 4: *10.3 ↗ 5: *10.3 ↗ 6: *10.5 ↘ 7: 9.6 → 8: 10.0 ↗ 9: 9.8 ↗ 10: *10.3 → Series 97.0 Total 296.0	Pysty 2	 11: 9.7 ← 12: *10.5 → 13: *10.3 ↗ 14: 10.0 ↗ 15: 9.7 ↑ 16: 9.7 ↑ 17: 9.4 → 18: *10.5 ↑ 19: *10.7 ↗ 20: *10.5 ↘ Series 96.0 Total 392.0
Polvi 1		1: *10.2 → 2: 10.0 ← 3: *10.6 → 4: *10.3 ↘ 5: *10.4 ↓ 6: *10.8 ↑ 7: *10.7 ↘ 8: *10.5 ↘ 9: 9.5 ↓ 10: *10.5 → Series 99.0 Total 491.0	Polvi 2	 11: *10.8 ↘ 12: *10.6 ↗ 13: 10.0 ↘ 14: *10.7 ↗ 15: *10.7 ↑ 16: 10.0 ↘ 17: 9.6 ← 18: *10.3 ↗ 19: *10.3 ↘ 20: *10.3 ↓ Series 99.0 Total 590.0

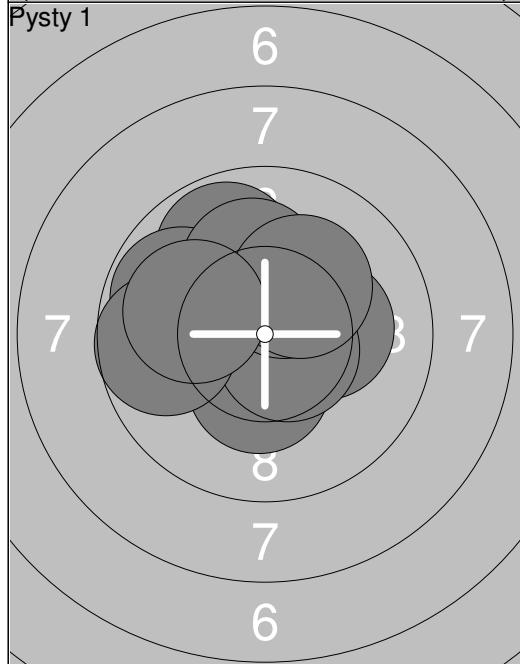




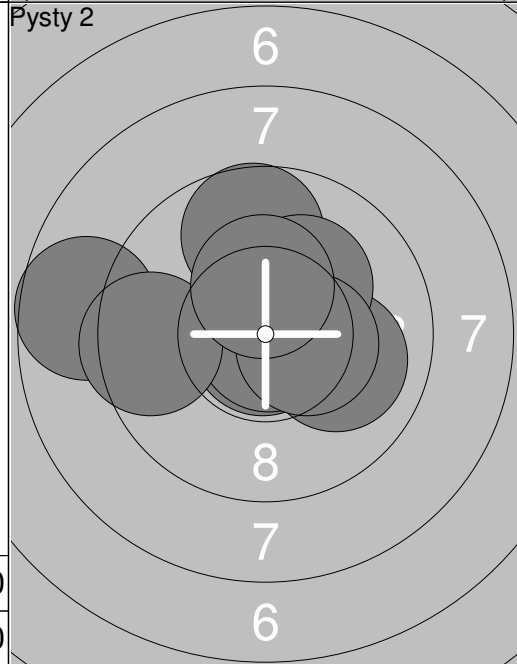
1:	*10.7↖
2:	*10.7↗
3:	*10.3↗
4:	*10.3→
5:	*10.3↖
6:	*10.8↗
7:	*10.2↗
8:	*10.7↖
9:	*10.9↗
10:	*10.4↘
Series	100.0
Total	100.0



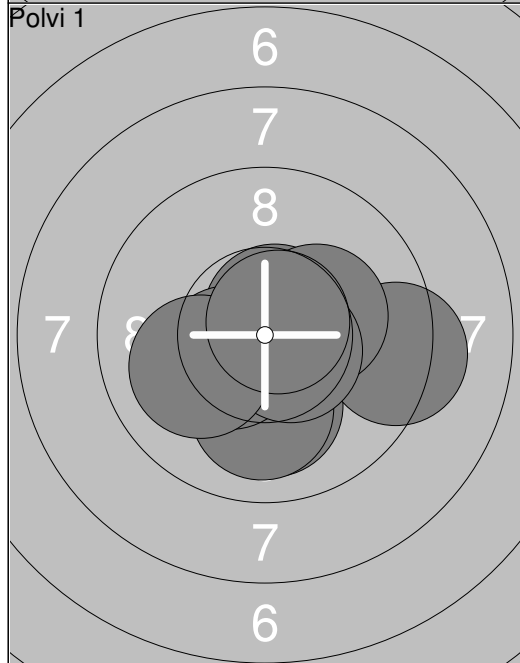
11:	*10.5↖
12:	*10.4↖
13:	*10.6→
14:	*10.6↗
15:	10.0→
16:	*10.3↗
17:	*10.7↘
18:	*10.5↘
19:	*10.2→
20:	*10.8↘
Series	100.0
Total	200.0



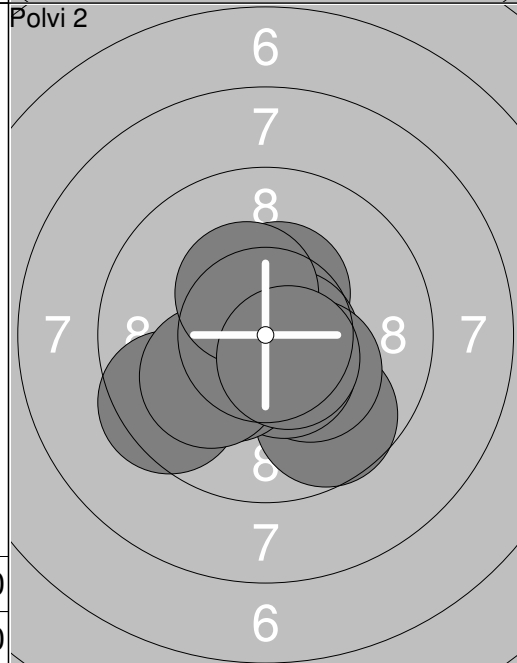
1:	9.8 ↖
2:	*10.2→
3:	*10.4↓
4:	*10.6↘
5:	9.8 ←
6:	9.7 ←
7:	*10.3↗
8:	10.1 ↑
9:	*10.2↗
10:	10.0↖
Series	97.0
Total	297.0



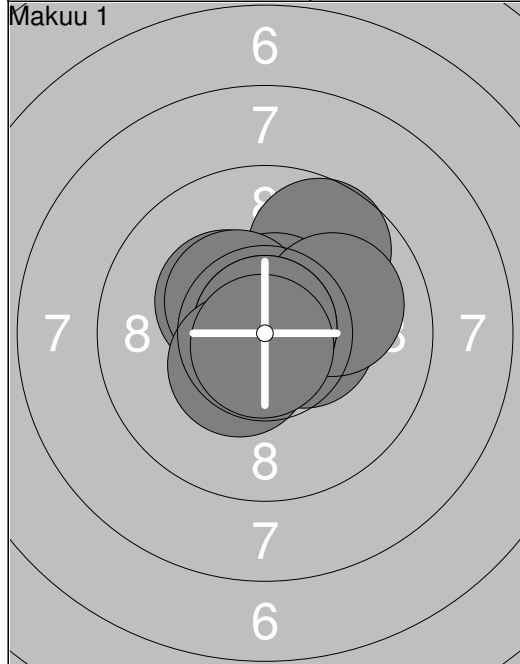
11:	*10.5↗
12:	*10.8↓
13:	10.0→
14:	8.7 ←
15:	9.7 ↑
16:	*10.9↘
17:	*10.2↗
18:	9.5 ←
19:	*10.4→
20:	*10.4↑
Series	96.0
Total	393.0



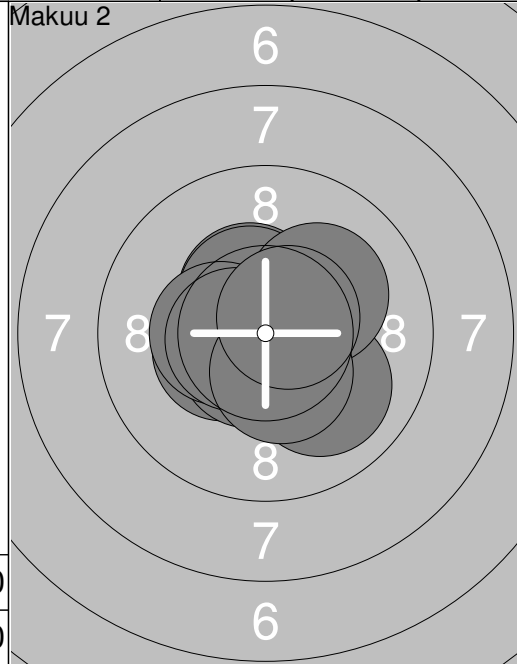
1:	*10.5↘
2:	10.1 ↓
3:	*10.7↗
4:	9.3 →
5:	10.0 ↓
6:	*10.3↗
7:	*10.4↘
8:	*10.6↘
9:	10.1↖
10:	*10.7↗
Series	99.0
Total	492.0



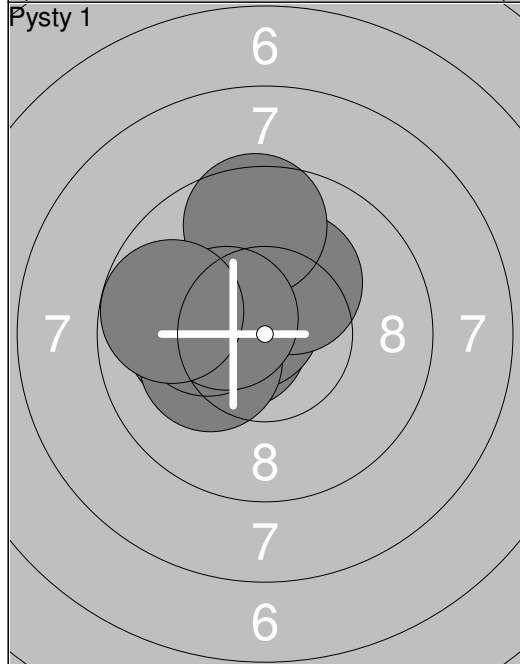
11:	9.7 ↘
12:	*10.4↗
13:	*10.7→
14:	*10.2↘
15:	9.5 ↖
16:	*10.5↘
17:	*10.3↘
18:	10.1↖
19:	*10.4↖
20:	*10.6↘
Series	98.0
Total	590.0



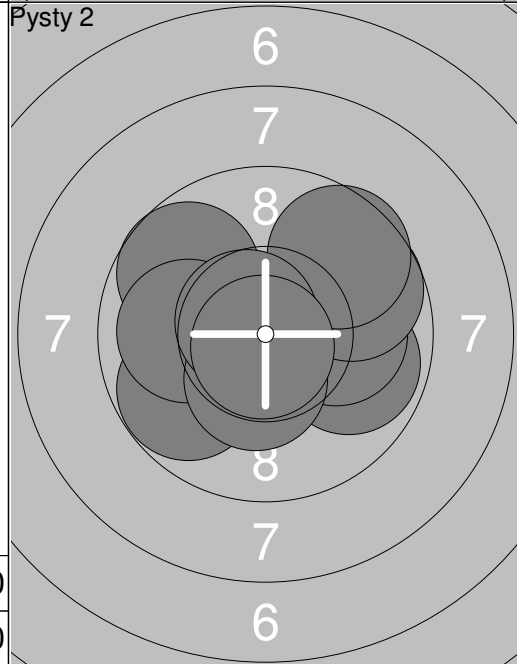
1:	9.7 ↗
2:	*10.3 ↘
3:	*10.5 →
4:	*10.6 ↗
5:	*10.4 ↘
6:	10.0 →
7:	*10.9 ↗
8:	*10.9 ↗
9:	*10.4 ↘
10:	*10.8 ↘
<b>Series 99.0</b>	
<b>Total 99.0</b>	



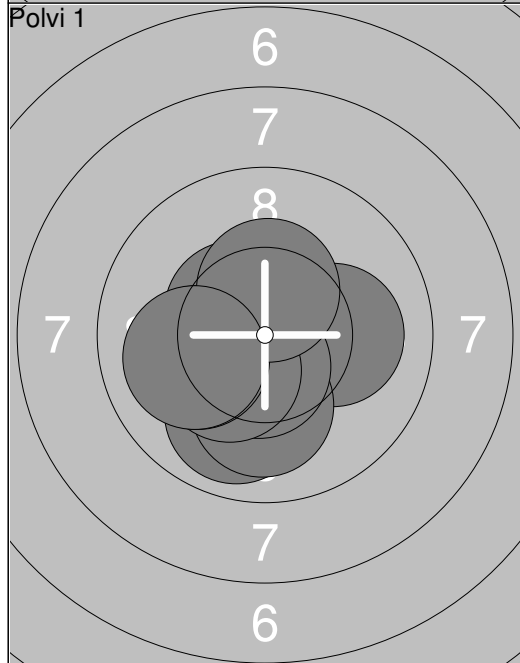
11:	*10.4 ↗
12:	*10.4 ↘
13:	*10.5 ↘
14:	*10.6 ↘
15:	*10.4 ↘
16:	10.0 ↘
17:	*10.6 ↘
18:	*10.2 ↗
19:	*10.4 ↘
20:	*10.6 ↗
<b>Series 100.0</b>	
<b>Total 199.0</b>	



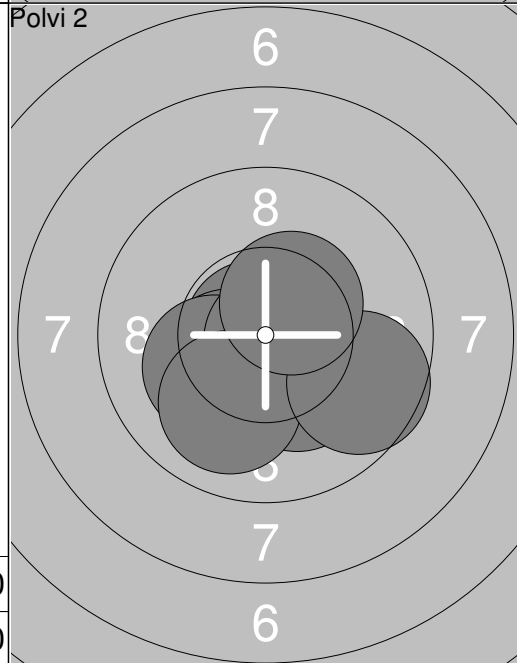
1:	10.1 ←
2:	*10.6 ←
3:	*10.6 ↘
4:	*10.6 ↘
5:	*10.2 ↗
6:	9.6 ↑
7:	*10.2 ↘
8:	*10.2 ↘
9:	*10.4 ↘
10:	9.7 ←
<b>Series 98.0</b>	
<b>Total 297.0</b>	



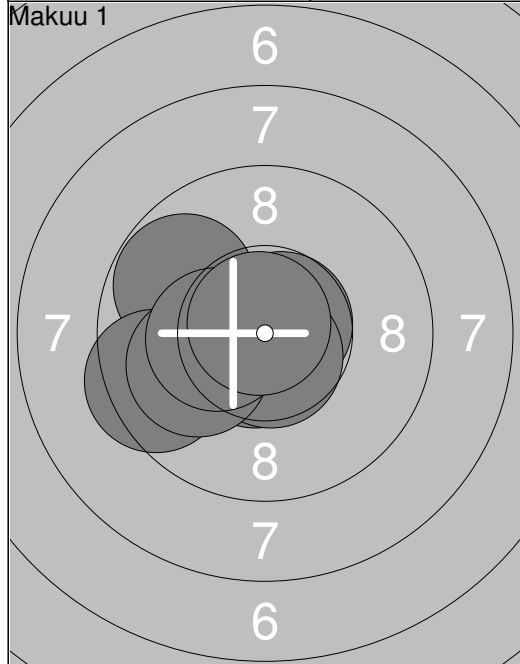
11:	9.9 →
12:	10.1 →
13:	9.8 ↙
14:	9.7 ↙
15:	10.0 ←
16:	9.7 →
17:	*10.4 ↘
18:	9.6 ↗
19:	*10.7 ↘
20:	*10.8 ↘
<b>Series 95.0</b>	
<b>Total 392.0</b>	



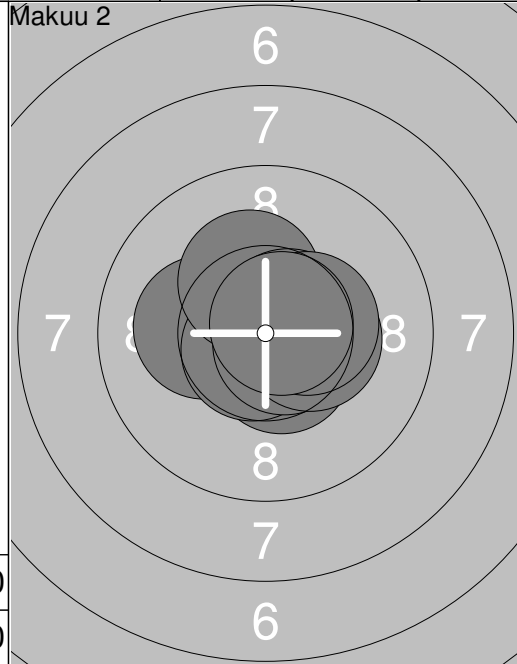
1:	*10.5 ↘
2:	10.1 ↘
3:	10.1 →
4:	9.9 ↘
5:	10.1 ↘
6:	*10.6 ↘
7:	*10.3 ↘
8:	10.1 ←
9:	*10.4 ↗
10:	10.0 ←
<b>Series 99.0</b>	
<b>Total 491.0</b>	



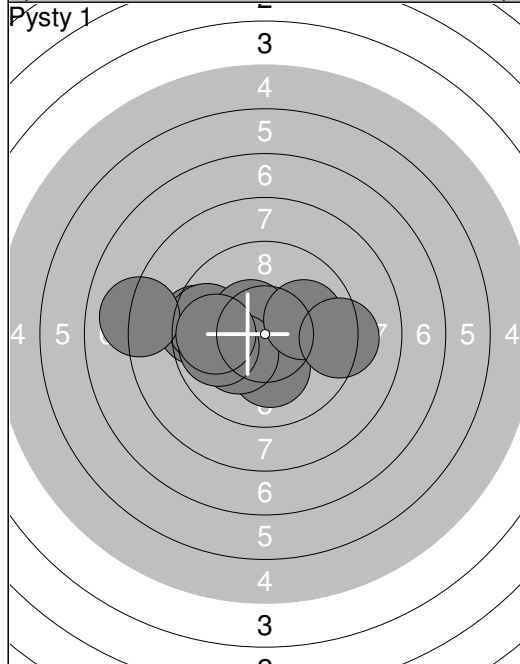
11:	*10.8 ↘
12:	*10.2 ↘
13:	*10.4 ↘
14:	*10.5 ↘
15:	*10.2 ↘
16:	*10.3 ↘
17:	*10.8 ↘
18:	10.0 ↘
19:	9.6 →
20:	*10.4 ↗
<b>Series 99.0</b>	
<b>Total 590.0</b>	



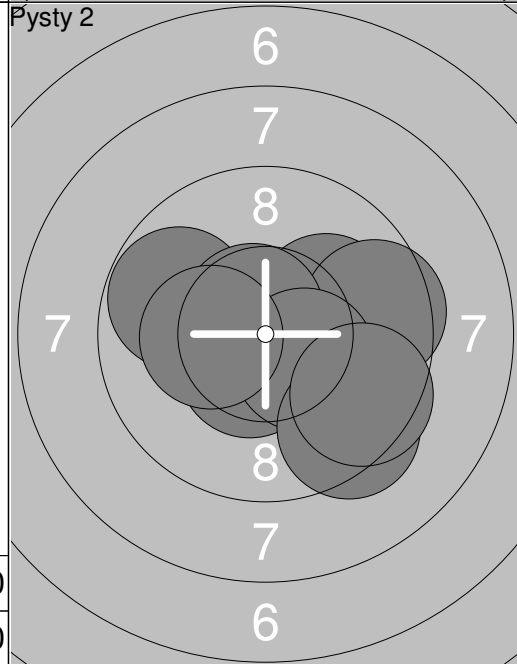
1:	9.8 ↖
2:	*10.6 ↘
3:	*10.5 ↘
4:	*10.7 ↗
5:	*10.6 ↘
6:	*10.7 ↘
7:	9.5 ←
8:	10.0 ←
9:	*10.3 ←
10:	*10.8 ↘
Series	98.0
Total	98.0



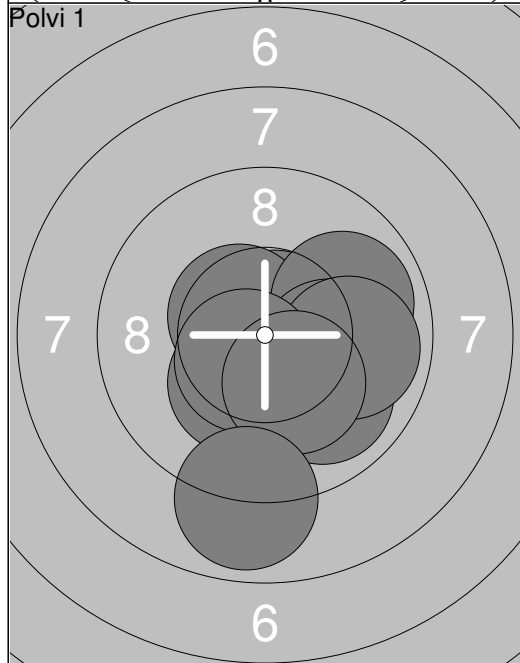
11:	*10.7 ↖
12:	*10.5 ↘
13:	*10.2 ←
14:	*10.7 ↘
15:	*10.7 ↘
16:	*10.4 →
17:	*10.3 ↖
18:	*10.6 ↗
19:	*10.4 →
20:	*10.7 ↗
Series	100.0
Total	198.0



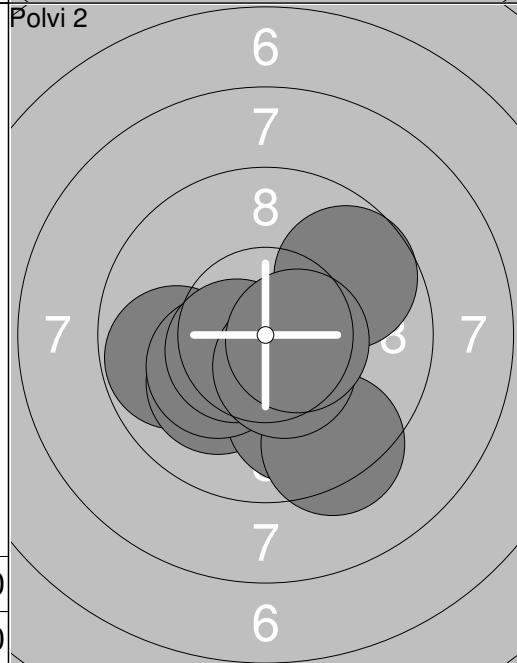
1:	*10.2 ↘
2:	9.4 ←
3:	9.6 ←
4:	*10.5 ↘
5:	*10.2 ↘
6:	9.9 ←
7:	10.0 →
8:	8.1 ←
9:	9.9 ←
10:	9.3 →
Series	93.0
Total	291.0



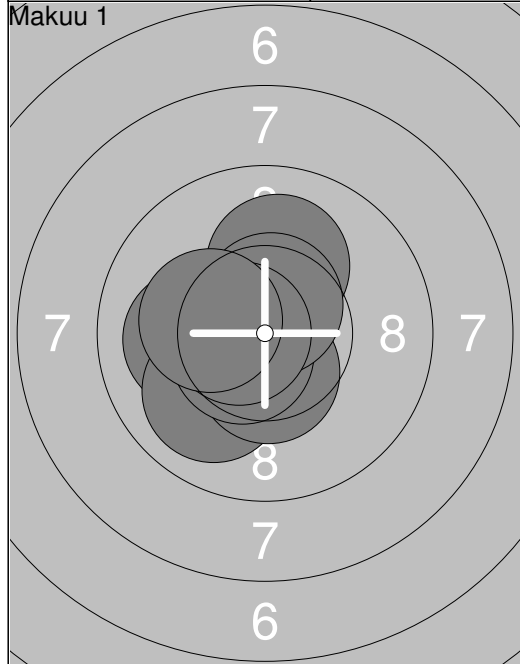
11:	10.1 →
12:	*10.2 →
13:	9.8 ←
14:	9.6 →
15:	*10.7 ↖
16:	*10.5 ↘
17:	*10.4 ↘
18:	9.4 ↘
19:	9.5 ↘
20:	*10.3 ←
Series	96.0
Total	387.0



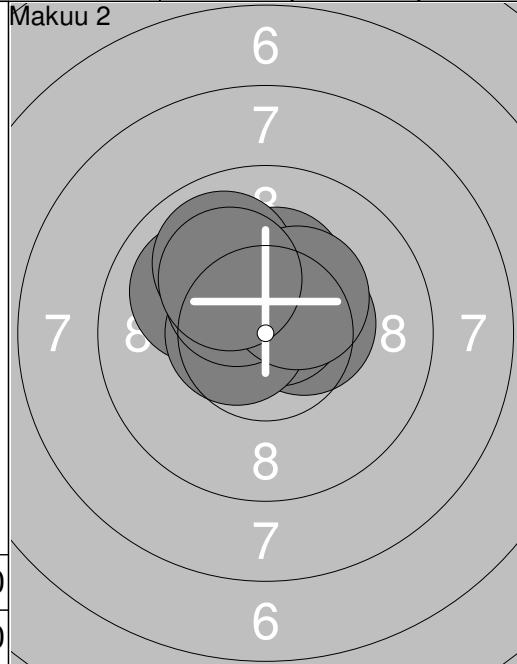
1:	*10.7 ↗
2:	*10.5 ↘
3:	9.9 ↘
4:	9.9 →
5:	*10.3 ↘
6:	10.1 →
7:	9.9 →
8:	*10.5 ↘
9:	*10.2 ↘
10:	8.9 ↓
Series	95.0
Total	482.0



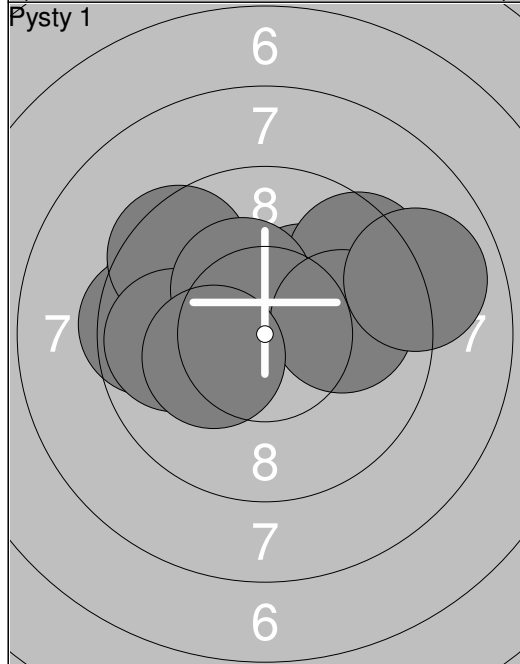
11:	*10.6 ↘
12:	9.8 ←
13:	10.1 ↘
14:	9.9 ↘
15:	*10.2 ↘
16:	9.3 ↘
17:	*10.5 ↘
18:	*10.5 ↘
19:	9.7 ↗
20:	*10.6 →
Series	96.0
Total	578.0



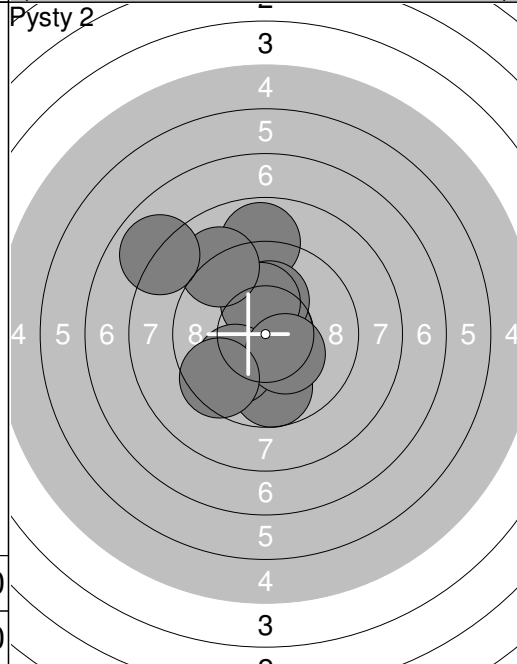
1:	*10.7 ↘
2:	10.1 ↑
3:	10.1 ←
4:	*10.7 ↗
5:	10.0 ↘
6:	*10.5 ↓
7:	*10.6 ↘
8:	*10.6 ↑
9:	*10.6 ←
10:	*10.2 ↗
<b>Series 100.0</b>	
<b>Total 100.0</b>	



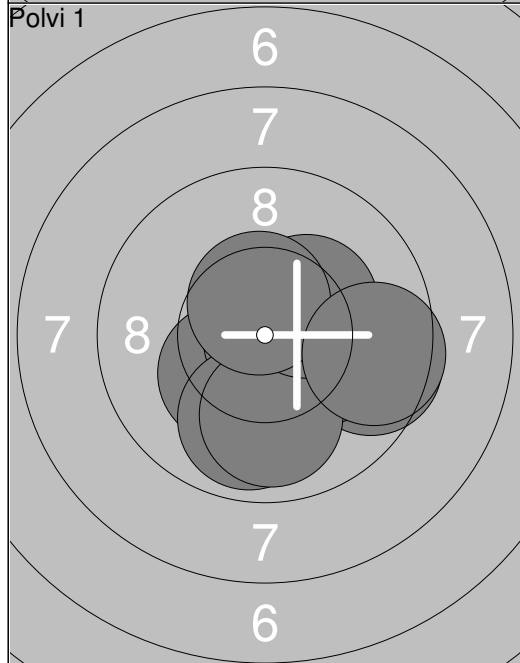
11:	*10.3 ↑
12:	10.0 ↙
13:	*10.4 →
14:	*10.5 ↑
15:	*10.7 ↑
16:	*10.6 ←
17:	*10.4 ↙
18:	9.9 ↖
19:	*10.4 ↗
20:	10.1 ↖
<b>Series 99.0</b>	
<b>Total 199.0</b>	



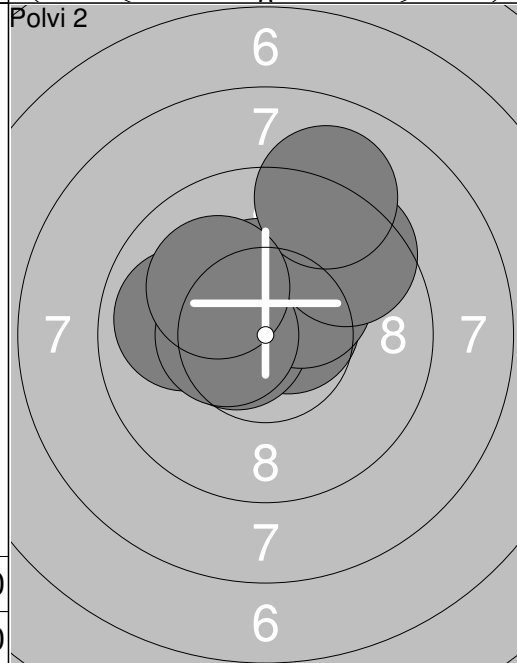
1:	*10.3 ↗
2:	9.5 ↗
3:	9.6 ↖
4:	9.5 ←
5:	9.5 ↗
6:	9.8 ←
7:	*10.3 ↙
8:	10.0 →
9:	*10.3 ↘
10:	8.9 →
<b>Series 93.0</b>	
<b>Total 292.0</b>	



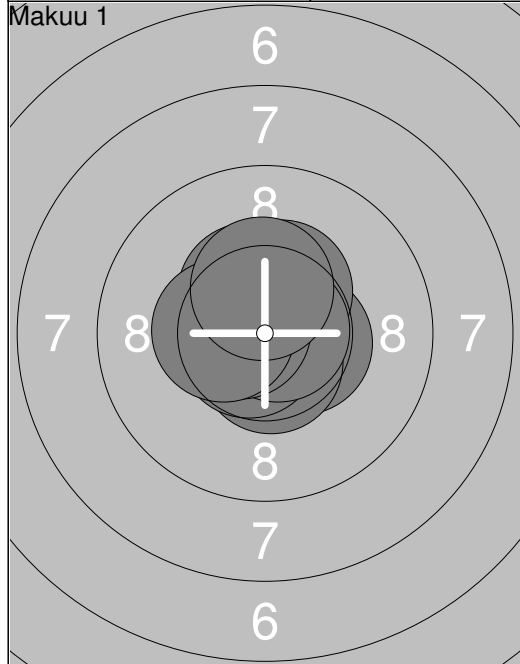
11:	*10.8 →
12:	8.9 ↑
13:	9.7 ↓
14:	*10.2 ↑
15:	*10.2 ↑
16:	9.1 ↖
17:	10.0 ↘
18:	*10.3 ↘
19:	8.0 ↖
20:	9.5 ↘
<b>Series 93.0</b>	
<b>Total 385.0</b>	



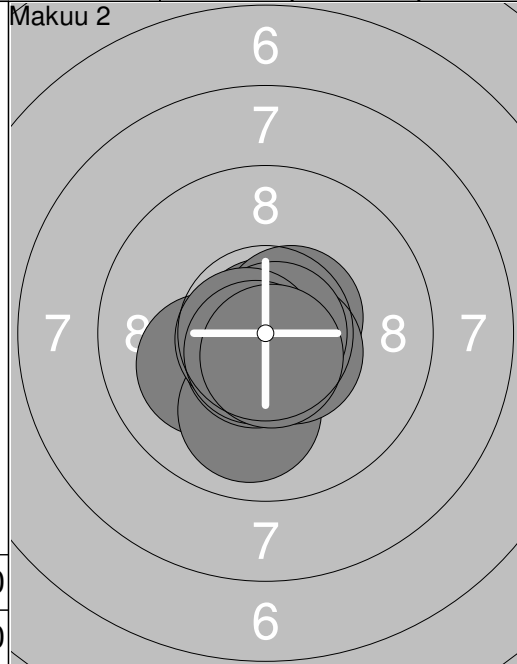
1:	*10.3 ↘
2:	*10.8 →
3:	10.0 →
4:	9.6 →
5:	9.9 ↓
6:	*10.2 →
7:	10.0 ↓
8:	*10.3 ↗
9:	*10.5 ↑
10:	9.6 →
<b>Series 97.0</b>	
<b>Total 482.0</b>	



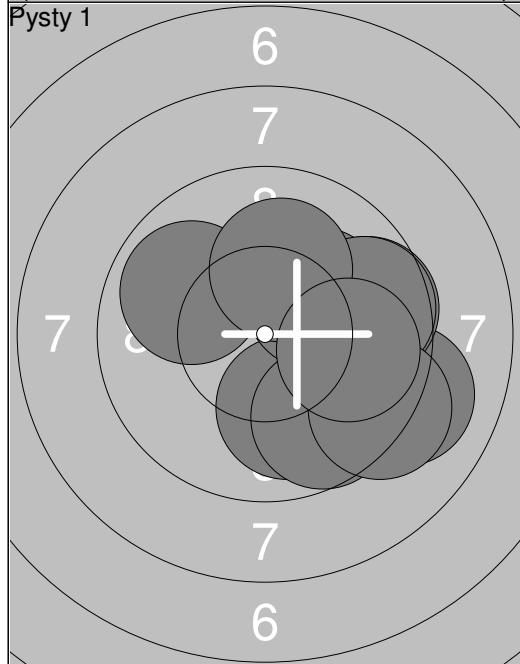
11:	*10.4 ↑
12:	*10.6 →
13:	9.9 ←
14:	*10.4 ↑
15:	*10.6 ←
16:	*10.3 ↗
17:	9.5 ↗
18:	9.1 ↑
19:	*10.5 ←
20:	10.1 ↖
<b>Series 97.0</b>	
<b>Total 579.0</b>	



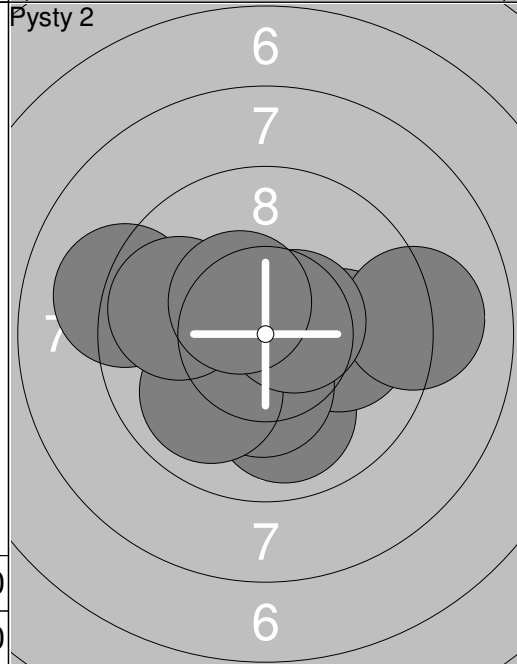
1:	*10.5	→
2:	*10.5	↗
3:	*10.4	↗
4:	*10.5	↖
5:	*10.6	↓
6:	*10.7	↘
7:	*10.8	→
8:	*10.6	↖
9:	*10.4	←
10:	*10.4	↑
Series		100.0
Total		100.0



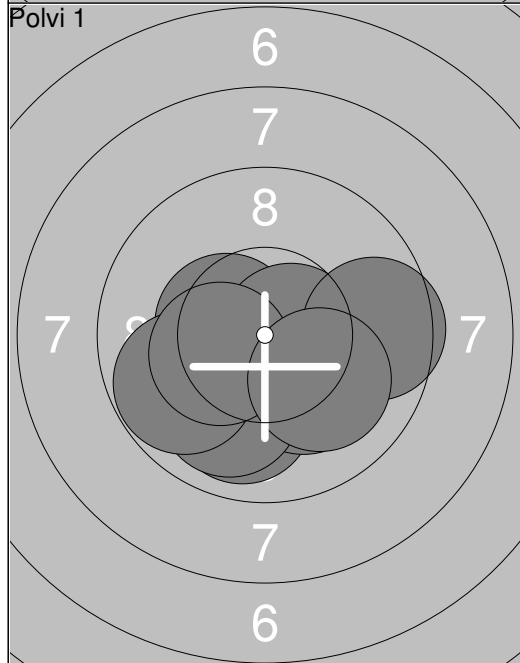
11:	*10.9	↑
12:	*10.6	↗
13:	10.1	↖
14:	10.0	↓
15:	*10.7	↓
16:	*10.5	↘
17:	*10.8	→
18:	*10.7	↖
19:	*10.7	↓
20:	*10.7	↓
Series		100.0
Total		200.0



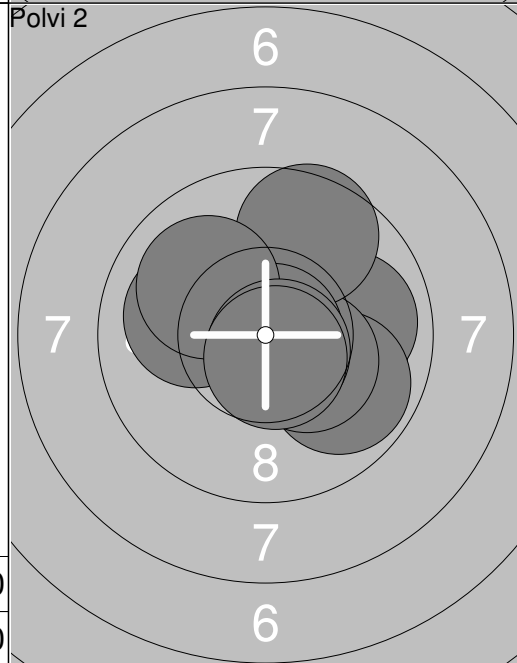
1:	10.0	↓
2:	9.1	→
3:	9.6	→
4:	*10.2	↗
5:	9.9	↖
6:	9.7	↓
7:	9.7	→
8:	10.1	↑
9:	9.2	↘
10:	9.9	→
Series		93.0
Total		293.0



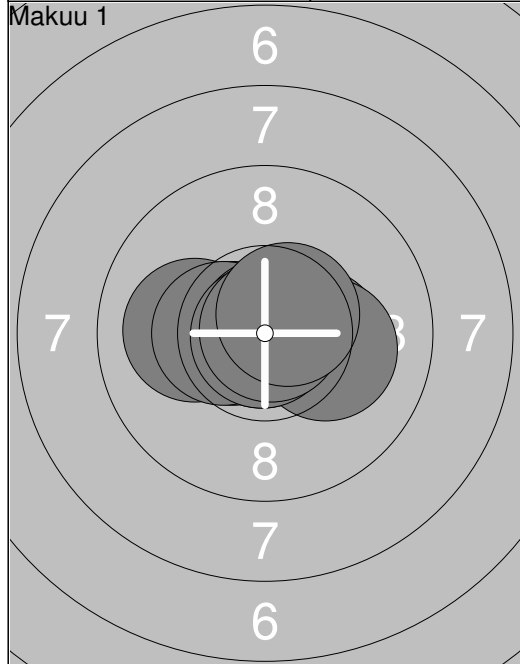
11:	10.0	↓
12:	10.0	→
13:	9.1	→
14:	*10.6	↓
15:	*10.3	↓
16:	9.1	↖
17:	10.0	↖
18:	*10.6	↗
19:	9.8	↖
20:	*10.4	↖
Series		97.0
Total		390.0



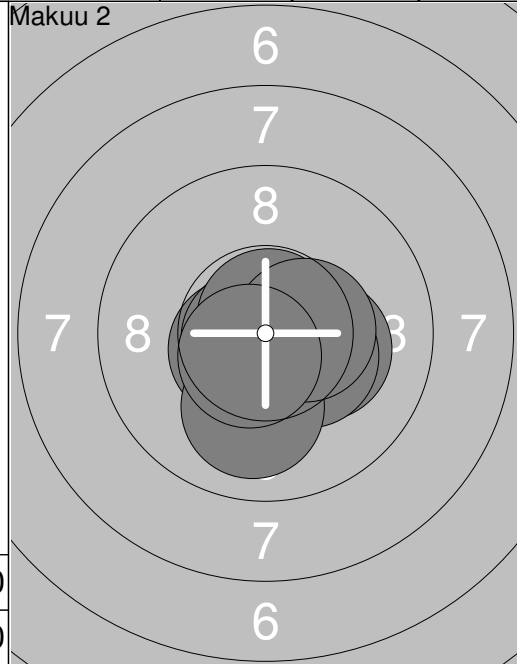
1:	*10.2	↓
2:	9.9	↓
3:	*10.2	↘
4:	*10.5	↖
5:	*10.6	→
6:	10.0	↓
7:	9.8	↖
8:	9.6	→
9:	*10.4	↖
10:	10.1	↘
Series		97.0
Total		487.0



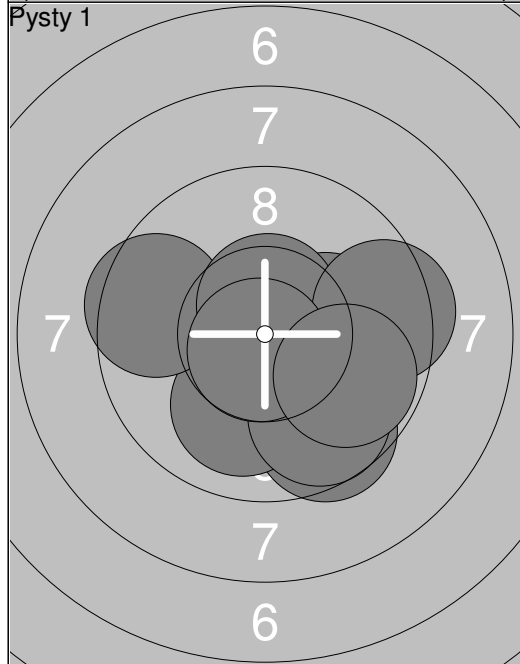
11:	10.0	→
12:	9.9	→
13:	10.0	↖
14:	9.9	↘
15:	*10.4	↘
16:	9.6	↑
17:	*10.9	→
18:	10.0	↖
19:	*10.7	↘
20:	*10.6	↓
Series		97.0
Total		584.0



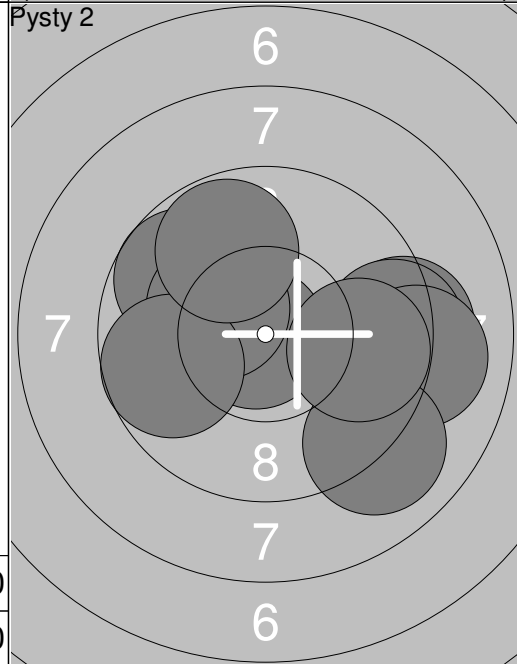
1:	*10.9 ↘
2:	*10.6 ←
3:	*10.3 →
4:	10.1 ←
5:	*10.2 →
6:	*10.4 ←
7:	*10.9 ↗
8:	*10.9 ↘
9:	*10.9 ↗
10:	*10.6 ↗
Series	100.0
Total	100.0



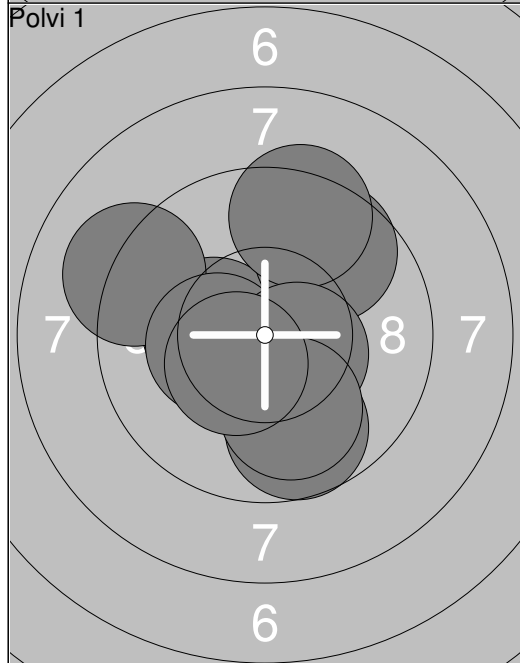
11:	*10.5 →
12:	*10.7 ↘
13:	*10.2 →
14:	*10.6 ↘
15:	*10.4 →
16:	10.0 ↓
17:	*10.8 ↘
18:	*10.8 ↑
19:	*10.5 →
20:	*10.6 ↘
Series	100.0
Total	200.0



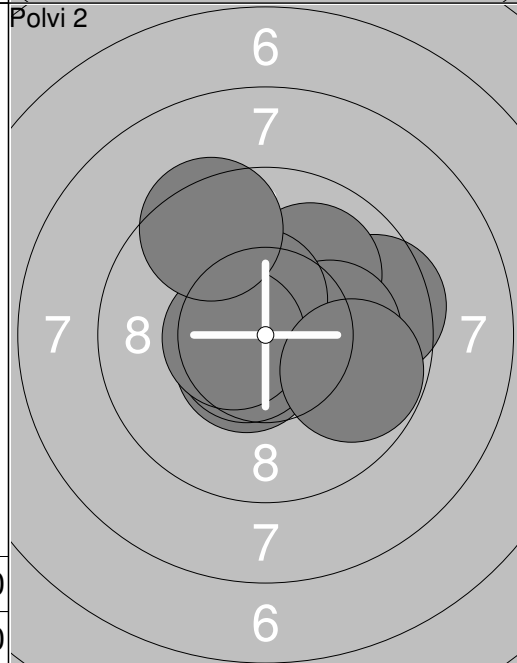
1:	9.5 ↓
2:	10.0 ↓
3:	*10.2 →
4:	9.7 ↓
5:	9.5 ←
6:	*10.4 →
7:	*10.6 ↑
8:	9.5 →
9:	*10.7 ↘
10:	9.8 →
Series	95.0
Total	295.0



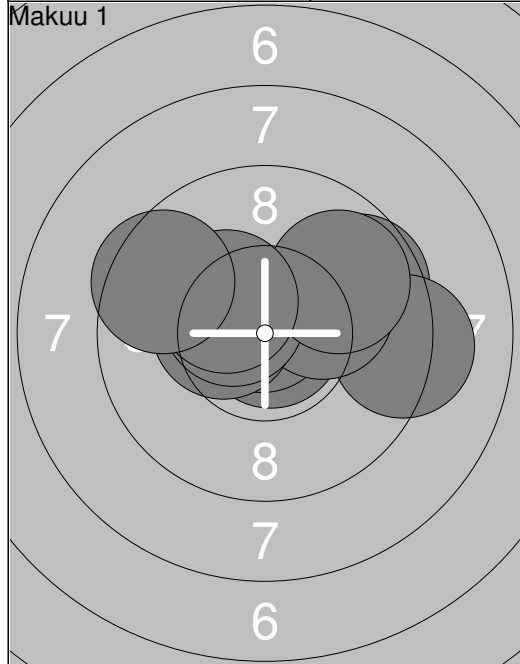
11:	9.2 →
12:	9.3 →
13:	9.1 →
14:	*10.8 ↘
15:	9.7 ↗
16:	*10.3 ↘
17:	9.7 ←
18:	9.0 ↓
19:	9.8 ↑
20:	9.8 →
Series	92.0
Total	387.0



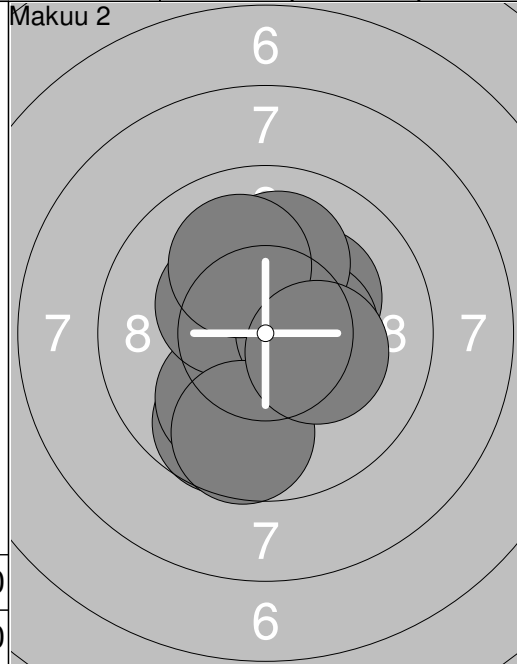
1:	*10.3 ←
2:	9.7 ↗
3:	9.1 ←
4:	9.4 ↑
5:	*10.3 ←
6:	*10.6 ↓
7:	*10.5 →
8:	9.7 ↓
9:	10.0 ↓
10:	*10.4 ↘
Series	96.0
Total	483.0



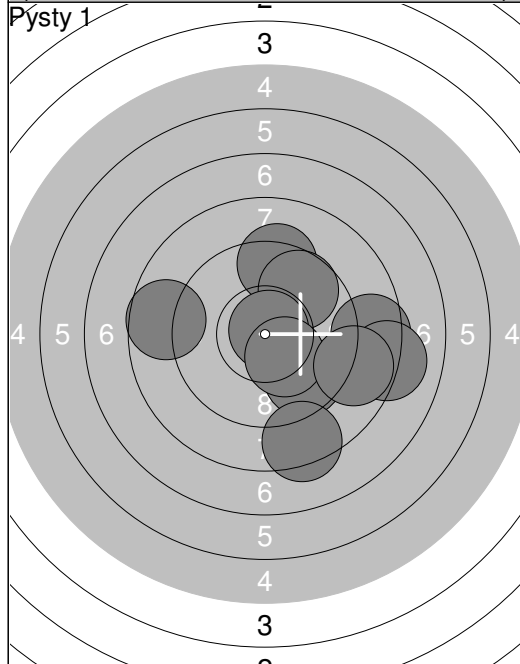
11:	9.5 →
12:	10.0 ↗
13:	*10.5 →
14:	*10.6 ↘
15:	*10.2 →
16:	*10.6 ↘
17:	*10.5 ↗
18:	*10.5 ←
19:	9.8 →
20:	9.5 ↑
Series	97.0
Total	580.0



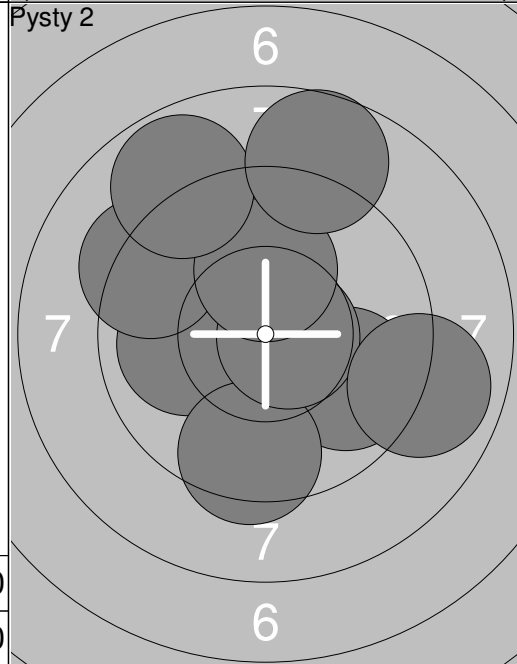
1:	9.6	➔
2:	*10.9	↘
3:	9.2	➔
4:	*10.8	↗
5:	*10.2	➔
6:	*10.4	↖
7:	*10.5	↘
8:	9.8	➔
9:	*10.3	↘
10:	9.5	↖
<b>Series</b>		<b>96.0</b>
<b>Total</b>		<b>96.0</b>



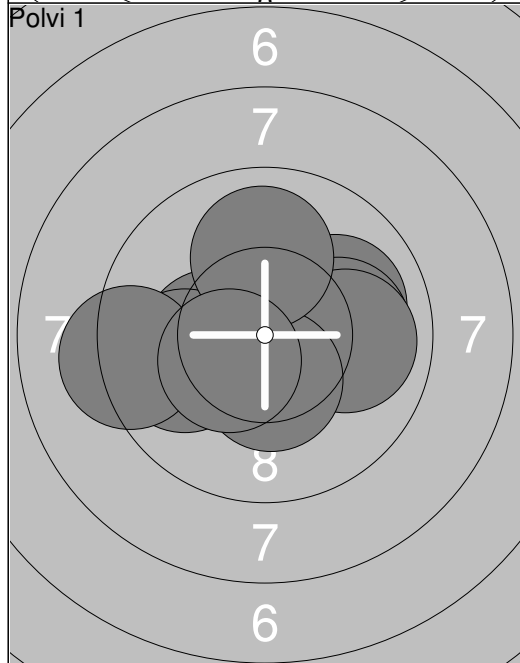
11:	*10.3	↗
12:	9.7	↘
13:	*10.9	↘
14:	10.0	↘
15:	*10.3	↘
16:	*10.4	➔
17:	10.1	↗
18:	10.0	↗
19:	9.7	↘
20:	*10.2	➔
<b>Series</b>		<b>98.0</b>
<b>Total</b>		<b>194.0</b>



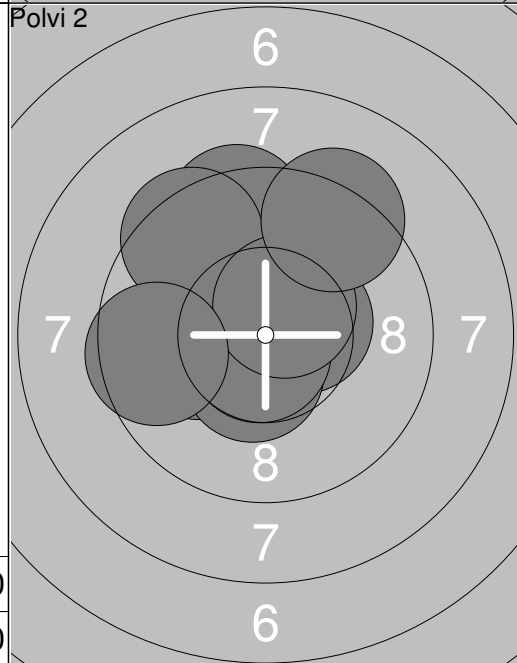
1:	9.3	↗
2:	8.7	↖
3:	8.6	➔
4:	8.1	➔
5:	9.7	↗
6:	9.7	↘
7:	8.4	↘
8:	*10.8	↗
9:	*10.3	↘
10:	8.8	➔
<b>Series</b>		<b>87.0</b>
<b>Total</b>		<b>281.0</b>



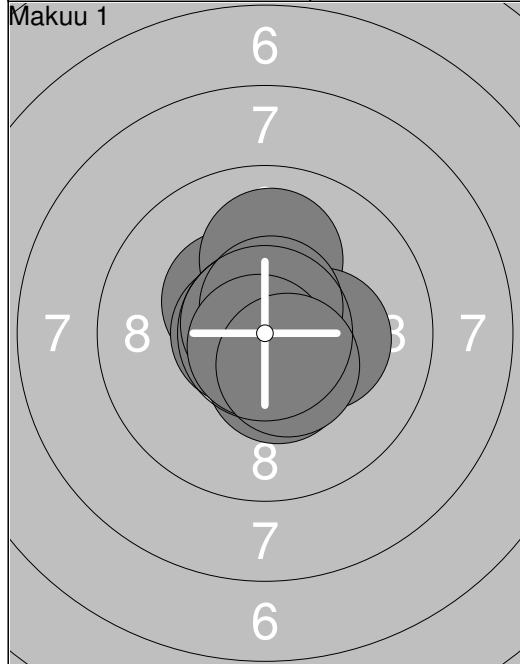
11:	*10.7	↘
12:	10.0	↖
13:	9.8	➔
14:	9.5	↘
15:	9.3	↖
16:	*10.7	➔
17:	*10.2	↗
18:	8.9	➔
19:	8.8	↗
20:	8.7	↗
<b>Series</b>		<b>91.0</b>
<b>Total</b>		<b>372.0</b>



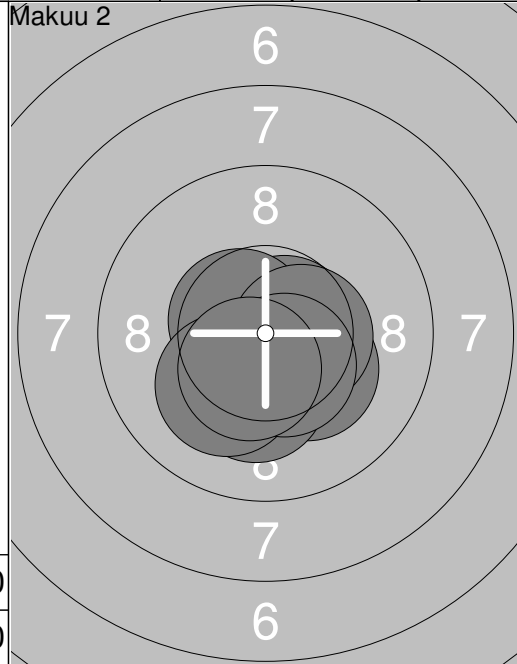
1:	*10.7	↘
2:	*10.3	↖
3:	10.0	➔
4:	10.0	➔
5:	9.9	➔
6:	9.9	↖
7:	*10.4	↘
8:	9.2	↖
9:	10.0	↗
10:	*10.4	↘
<b>Series</b>		<b>97.0</b>
<b>Total</b>		<b>469.0</b>



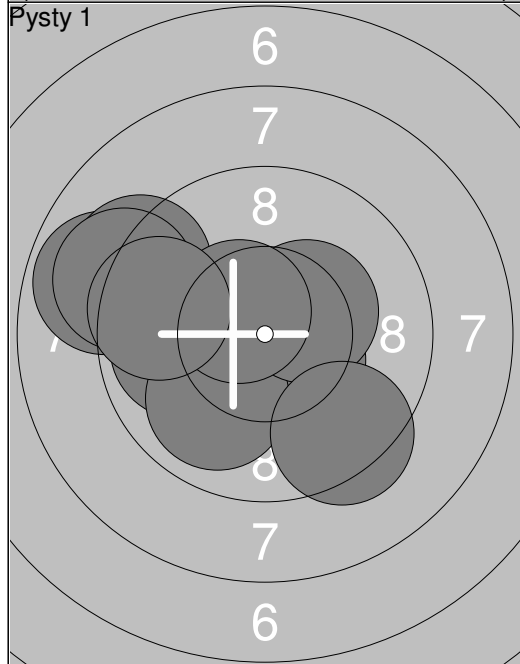
11:	*10.2	↖
12:	10.1	↖
13:	9.4	↗
14:	*10.5	➔
15:	*10.5	↘
16:	*10.7	↘
17:	9.4	↖
18:	*10.5	↗
19:	9.6	↖
20:	9.3	↗
<b>Series</b>		<b>96.0</b>
<b>Total</b>		<b>565.0</b>



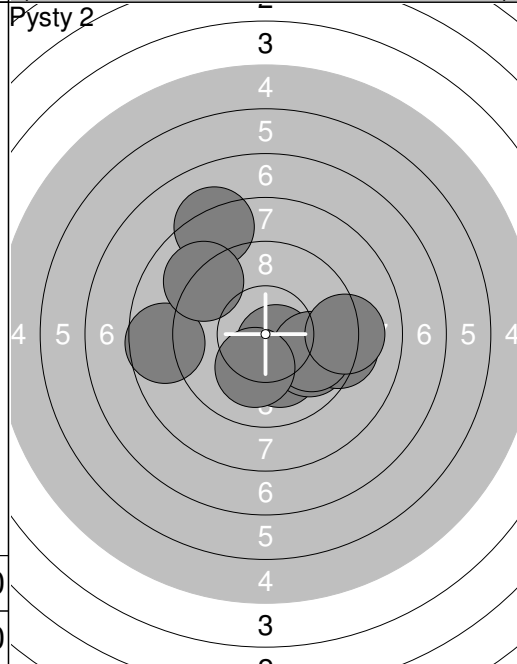
1:	*10.4 ↘
2:	10.0 ↑
3:	*10.4 ↓
4:	*10.3 →
5:	*10.7 ←
6:	*10.9 ↘
7:	*10.7 ↘
8:	*10.6 ↑
9:	*10.8 ↓
10:	*10.5 ↘
<b>Series</b>	<b>100.0</b>
<b>Total</b>	<b>100.0</b>



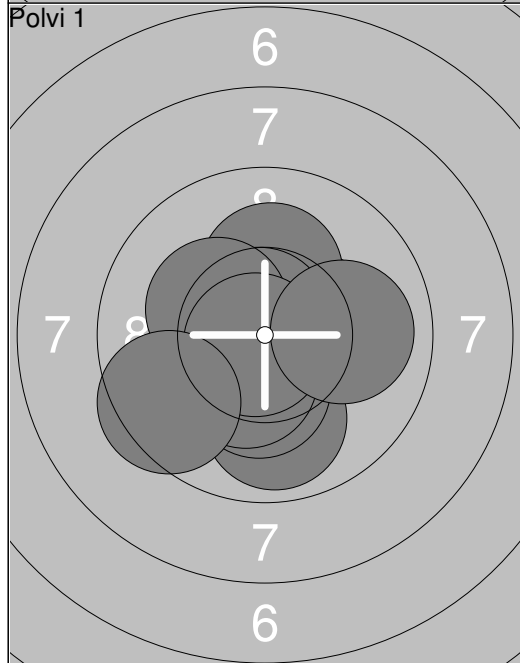
11:	*10.7 ↓
12:	*10.7 →
13:	*10.6 ↘
14:	*10.6 ↘
15:	*10.3 ↘
16:	*10.5 →
17:	*10.2 ↓
18:	10.1 ↙
19:	*10.5 ↓
20:	*10.5 ↓
<b>Series</b>	<b>100.0</b>
<b>Total</b>	<b>200.0</b>



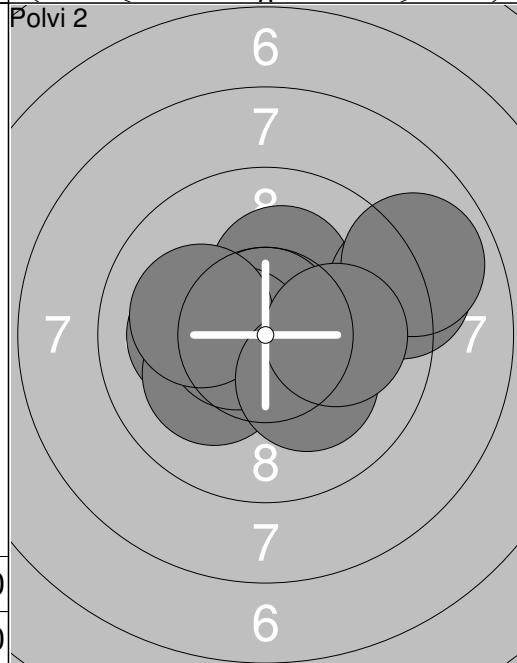
1:	*10.5 ↘
2:	8.8 ←
3:	9.2 ↙
4:	9.9 ←
5:	10.0 ↓
6:	*10.4 →
7:	*10.5 ↘
8:	9.1 ←
9:	9.6 ←
10:	9.4 ↓
<b>Series</b>	<b>93.0</b>
<b>Total</b>	<b>293.0</b>



11:	8.7 ←
12:	10.1 ↓
13:	9.8 →
14:	*10.6 ↘
15:	9.3 →
16:	9.8 →
17:	8.2 ↑
18:	9.1 →
19:	*10.2 ↓
20:	9.1 ↙
<b>Series</b>	<b>91.0</b>
<b>Total</b>	<b>384.0</b>

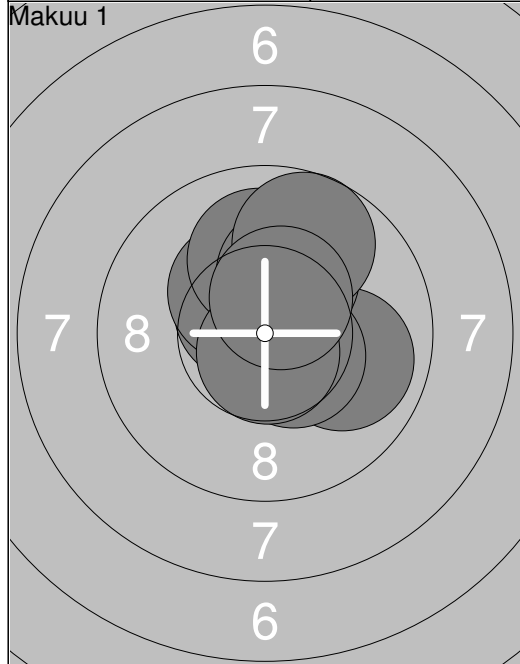


1:	9.9 ↓
2:	*10.3 ↓
3:	*10.4 →
4:	*10.4 ↓
5:	*10.2 ↑
6:	*10.7 ↗
7:	*10.3 ↘
8:	*10.8 ↓
9:	10.0 →
10:	9.5 ←
<b>Series</b>	<b>98.0</b>
<b>Total</b>	<b>482.0</b>

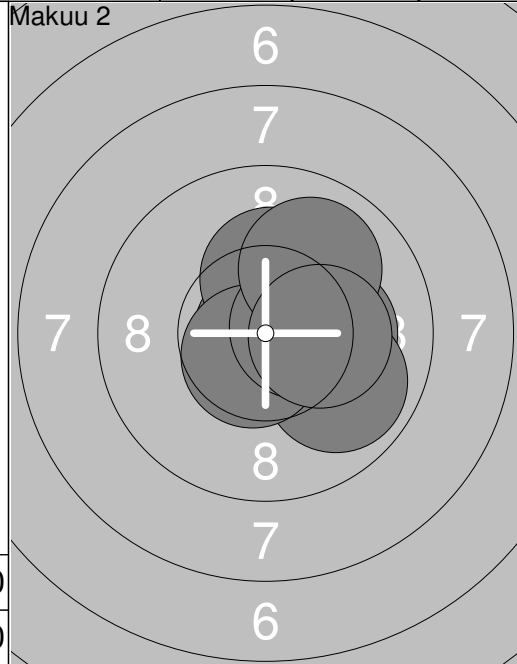


11:	*10.2 ↑
12:	10.1 ←
13:	*10.7 ↑
14:	9.2 →
15:	8.9 →
16:	*10.2 ↘
17:	*10.6 ←
18:	10.1 ←
19:	*10.2 ↓
20:	10.1 →
<b>Series</b>	<b>97.0</b>
<b>Total</b>	<b>579.0</b>

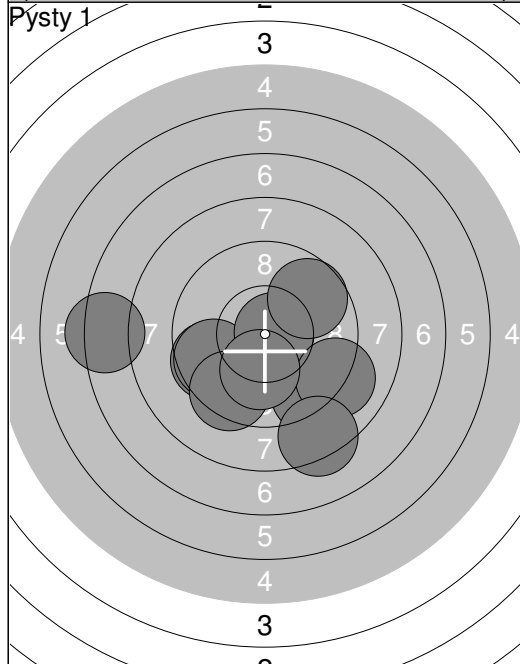




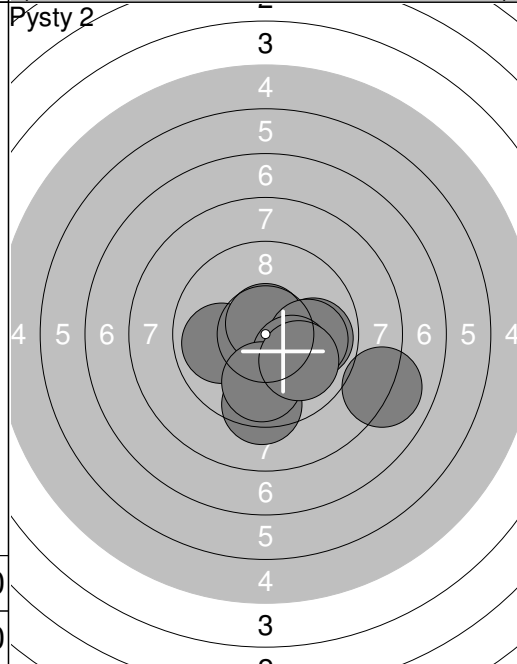
1: *10.6 ↘
2: *10.3 ↘
3: *10.6 →
4: 9.9 →
5: *10.5 ↘
6: 10.0 ↑
7: *10.2 ↑
8: 9.7 ↗
9: *10.7 ↓
10: *10.5 ↗
Series 98.0
Total 98.0



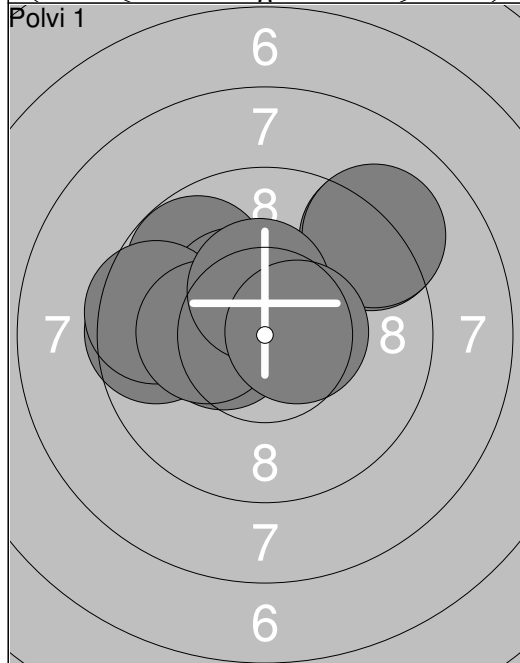
11: *10.9
12: *10.2 →
13: *10.6 ↗
14: 9.9 ↘
15: *10.4 ↗
16: *10.3 ↗
17: *10.6 ↘
18: *10.5 →
19: 10.0 ↗
20: *10.3 →
Series 99.0
Total 197.0



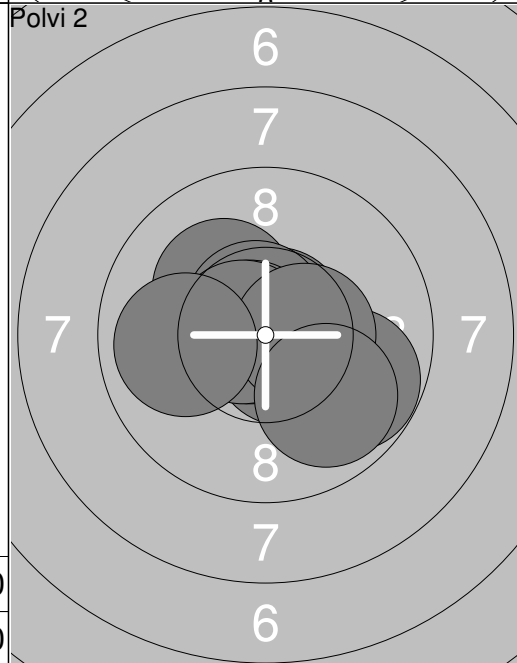
1: 9.3 ↘
2: 9.6 ←
3: 9.7 ←
4: *10.7 →
5: 9.4 ↘
6: 7.3 ←
7: 9.0 →
8: 9.7 ↗
9: 10.1 ↓
10: 8.3 ↘
Series 89.0
Total 286.0



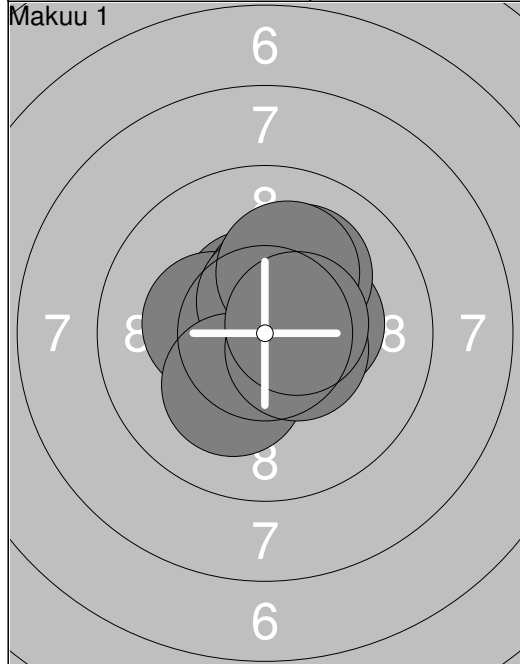
11: *10.3 ↘
12: 9.9 ←
13: *10.7 ↑
14: 9.3 ↓
15: 9.9 →
16: 10.0 →
17: *10.2 ↘
18: 9.9 ↓
19: 10.0 ↘
20: 8.1 →
Series 94.0
Total 380.0



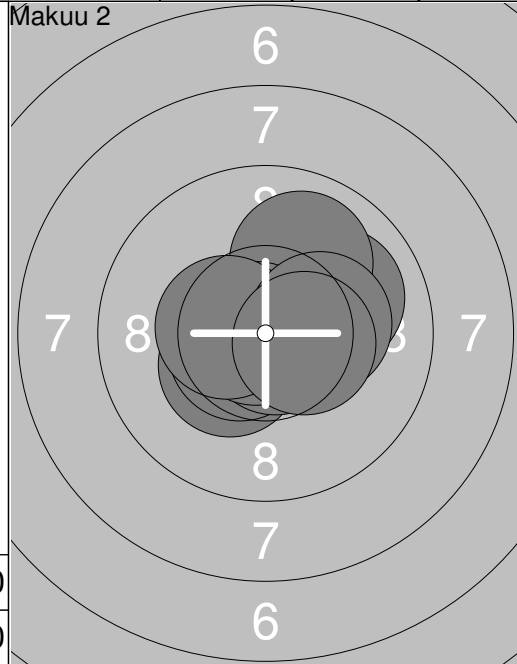
1: 9.2 ↗
2: 9.8 ↗
3: *10.4 ↘
4: 9.6 ←
5: *10.4 ←
6: 9.6 ←
7: *10.2 ←
8: 9.1 ↗
9: *10.4 ↑
10: *10.5 →
Series 95.0
Total 475.0



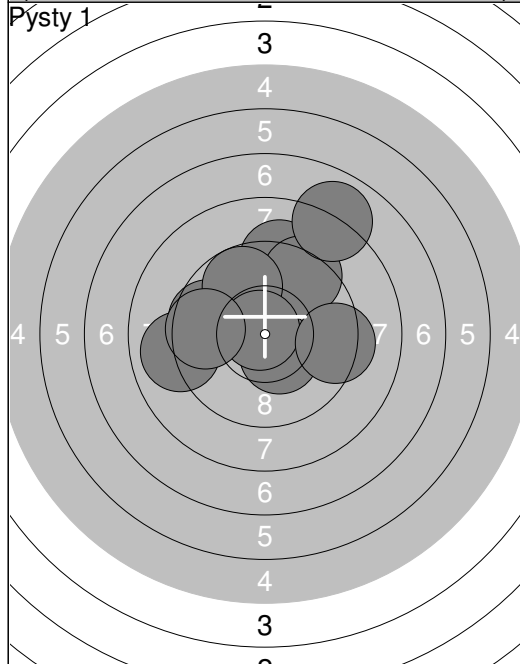
11: *10.7 ↗
12: *10.6 ↘
13: 9.8 ↘
14: *10.2 ↘
15: *10.6 ↘
16: *10.8 ←
17: *10.7 ←
18: *10.5 →
19: 9.9 ↘
20: 9.9 ←
Series 97.0
Total 572.0



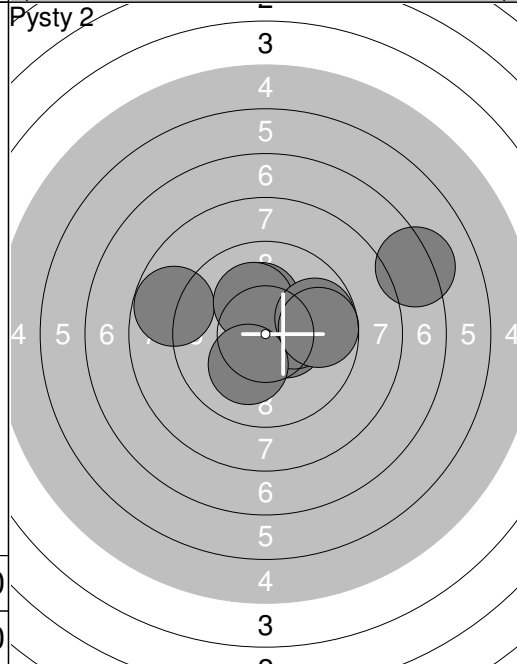
1: *10.5 ↖
2: *10.3 ➔
3: *10.3 ↙
4: 10.1 ↗
5: *10.4 ↗
6: *10.5 ↗
7: *10.2 ↘
8: 10.1 ↗
9: *10.5 ➔
10: *10.5 ➔
Series 100.0
Total 100.0



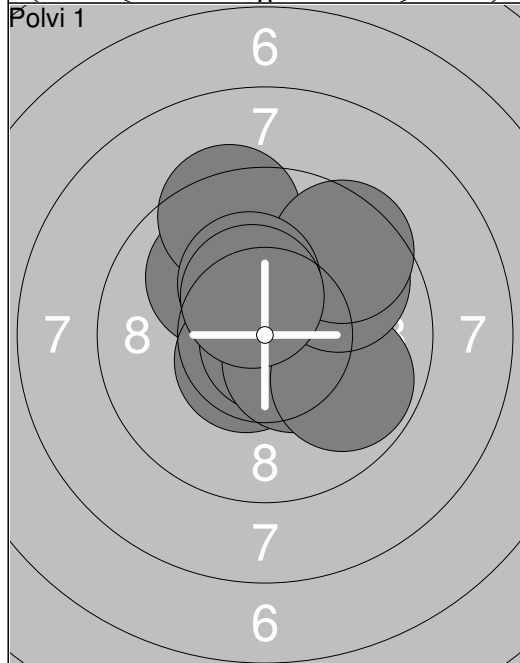
11: 10.0 ➔
12: *10.3 ↘
13: *10.5 ↗
14: *10.6 ↘
15: 10.0 ↗
16: *10.8 ↘
17: *10.8 ↙
18: *10.5 ↙
19: *10.3 ➔
20: *10.5 ➔
Series 100.0
Total 200.0



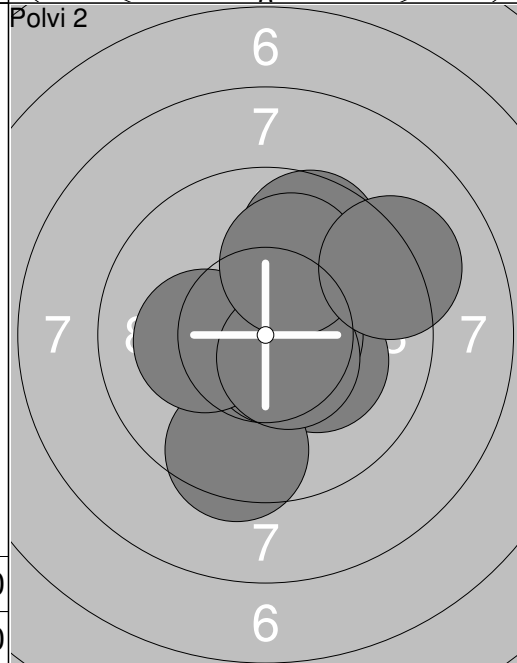
1: 9.2 ↗
2: 9.6 ↙
3: 9.4 ↗
4: 8.0 ↗
5: 9.8 ↗
6: *10.4 ↘
7: 9.0 ↙
8: *10.8 ↙
9: 9.6 ↙
10: 9.3 ➔
Series 91.0
Total 291.0



11: *10.5 ➔
12: 8.8 ↙
13: *10.5 ↗
14: *10.3 ➔
15: 7.2 ➔
16: *10.2 ↗
17: *10.2 ↘
18: 9.8 ➔
19: *10.2 ↘
20: 9.7 ➔
Series 93.0
Total 384.0



1: 10.0 ↖
2: 9.4 ↗
3: *10.6 ↘
4: *10.8 ↘
5: *10.4 ↘
6: 9.8 ➔
7: 9.8 ↗
8: 9.5 ↗
9: *10.3 ↗
10: *10.4 ↗
Series 96.0
Total 480.0



11: 9.6 ↗
12: *10.2 ➔
13: *10.6 ➔
14: 9.5 ↘
15: *10.7 ↘
16: *10.2 ↗
17: *10.2 ↙
18: *10.6 ↘
19: 10.0 ↗
20: 9.2 ➔
Series 97.0
Total 577.0