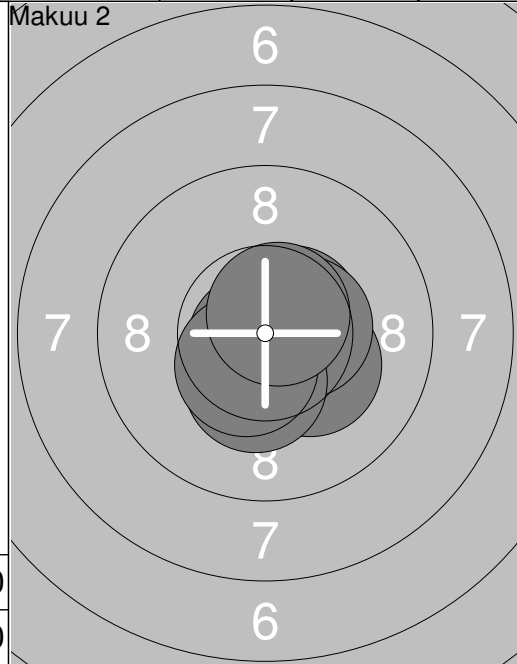
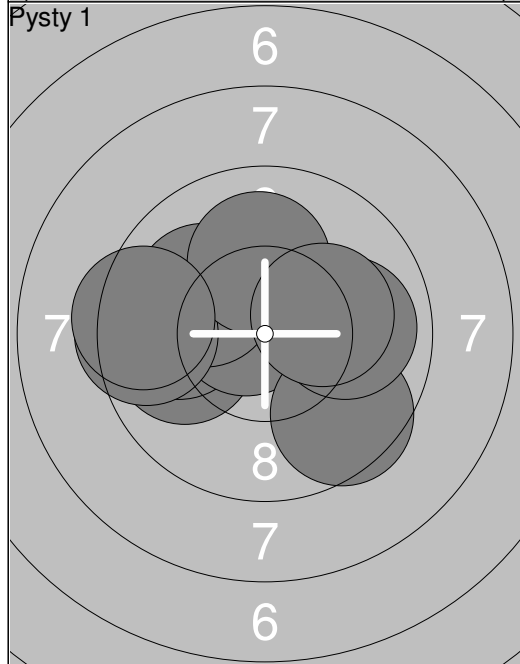


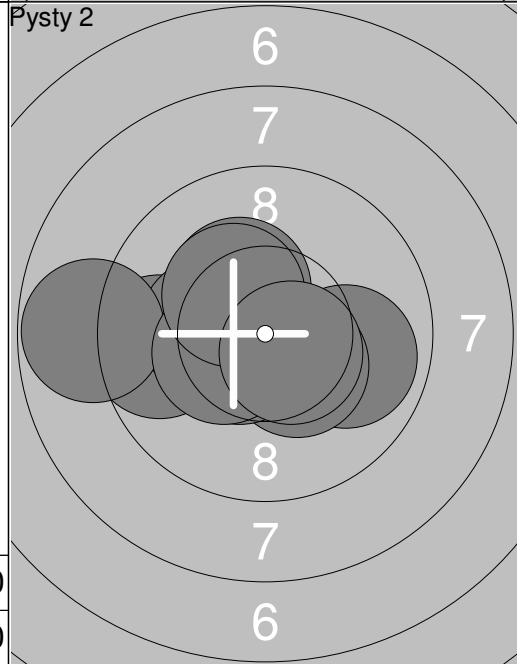
1:	*10.4 ↗
2:	*10.6 ↗
3:	*10.3 ↗
4:	*10.2 ↘
5:	9.9 ↑
6:	*10.9 ↗
7:	*10.5 ↘
8:	*10.5 →
9:	*10.4 ↗
10:	*10.4 ↘
Series	99.0
Total	99.0



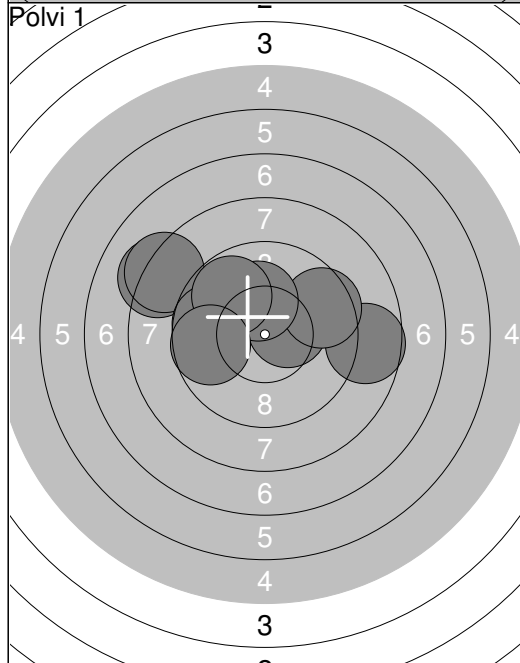
11:	*10.6 ↗
12:	*10.4 ↘
13:	*10.8 ↘
14:	*10.8 ↗
15:	*10.6 ↘
16:	*10.3 ↘
17:	*10.5 →
18:	*10.3 ↘
19:	*10.5 ↘
20:	*10.7 ↗
Series	100.0
Total	199.0



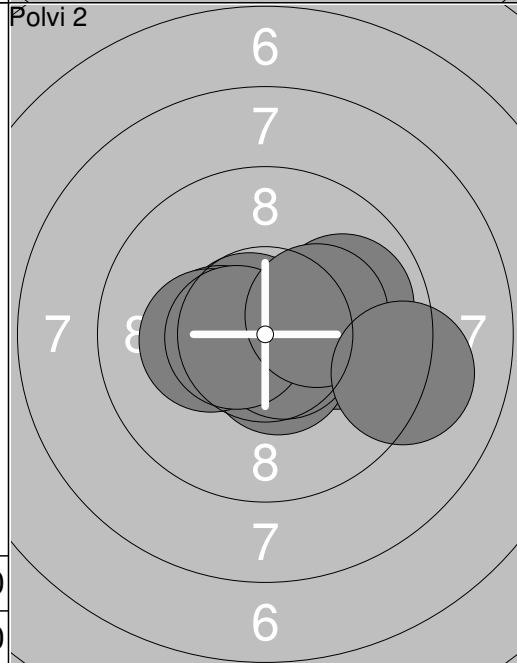
1:	9.9 ←
2:	9.9 ←
3:	*10.7 ↘
4:	10.1 ↘
5:	9.5 ←
6:	10.1 ↑
7:	9.4 ←
8:	9.6 ↘
9:	9.9 →
10:	*10.2 →
Series	94.0
Total	293.0



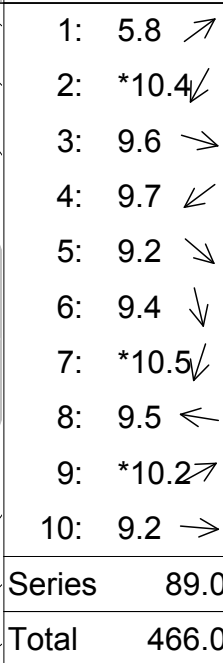
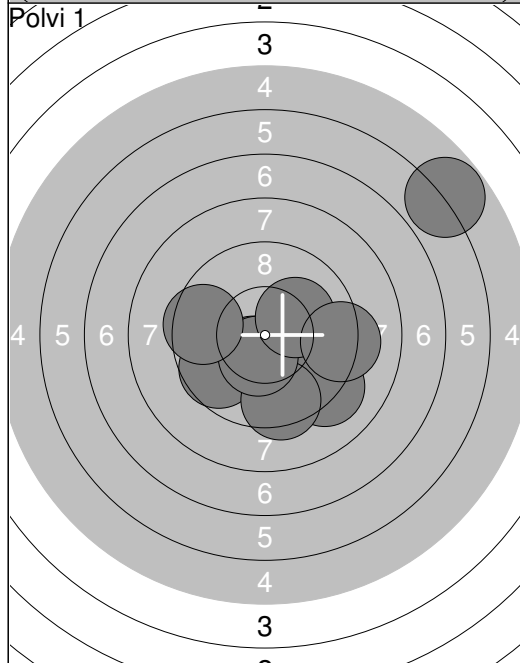
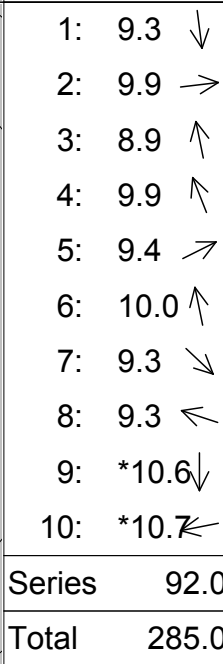
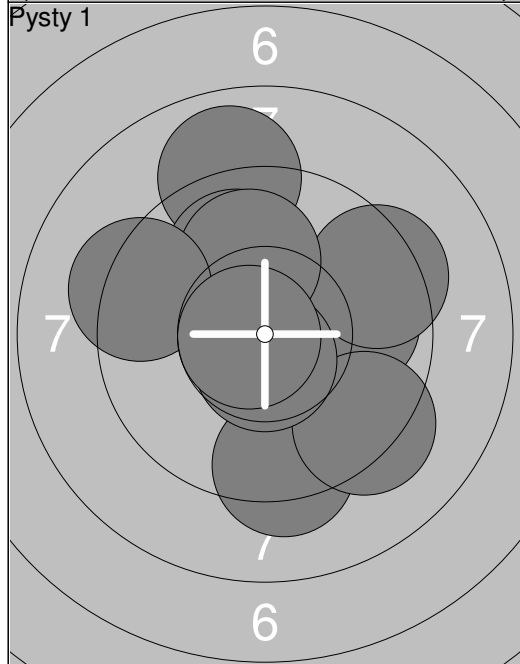
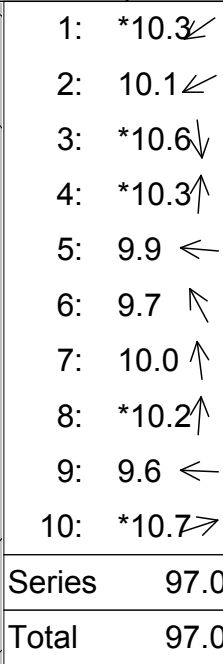
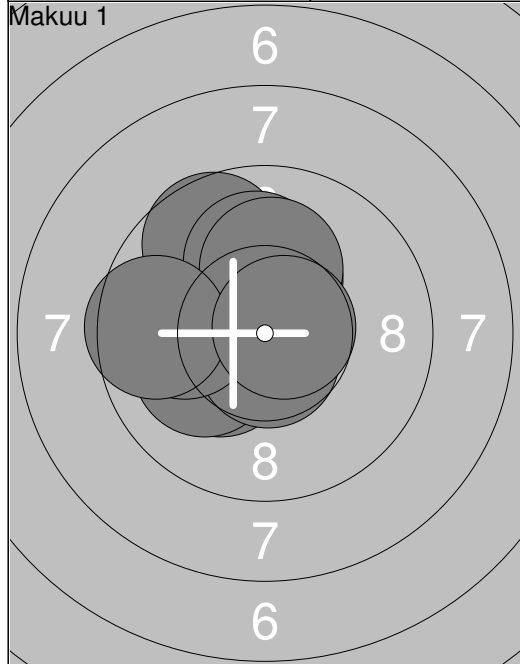
11:	9.6 ←
12:	*10.3 ↘
13:	9.9 →
14:	*10.4 ↘
15:	8.8 ←
16:	*10.5 ↘
17:	*10.4 ↘
18:	*10.3 ↗
19:	*10.3 ↗
20:	*10.5 ↘
Series	96.0
Total	389.0

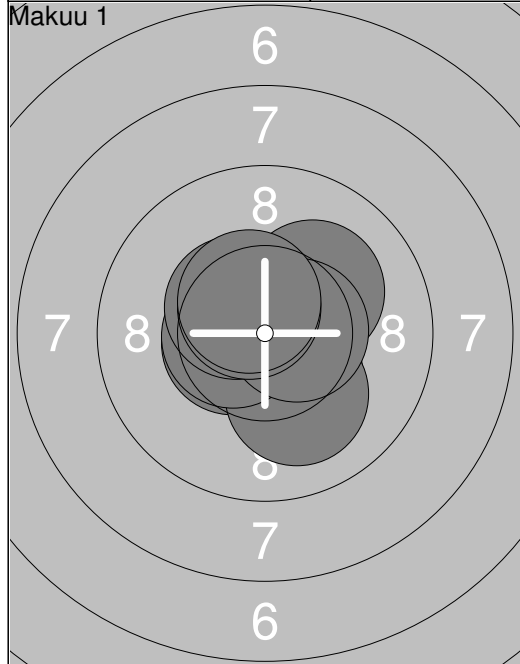


1:	8.2 ←
2:	9.9 ←
3:	*10.4 →
4:	8.3 ←
5:	9.7 ←
6:	8.7 →
7:	9.5 →
8:	*10.2 ↗
9:	9.8 ↗
10:	9.7 ←
Series	89.0
Total	478.0

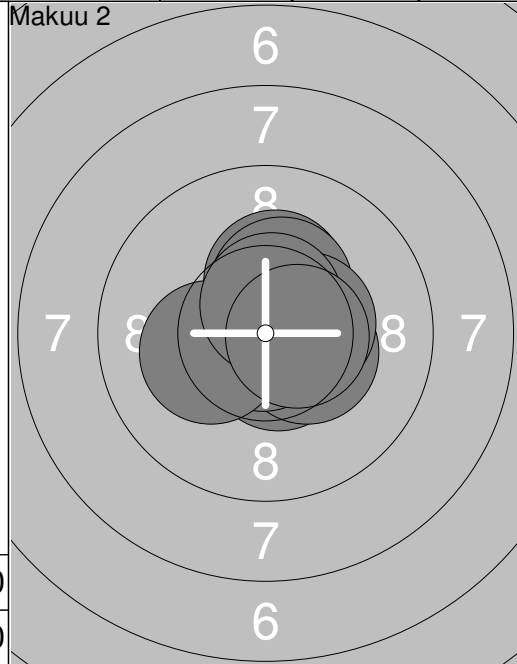


11:	10.1 →
12:	*10.7 ↘
13:	9.9 →
14:	*10.6 ↘
15:	*10.4 ←
16:	*10.7 ↘
17:	*10.3 ↘
18:	*10.6 ←
19:	*10.3 →
20:	9.2 →
Series	98.0
Total	576.0

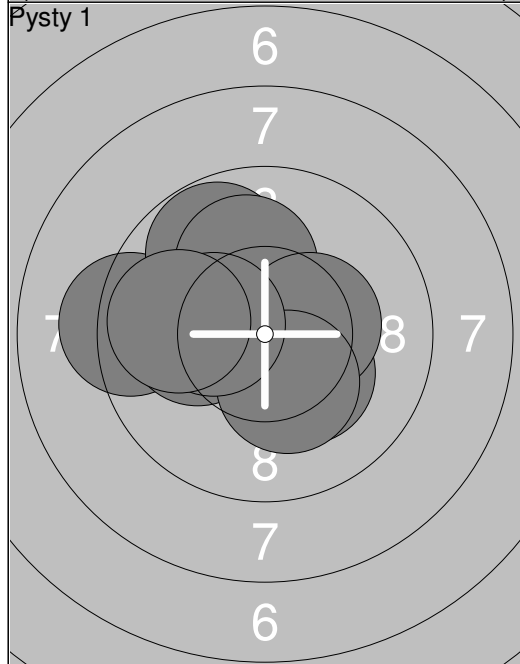




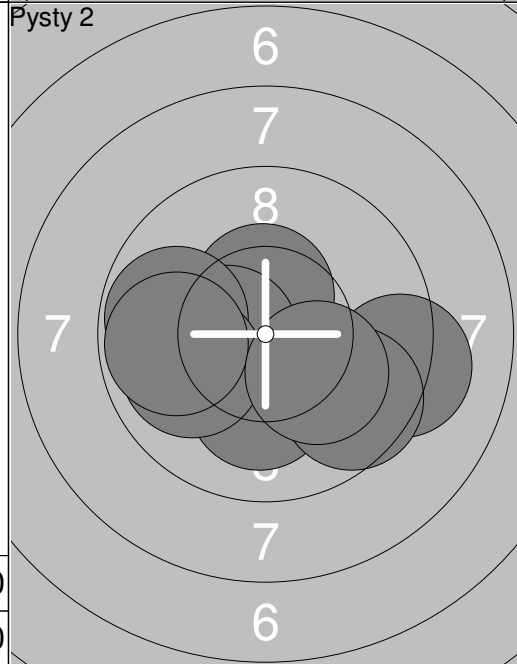
1:	*10.4 ↘
2:	*10.7 ↘
3:	*10.5 ↙
4:	10.1 ↘
5:	*10.2 ↗
6:	*10.5 ↙
7:	*10.5 ↙
8:	*10.6 →
9:	*10.6 ↘
10:	*10.5 ↗
Series 100.0	
Total 100.0	



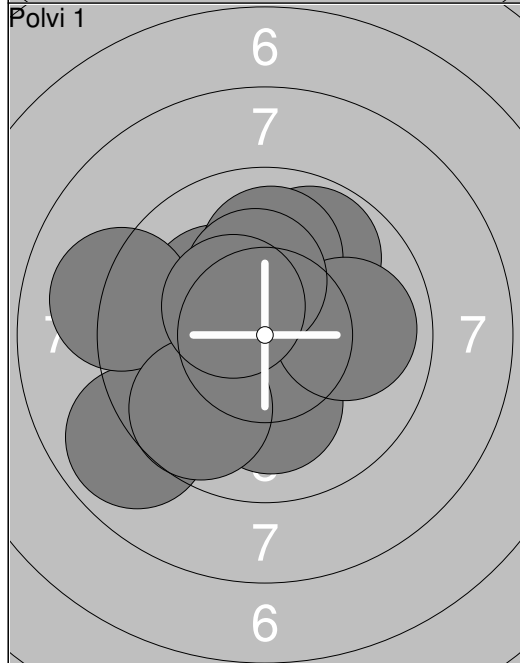
11:	*10.7 ↘
12:	*10.6 ↘
13:	*10.4 →
14:	*10.9 ↘
15:	*10.3 ↑
16:	*10.4 ↑
17:	*10.2 ↙
18:	*10.5 →
19:	*10.6 ↑
20:	*10.6 →
Series 100.0	
Total 200.0	



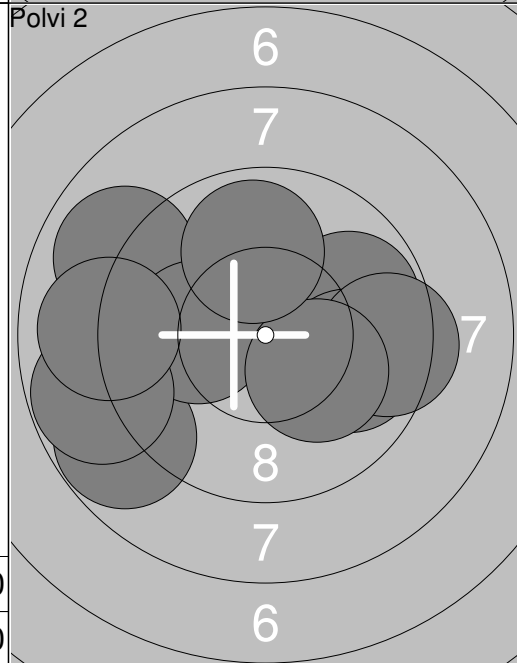
1:	9.3 ←
2:	*10.3 ↘
3:	9.8 ↗
4:	*10.7 ↘
5:	10.1 ↑
6:	10.1 ←
7:	*10.4 →
8:	*10.3 ↘
9:	*10.3 ↙
10:	9.9 ←
Series 97.0	
Total 297.0	



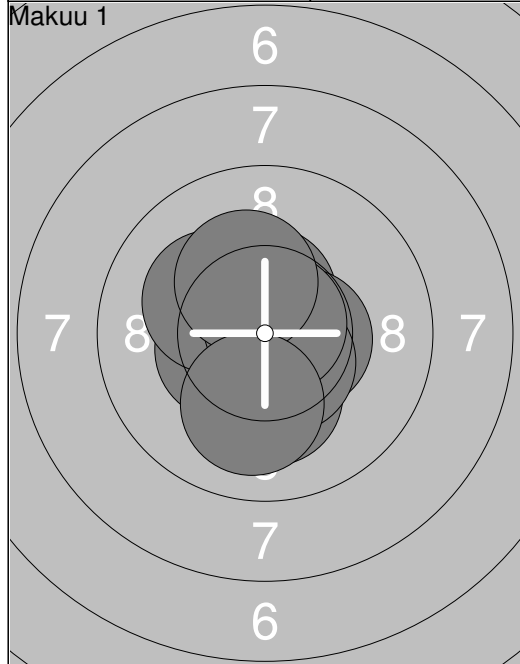
11:	9.2 →
12:	*10.2 ↘
13:	*10.5 ↑
14:	*10.2 ↘
15:	*10.5 ↙
16:	9.8 ←
17:	10.0 ↙
18:	9.8 ←
19:	9.6 ↘
20:	10.1 ↘
Series 96.0	
Total 393.0	



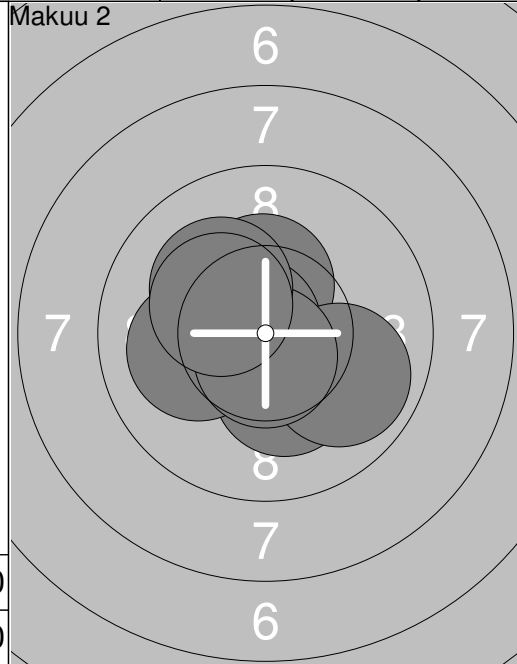
1:	*10.2 ↙
2:	8.9 ↙
3:	9.1 ←
4:	9.8 ↗
5:	10.1 ↘
6:	10.0 ↑
7:	9.9 →
8:	9.7 ↙
9:	*10.2 ↑
10:	*10.4 ↙
Series 94.0	
Total 487.0	



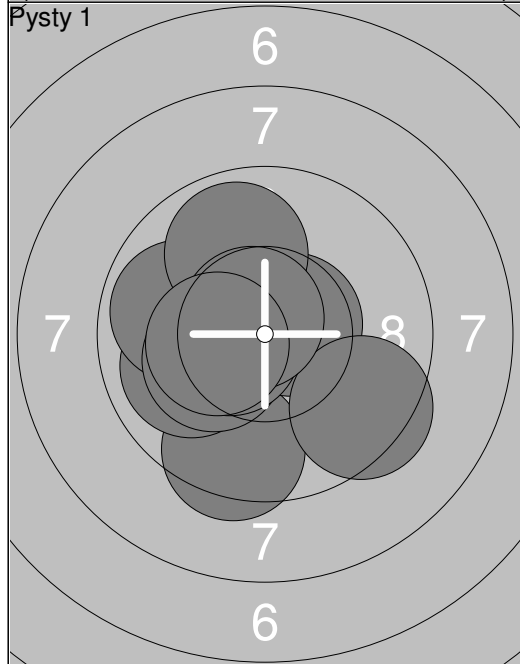
11:	9.8 →
12:	8.8 ↙
13:	9.9 →
14:	9.0 ↙
15:	10.1 ←
16:	9.4 →
17:	*10.2 ↘
18:	8.8 ←
19:	9.9 ↑
20:	9.0 ←
Series 90.0	
Total 577.0	



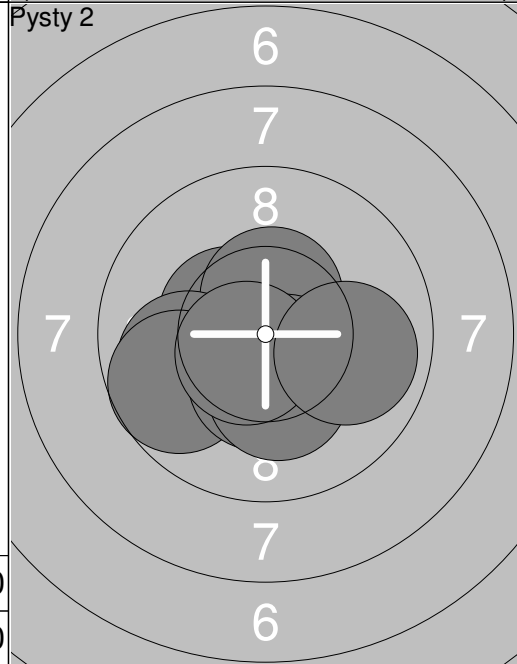
1:	*10.6	↘
2:	*10.4	←
3:	*10.2	↓
4:	*10.5	↑
5:	*10.5	→
6:	*10.5	↘
7:	*10.2	↖
8:	*10.8	↗
9:	*10.3	↗
10:	10.1	↓
Series		100.0
Total		100.0



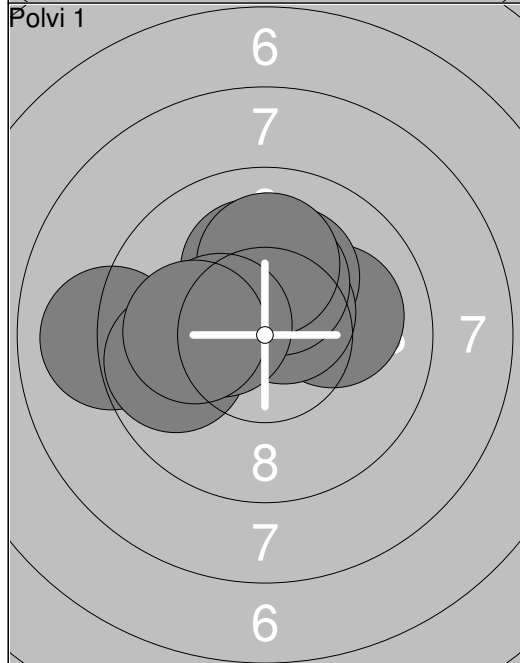
11:	*10.8	↓
12:	*10.4	↑
13:	*10.4	↖
14:	*10.7	↖
15:	*10.3	↓
16:	9.9	→
17:	10.1	←
18:	*10.7	↓
19:	*10.2	↖
20:	*10.3	↖
Series		99.0
Total		199.0



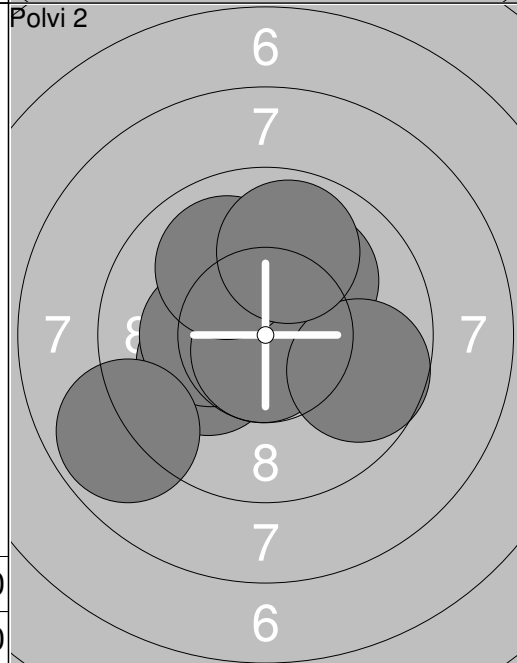
1:	9.5	↓
2:	9.9	←
3:	9.9	←
4:	*10.6	→
5:	9.5	↘
6:	*10.2	↖
7:	*10.5	↖
8:	9.9	↑
9:	*10.7	↖
10:	*10.3	↖
Series		95.0
Total		294.0



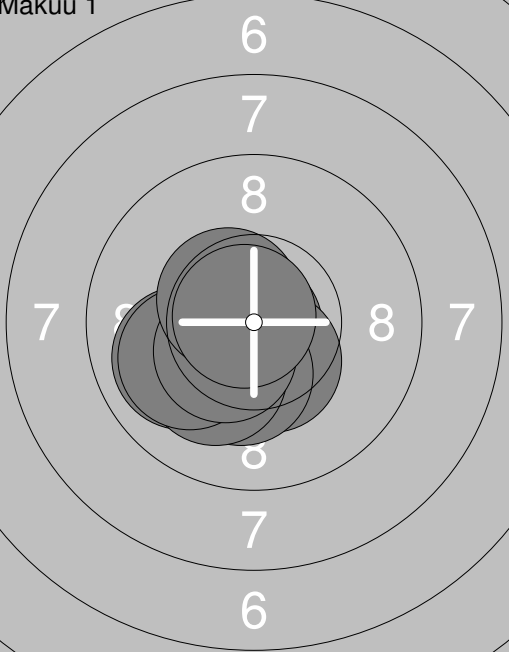
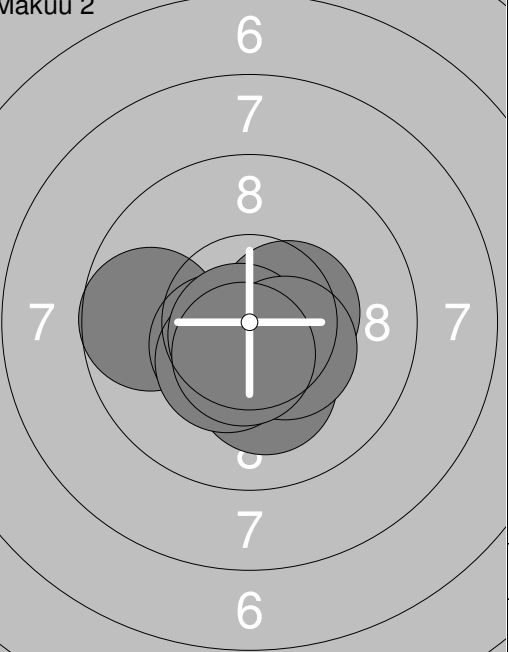
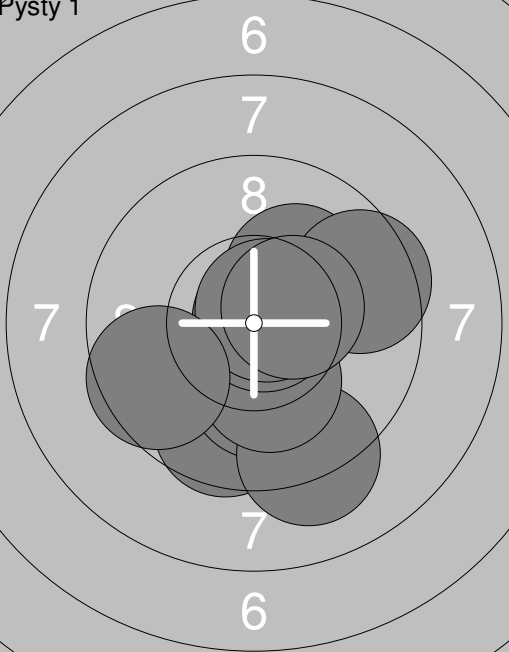
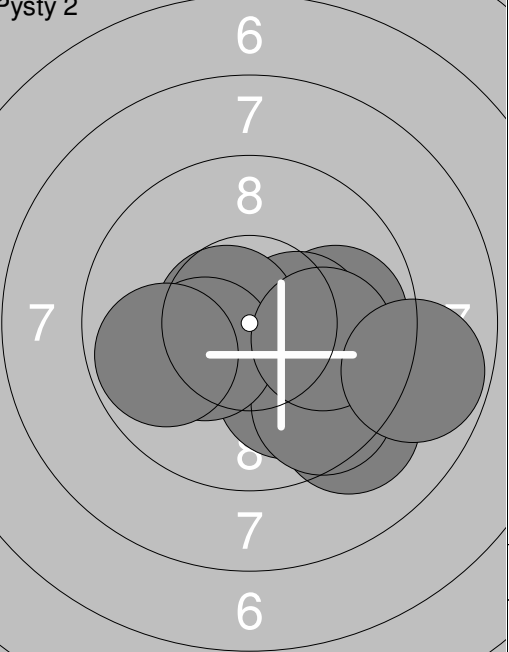
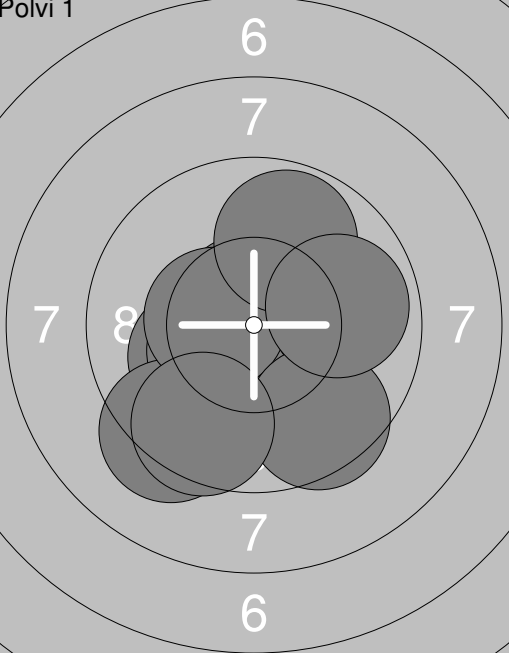
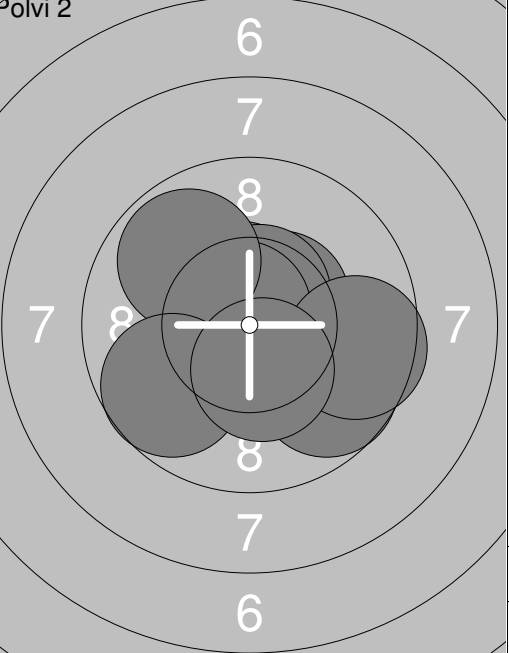
11:	*10.5	↖
12:	*10.5	↑
13:	*10.5	↘
14:	9.9	←
15:	9.9	←
16:	9.7	←
17:	*10.4	↓
18:	*10.3	↓
19:	*10.6	↘
20:	9.9	→
Series		96.0
Total		390.0

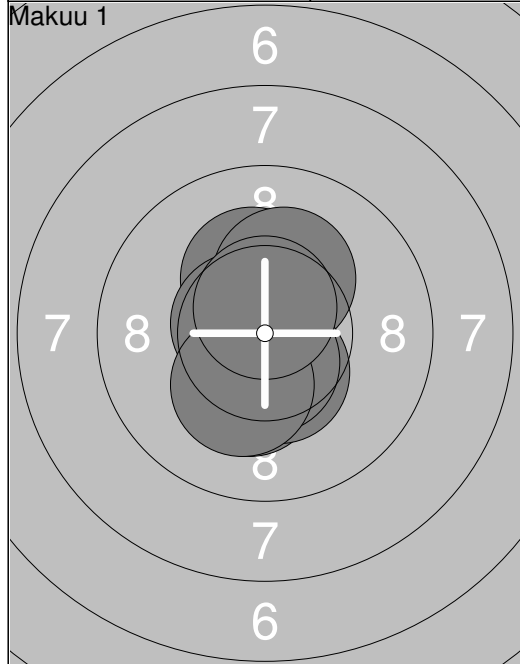


1:	10.1	→
2:	*10.2	↑
3:	*10.6	↗
4:	10.1	↑
5:	9.0	←
6:	*10.3	↑
7:	10.1	↑
8:	9.8	←
9:	*10.4	↖
10:	10.1	←
Series		98.0
Total		488.0

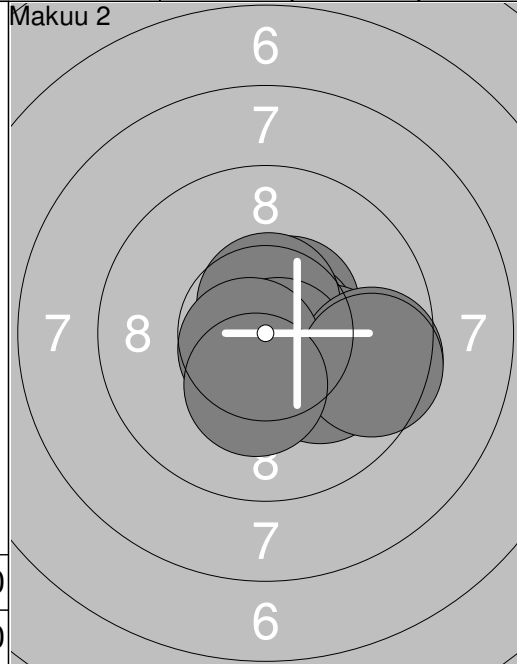


11:	10.1	↗
12:	*10.4	↖
13:	*10.2	↖
14:	*10.3	↖
15:	8.9	←
16:	*10.8	↗
17:	*10.7	↓
18:	9.7	→
19:	10.0	↗
20:	9.9	↑
Series		96.0
Total		584.0

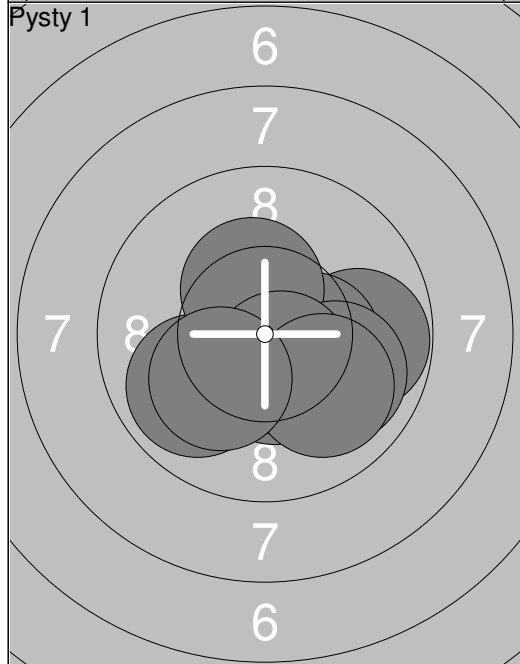
Relay	Lane	Aina Kivi		
3	15			
ilmakivääri		ESF	N	
23.-24.03.2013		IK 3*20ls asento SM-kilpailut	Kankaanpään Ampumaurheilijat	
Makuu 1		1: 10.0 ↙ 2: *10.9 ↘ 3: *10.4 ↘ 4: *10.4 ↘ 5: *10.3 ↘ 6: *10.2 ↘ 7: 10.0 ↙ 8: *10.4 ↘ 9: *10.5 ↘ 10: *10.8 ↘ Series 100.0 Total 100.0	Makuu 2	 11: *10.5 ↘ 12: 9.7 ← 13: *10.5 ↘ 14: *10.7 ↘ 15: *10.2 ↘ 16: *10.5 → 17: *10.4 ↘ 18: *10.8 ↘ 19: *10.4 ↘ 20: *10.5 ↘ Series 99.0 Total 199.0
Pysty 1		1: *10.2 ↗ 2: 9.6 ↓ 3: *10.2 ↓ 4: 9.2 ↓ 5: *10.2 ↓ 6: *10.8 → 7: 9.5 → 8: *10.7 ↗ 9: *10.4 → 10: 9.6 ← Series 96.0 Total 295.0	Pysty 2	 11: 9.9 → 12: *10.4 → 13: 10.0 ↓ 14: *10.7 ↖ 15: 9.2 ↓ 16: 9.6 ↓ 17: *10.3 ↘ 18: 9.8 ← 19: 10.0 → 20: 8.8 → Series 94.0 Total 389.0
Polvi 1		1: *10.2 ↘ 2: *10.4 ↘ 3: *10.7 ↗ 4: 10.0 ↓ 5: 9.3 ↓ 6: *10.5 ← 7: 9.5 ↓ 8: 9.5 ↓ 9: 9.8 ↗ 10: 9.9 → Series 95.0 Total 484.0	Polvi 2	 11: *10.5 ↗ 12: 9.7 ↘ 13: *10.5 ↗ 14: *10.8 ↘ 15: *10.6 ↗ 16: *10.8 ↖ 17: 9.8 ↖ 18: 9.7 ↘ 19: 9.6 → 20: *10.4 ↘ Series 96.0 Total 580.0



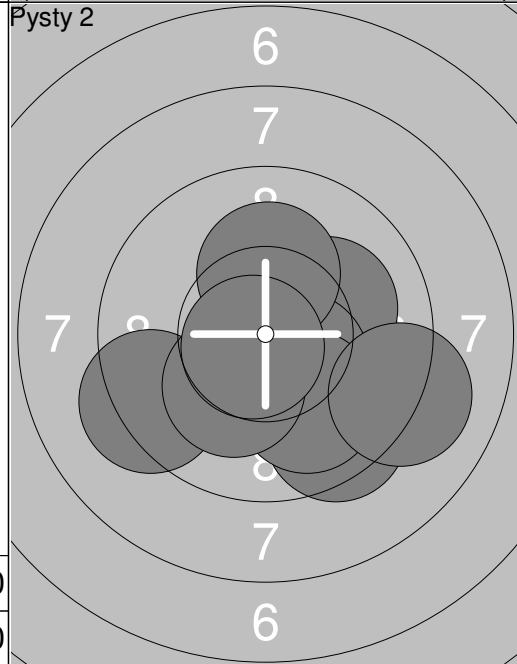
1:	*10.3	↗
2:	*10.2	↗
3:	*10.3	↘
4:	*10.6	↘
5:	*10.6	↘
6:	*10.4	↘
7:	*10.6	↘
8:	*10.6	↖
9:	*10.3	↘
10:	*10.6	↗
Series		100.0
Total		100.0



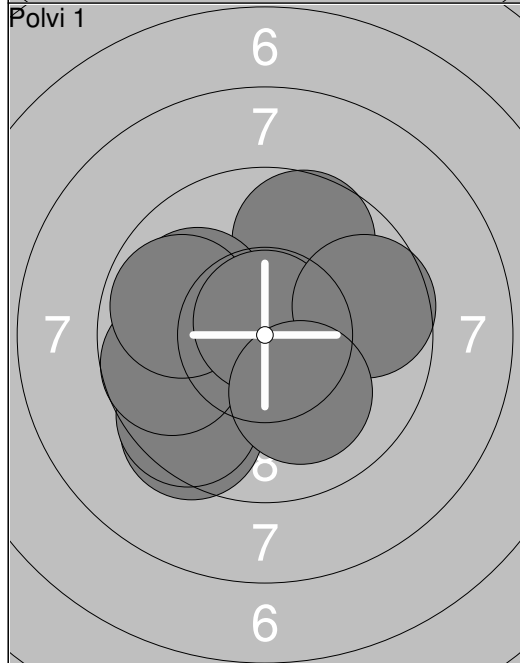
11:	*10.5	↗
12:	*10.7	→
13:	10.1	→
14:	*10.6	↗
15:	10.1	↘
16:	*10.7	↘
17:	9.6	→
18:	*10.7	↘
19:	9.6	→
20:	*10.3	↘
Series		98.0
Total		198.0



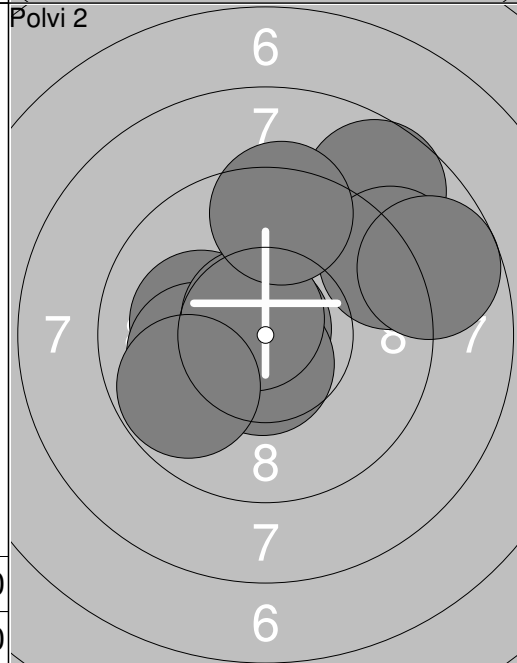
1:	9.9	↖
2:	*10.4	↘
3:	9.8	→
4:	*10.5	↘
5:	*10.4	→
6:	*10.4	↗
7:	9.9	→
8:	*10.5	↘
9:	10.0	↘
10:	*10.2	↘
Series		97.0
Total		295.0



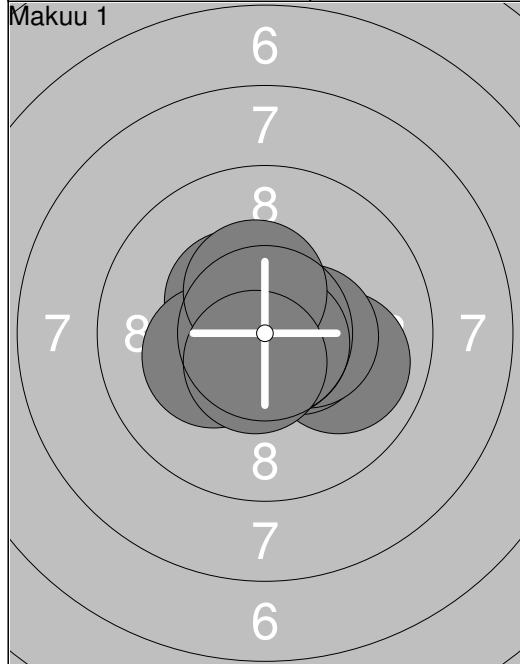
11:	*10.2	→
12:	9.3	↖
13:	10.1	→
14:	*10.4	↘
15:	*10.2	↗
16:	9.4	↘
17:	10.0	↘
18:	9.1	→
19:	*10.2	↘
20:	*10.7	↘
Series		97.0
Total		392.0



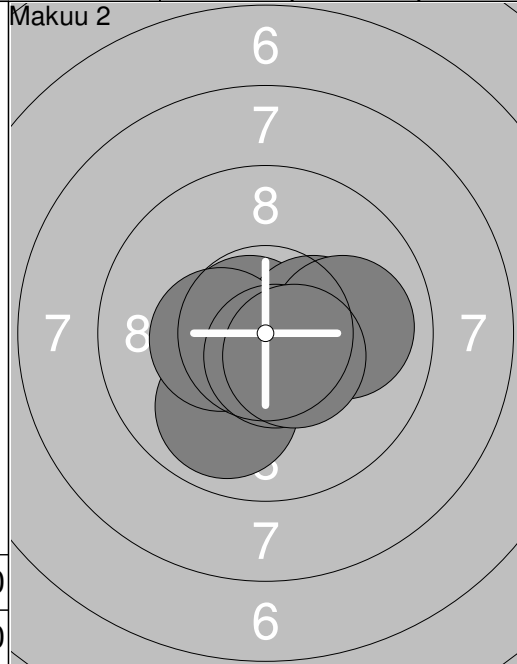
1:	*10.9	
2:	9.5	↖
3:	9.7	↗
4:	9.5	↖
5:	10.0	↖
6:	9.7	↖
7:	9.8	↖
8:	*10.8	↗
9:	9.7	→
10:	10.1	↘
Series		94.0
Total		486.0



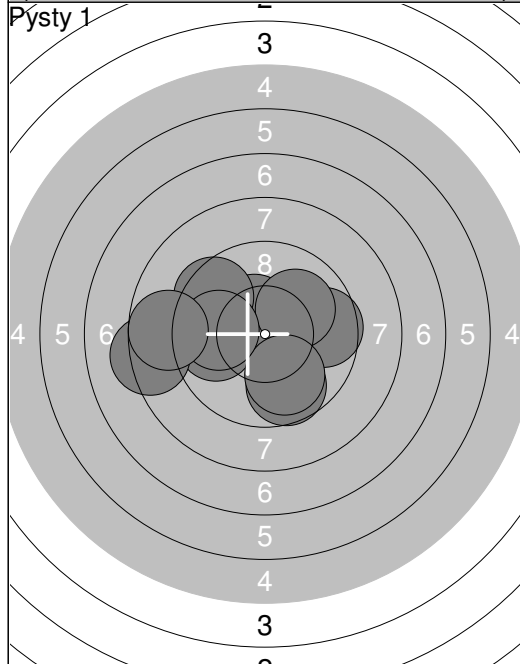
11:	*10.8	↖
12:	8.7	↗
13:	*10.6	↘
14:	9.1	↗
15:	10.1	↖
16:	8.7	↗
17:	10.1	↖
18:	*10.7	↖
19:	9.4	↗
20:	9.8	↖
Series		93.0
Total		579.0



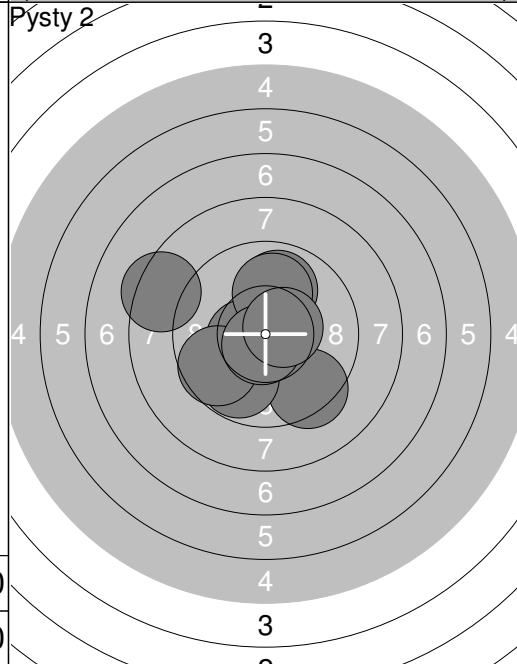
1:	*10.9 ↘
2:	10.0 →
3:	*10.4 ↘
4:	*10.5 →
5:	*10.8 ↗
6:	*10.4 →
7:	*10.3 ↘
8:	*10.7 ↘
9:	*10.4 ↗
10:	*10.6 ↘
Series 100.0	
Total 100.0	



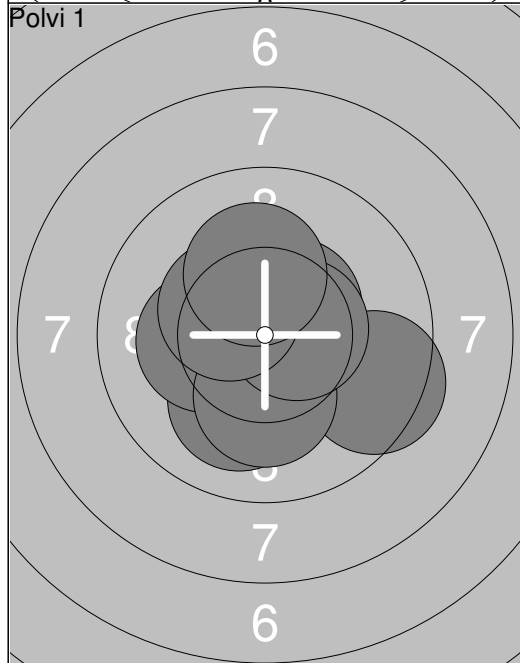
11:	*10.6 →
12:	*10.4 ↘
13:	9.9 ↘
14:	*10.8 ↘
15:	*10.8 ↘
16:	*10.4 →
17:	10.0 →
18:	*10.4 ←
19:	*10.7 ↘
20:	*10.5 ↘
Series 99.0	
Total 199.0	



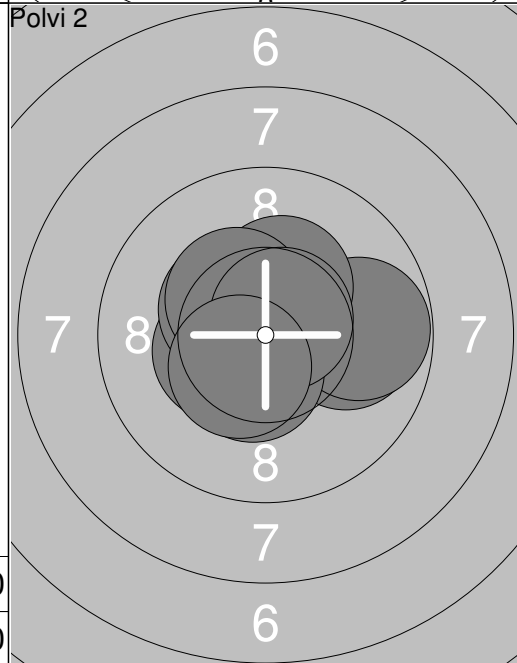
1:	*10.5 ↘
2:	9.8 ←
3:	9.5 ↗
4:	9.7 ↘
5:	9.6 →
6:	10.1 ↗
7:	9.9 ↘
8:	8.3 ←
9:	9.9 ←
10:	8.8 ←
Series 90.0	
Total 289.0	



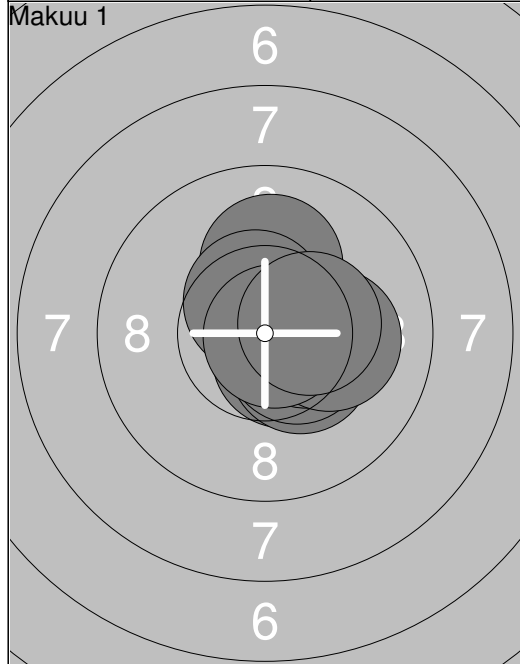
11:	*10.5 ↘
12:	9.9 ↑
13:	9.4 ↘
14:	8.4 ←
15:	*10.5 ↘
16:	10.0 ↑
17:	9.8 ↘
18:	9.6 ←
19:	*10.7 ↘
20:	*10.5 →
Series 94.0	
Total 383.0	



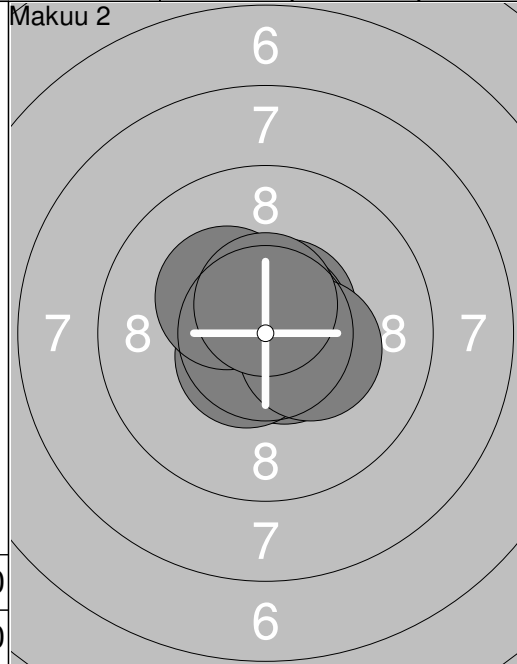
1:	*10.7 ↘
2:	10.1 ↘
3:	*10.5 ↗
4:	*10.2 ←
5:	9.5 →
6:	*10.7 →
7:	*10.2 ↘
8:	*10.6 →
9:	*10.4 ↘
10:	*10.2 ↗
Series 99.0	
Total 482.0	



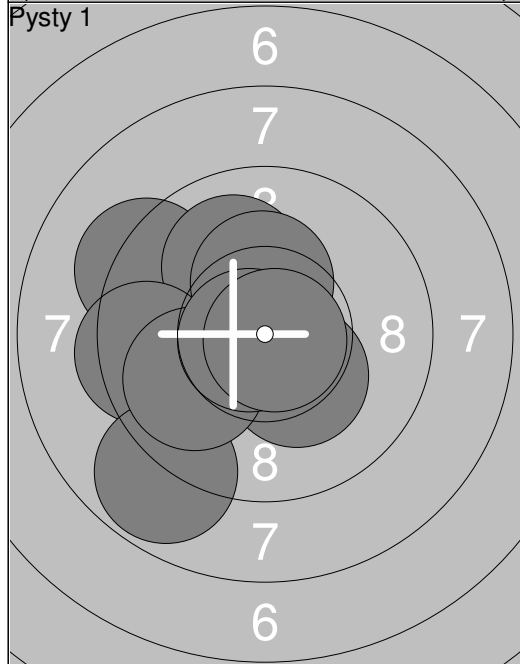
11:	*10.6 ↗
12:	*10.4 ←
13:	9.9 →
14:	9.8 →
15:	*10.4 ↘
16:	*10.3 ↗
17:	*10.4 ↘
18:	*10.5 ↘
19:	*10.7 ↗
20:	*10.5 ↘
Series 98.0	
Total 580.0	



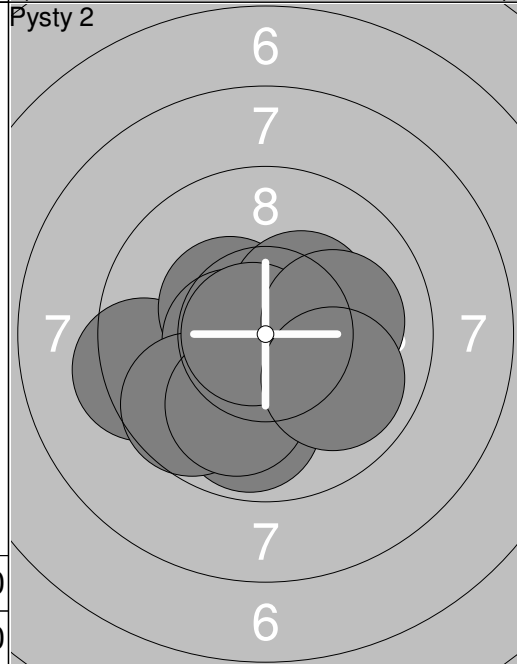
1:	10.1 ↑
2:	*10.6 ↘
3:	*10.8 ↗
4:	*10.4 ↘
5:	*10.5 ↘
6:	*10.5 ↑
7:	*10.4 →
8:	10.1 →
9:	*10.8 →
10:	*10.4 →
Series	100.0
Total	100.0



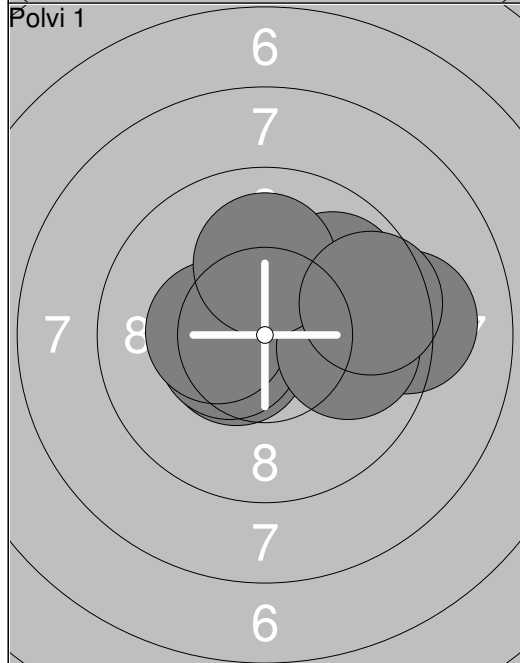
11:	*10.7 ↗
12:	*10.8 ↘
13:	*10.6 ↗
14:	*10.7 ↗
15:	*10.6 ↘
16:	*10.9 ↑
17:	*10.6 ↘
18:	*10.3 →
19:	*10.3 ↘
20:	*10.6 ↑
Series	100.0
Total	200.0



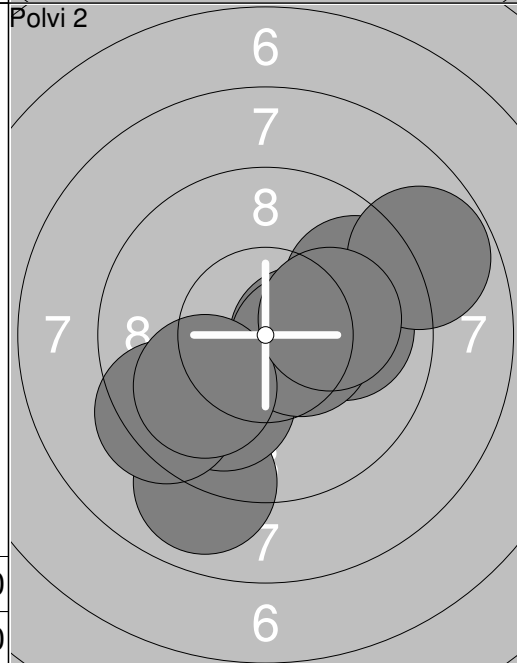
1:	9.3 ↖
2:	*10.7 ↘
3:	*10.3 ↘
4:	10.0 ↑
5:	9.5 ←
6:	8.8 ↘
7:	*10.3 ↑
8:	9.9 ↖
9:	*10.8 ↘
10:	*10.8 ↘
Series	95.0
Total	295.0



11:	9.4 ↖
12:	*10.4 ↘
13:	*10.5 ↘
14:	9.8 ↓
15:	*10.4 ↗
16:	9.7 ↘
17:	10.0 ↓
18:	*10.8 ↖
19:	10.1 →
20:	9.9 ↘
Series	96.0
Total	391.0



1:	*10.5 ↘
2:	9.9 ↗
3:	*10.7 ↖
4:	9.2 →
5:	*10.4 ↖
6:	*10.5 ↘
7:	*10.4 ↖
8:	9.9 →
9:	10.1 ↑
10:	9.6 →
Series	96.0
Total	487.0

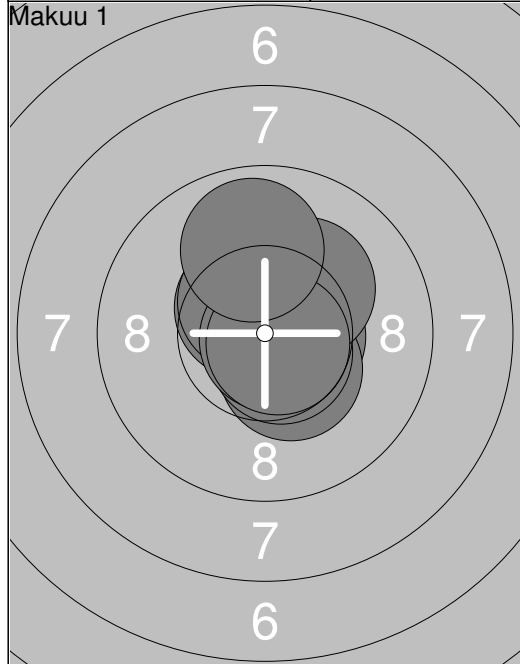


11:	9.7 ↗
12:	8.9 ↓
13:	10.0 →
14:	10.0 ↘
15:	9.4 ↖
16:	8.8 ↗
17:	*10.5 →
18:	*10.5 →
19:	10.0 ↖
20:	10.1 →
Series	94.0
Total	581.0

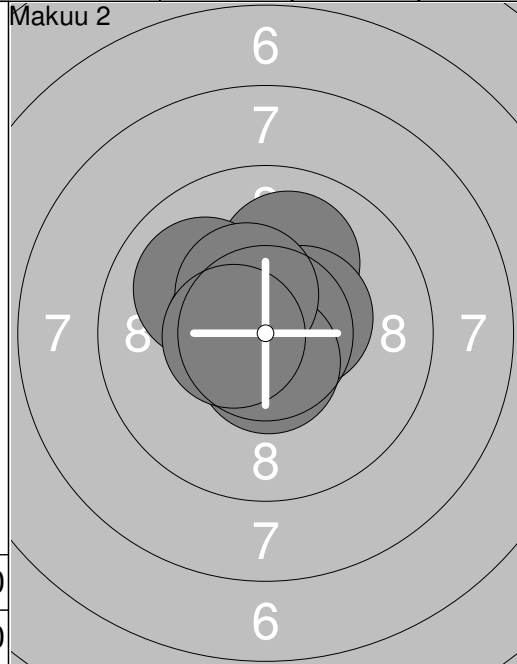
<p>Makuu 1</p>	<p>1: *10.6↑ 2: *10.2↑ 3: 9.8 ← 4: *10.7↘ 5: *10.3↘ 6: *10.4← 7: *10.8↘ 8: *10.2← 9: *10.2← 10: 10.1 ↓</p>	<p>Makuu 2</p>	<p>11: *10.7↗ 12: *10.6↓ 13: *10.7↗ 14: *10.4↗ 15: *10.6↗ 16: *10.8↓ 17: *10.9↘ 18: *10.6↘ 19: *10.6↑ 20: 9.9 ←</p>
Series 99.0	Series 99.0	Series 99.0	Series 99.0
Total 99.0	Total 99.0	Total 198.0	Total 198.0

<p>Pysty 1</p>	<p>1: 8.7 ← 2: *10.2↘ 3: 9.7 → 4: *10.3↗ 5: 9.4 ↑ 6: *10.3← 7: 10.0← 8: *10.3↓ 9: 9.4 ↓ 10: *10.5↗</p>	<p>Pysty 2</p>	<p>11: 9.0 ← 12: 8.9 ← 13: 9.7 ↘ 14: 9.8 ↑ 15: 9.0 ← 16: *10.5↘ 17: *10.4↗ 18: 10.1→ 19: 9.9 → 20: 8.9 ↑</p>
Series 95.0	Series 91.0	Series 91.0	Series 91.0
Total 293.0	Total 384.0	Total 384.0	Total 384.0

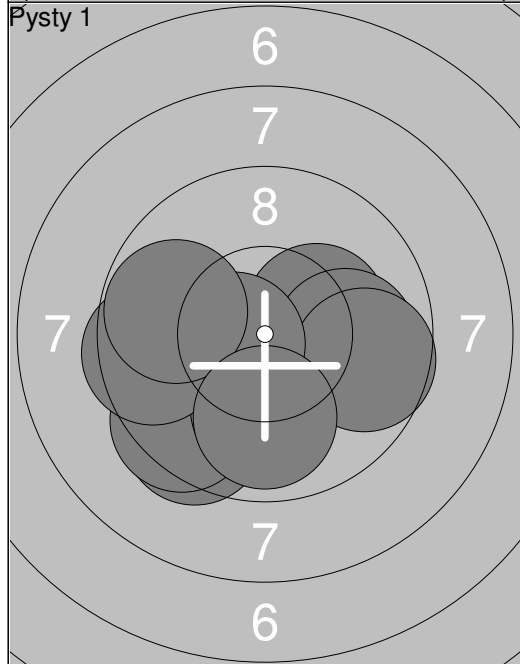
<p>Polvi 1</p>	<p>1: *10.3↘ 2: 9.2 ↓ 3: *10.6↘ 4: *10.2← 5: 9.7 ← 6: 9.6 ← 7: 10.0← 8: 9.6 → 9: 9.1 → 10: 9.5 ←</p>	<p>Polvi 2</p>	<p>11: *10.5↘ 12: *10.4↘ 13: 8.7 ← 14: *10.3↘ 15: *10.5↘ 16: 10.1→ 17: 9.7 ← 18: *10.2← 19: 10.0 ↓ 20: *10.5↘</p>
Series 94.0	Series 97.0	Series 97.0	Series 97.0
Total 478.0	Total 575.0	Total 575.0	Total 575.0



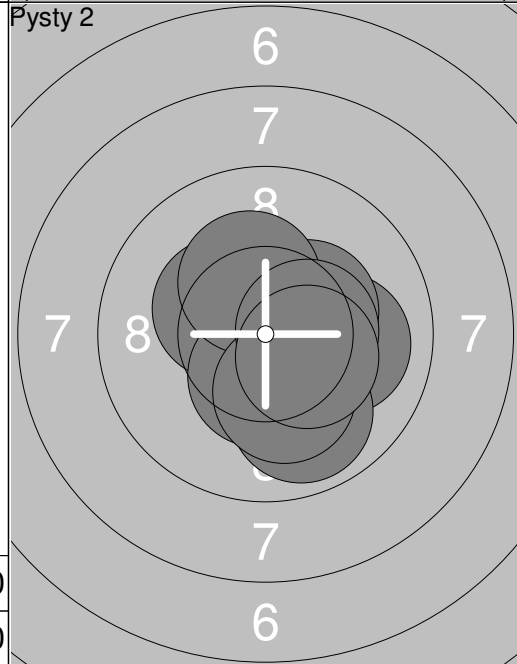
1:	*10.6 ↘
2:	*10.5 ↘
3:	*10.6 →
4:	*10.7 ↗
5:	*10.4 ↓
6:	*10.7 ↘
7:	*10.9 ↘
8:	*10.2 ↗
9:	*10.7 ↘
10:	9.9 ↑
Series 99.0	
Total 99.0	



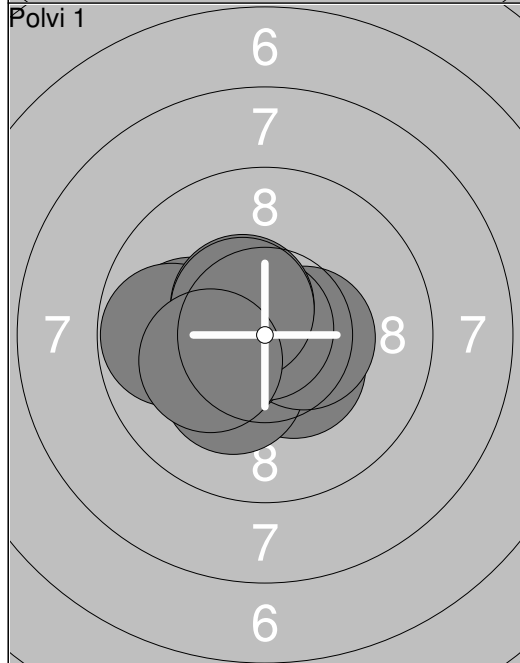
11:	*10.7 ↑
12:	10.0 ↑
13:	10.0 ↘
14:	*10.8 ↗
15:	*10.6 ↖
16:	*10.8 ↓
17:	*10.4 ↗
18:	*10.6 ↓
19:	*10.4 ↘
20:	*10.5 ↖
Series 100.0	
Total 199.0	



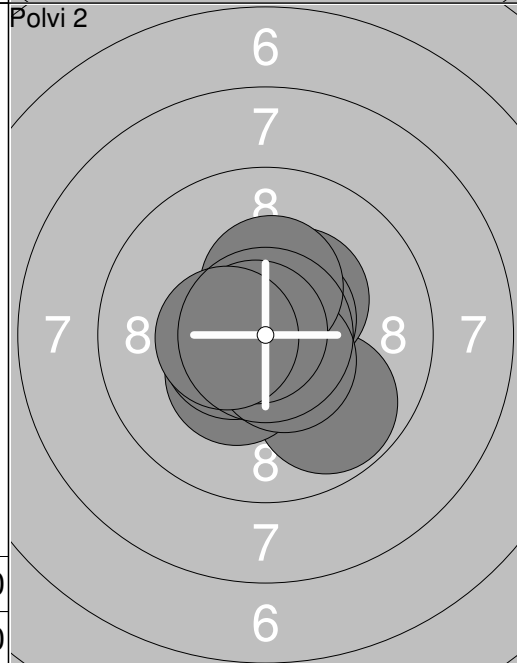
1:	9.4 ↓
2:	*10.3 →
3:	9.4 ↓
4:	9.9 →
5:	10.0 ↓
6:	9.7 →
7:	*10.6 ↖
8:	9.5 ←
9:	9.8 ←
10:	9.9 ↓
Series 93.0	
Total 292.0	



11:	10.0 →
12:	9.9 ↓
13:	*10.3 ↖
14:	*10.4 ↓
15:	*10.3 ↗
16:	*10.4 ↓
17:	*10.3 ↗
18:	*10.2 ↓
19:	*10.4 →
20:	*10.4 ↘
Series 99.0	
Total 391.0	



1:	10.0 ←
2:	*10.4 ↓
3:	*10.2 ↓
4:	*10.5 →
5:	*10.4 ↖
6:	9.8 ←
7:	*10.8 ↘
8:	*10.5 ↘
9:	*10.5 ↘
10:	*10.2 ↖
Series 99.0	
Total 490.0	



11:	9.8 ↓
12:	*10.4 ↗
13:	*10.6 ↗
14:	*10.7 ↗
15:	*10.4 ↓
16:	*10.5 ↖
17:	*10.5 ↓
18:	*10.4 ↑
19:	*10.8 ↖
20:	*10.5 ↖
Series 99.0	
Total 589.0	